

Engine Waste Heat Recovery Concept Demonstration

Enabling Technology to Achieve Class 8 Fuel Economy Goals

Poster Location #P-13

Ho Teng, Talus Park, Jeffrey Klaver, Bryan Van der Velde, Gary Hunter

AVL Powertrain Engineering

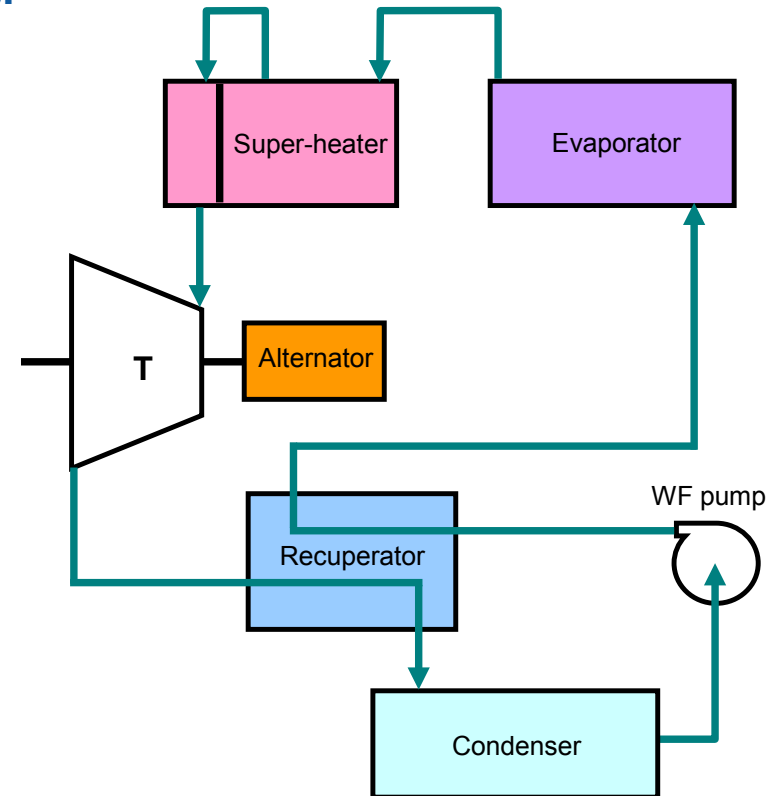
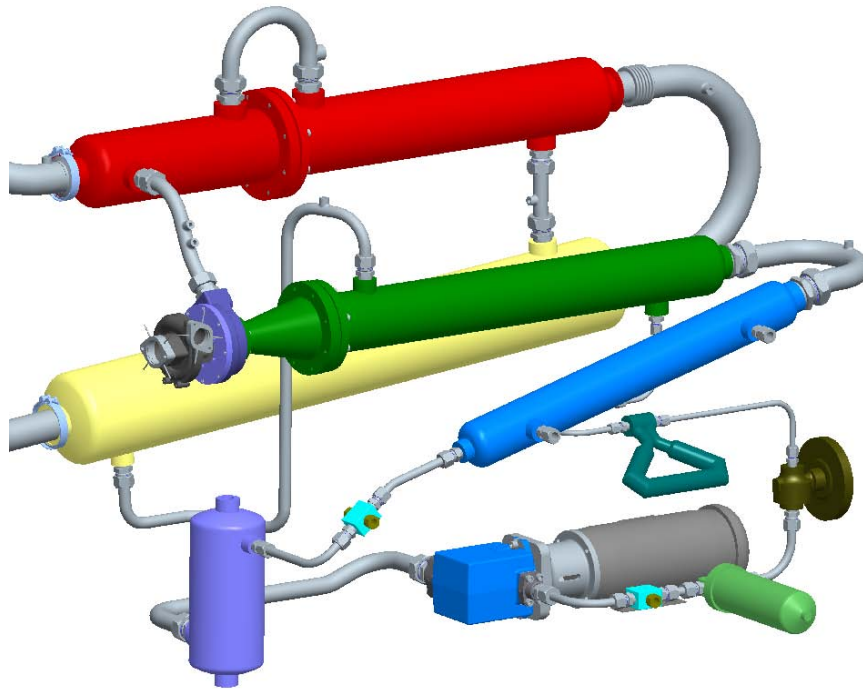
Plymouth, MI

talus.park@avl.com

734.446.4262

Waste Heat Recovery Project Overview

- Functional system recovers waste heat from multiple sources on a Diesel engine.
- Ethanol demonstrated as a viable working fluid for Rankine cycle.
- Fuel consumption improvement of 3-5%.



Poster Location #P-13