

Development of Urea Dosing System for 10 liter Heavy Duty Diesel Engine Powered Vehicle

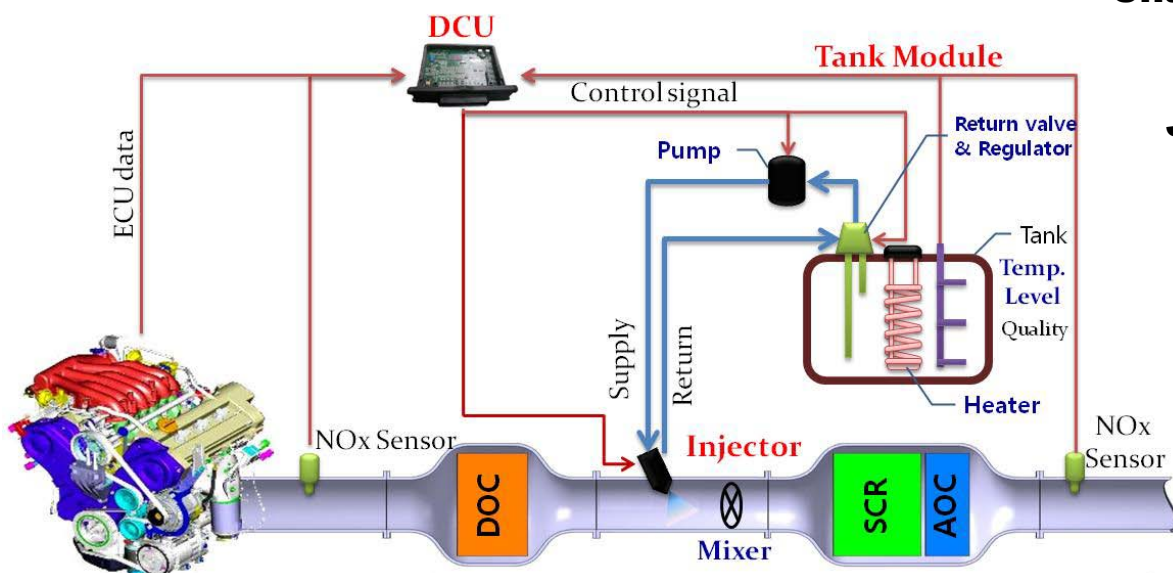
Chunhwan Lee

and Chunbeom Lee, Deokjin Kim, Kwangchul Oh, Bongsu Kwon

Korea Automotive Technology Institute (KATECH)

**Changhwan Lee, Chanyeon Hwang
Hanex**

**Jaekyoung Kim, Kyungnam Kim
Motonic**



**Fund Source : Korea Government (Ministry of Environment)
Supported by Center for Environmental Friendly Vehicle**



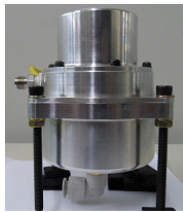
Dosing Part : Injector, Pump, Regulator, Mixer
Tank Module : Level/Temp. Sensor module
Heater, Connector, Hoses
Controller : System Model & Control Algorithm



- Open /Closed Loop,
- External Manual Control
- MCU : 16bit w/CAN, RS232, ICSP
- NOx Sensor : 2 channel protocol



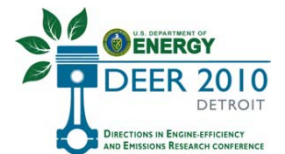
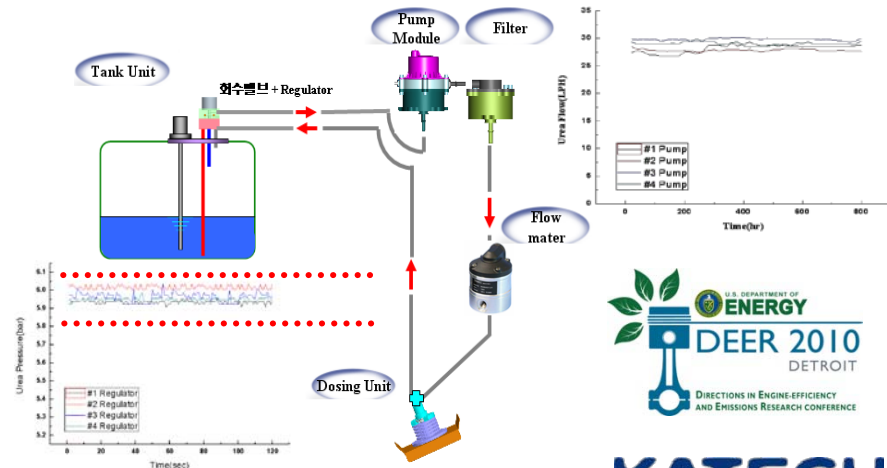
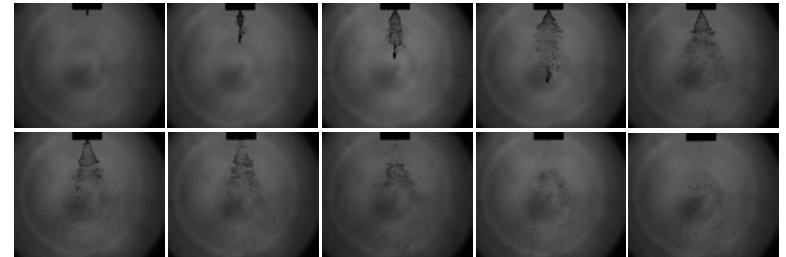
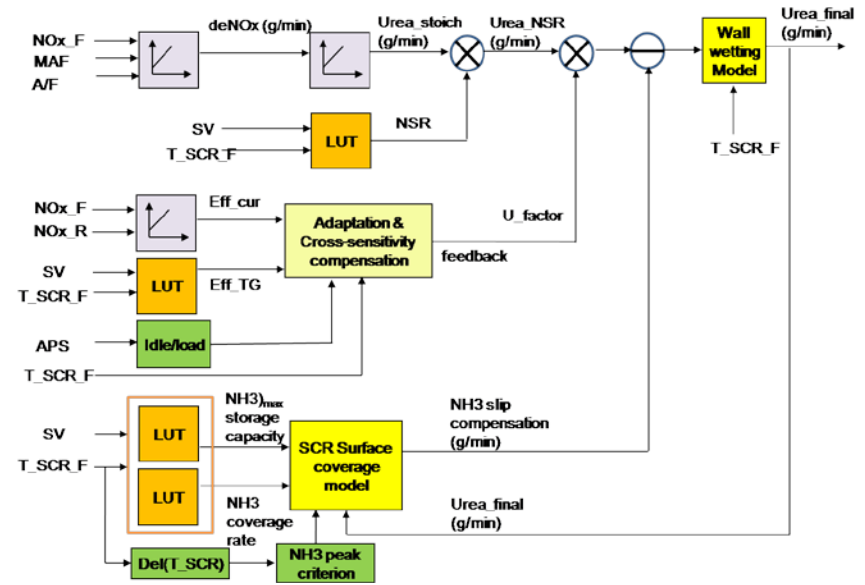
- Airless Type Solenoid Actuation (PWM)
- Fast responsibility & Small SMD
- Operation speed : below 2.5msec / 2.0msec



- Type : BLDC Diaphragm PUMP
- Outlet Pressure : Max. 6~10 bar
- Low power consumption : 13w
- Flow rate: 20 liter/hr



- Regulating : 6bar±5% @ 20liter/hr
- Pressure Sensor : 0~15bar
- Temp. Sensor : NTC Type(-30~130°C)



KATECH