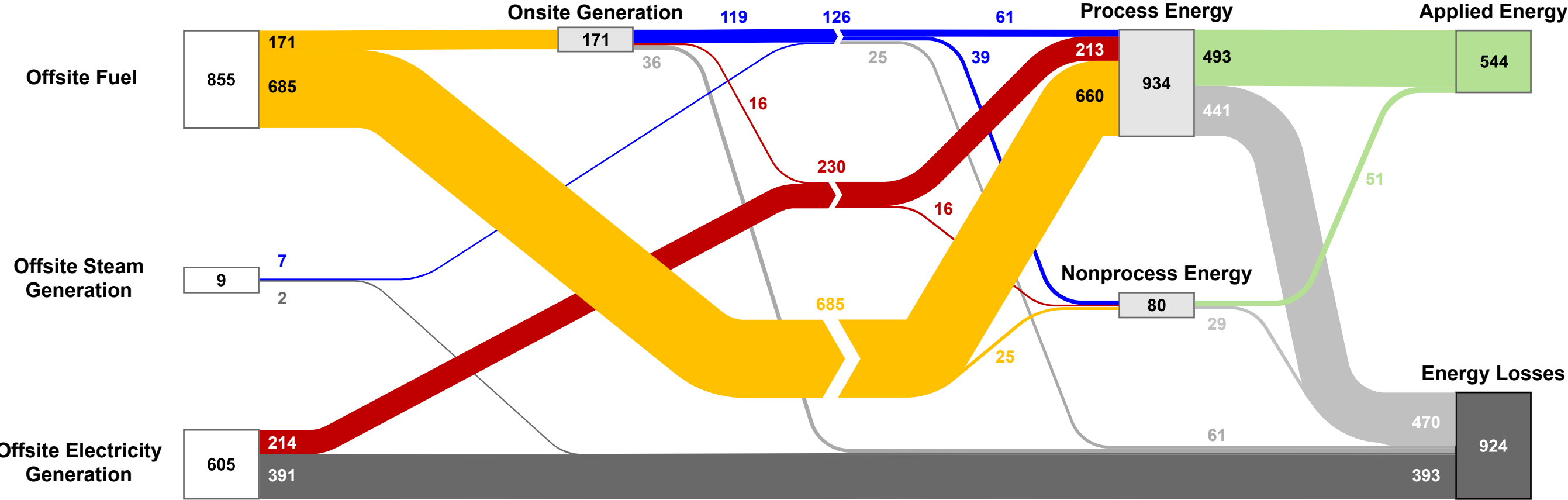


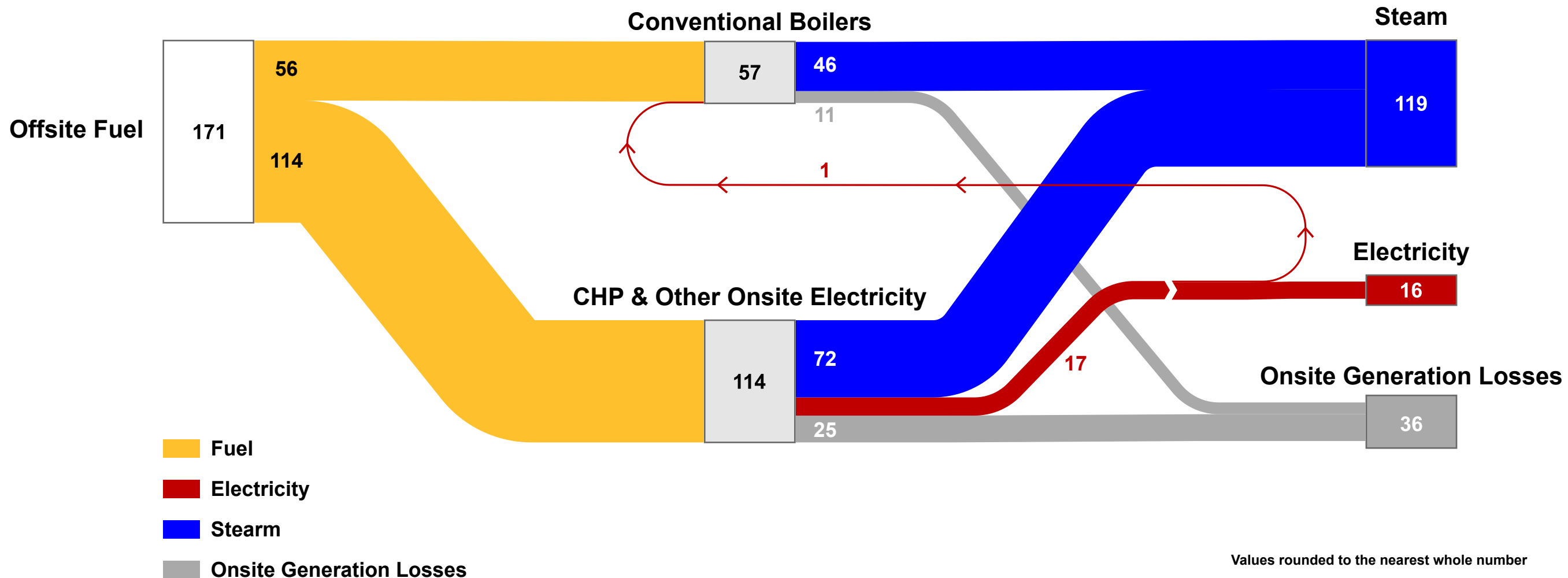
# Iron and Steel (NAICS 331110, 3312) Energy Consumption and Loss (TBtu), 2018



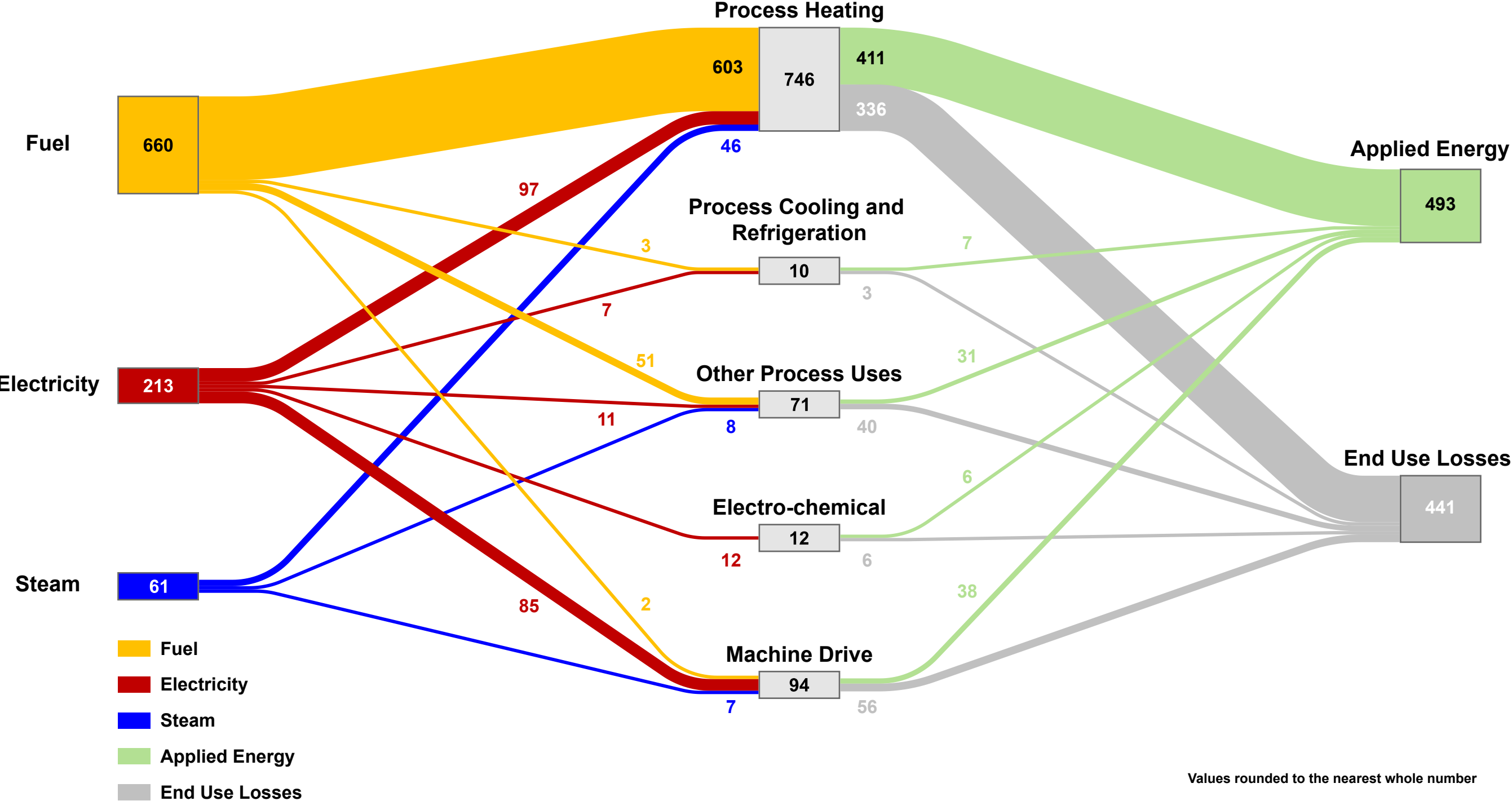
- Fuel
- Electricity
- Steam
- Applied Energy
- Offsite Generation and Transmission Losses
- Onsite Generation and Distribution Losses
- End Use Losses

Values rounded to the nearest whole number

# Iron and Steel (NAICS 33110, 3312) Onsite Generation (TBtu), 2018



# Iron and Steel (NAICS 331110, 3312) Process Energy (TBtu), 2018



Values rounded to the nearest whole number

# Iron and Steel (NAICS 331110, 3312) Nonprocess Energy (TBtu), 2018

