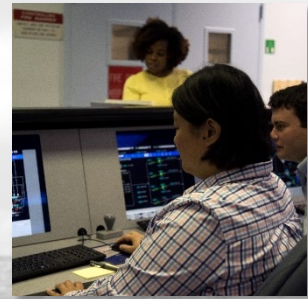


January 16, 2020

DEVELOPMENT OF THE SAVANNAH RIVER SITE F-AREA TANK FARM CLOSURE STRATEGY

Ben Dean
Waste Disposal Authority
Savannah River Site



SRR-CWDA-2020-00009

- Discuss considerations for development of a strategy for overall final closure of the entire F-Tank Farm (FTF) at Savannah River Site
- The strategy document will support completion of an SRS Federal Facility Agreement commitment to issue a “F-Tank Farm (FTF) Deactivation Plan” by June 30, 2020
- The scope of this strategy document must go beyond just the plans for operational closure of the remaining 16 FTF waste tanks but must also address the closure strategy for all the ancillary structures, process equipment, support facilities, and all other systems/structures located within the FTF boundary

FTF Today



FTF @ Closure (example)



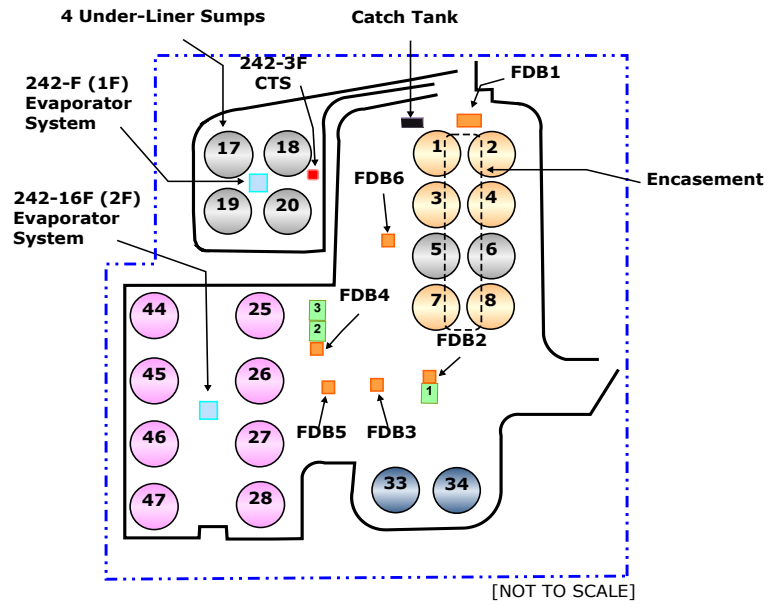
Note: Area/Structures surrounding FTF would be closed as part of a larger F-Area closure process

F-Area Tank Farm



Legend:

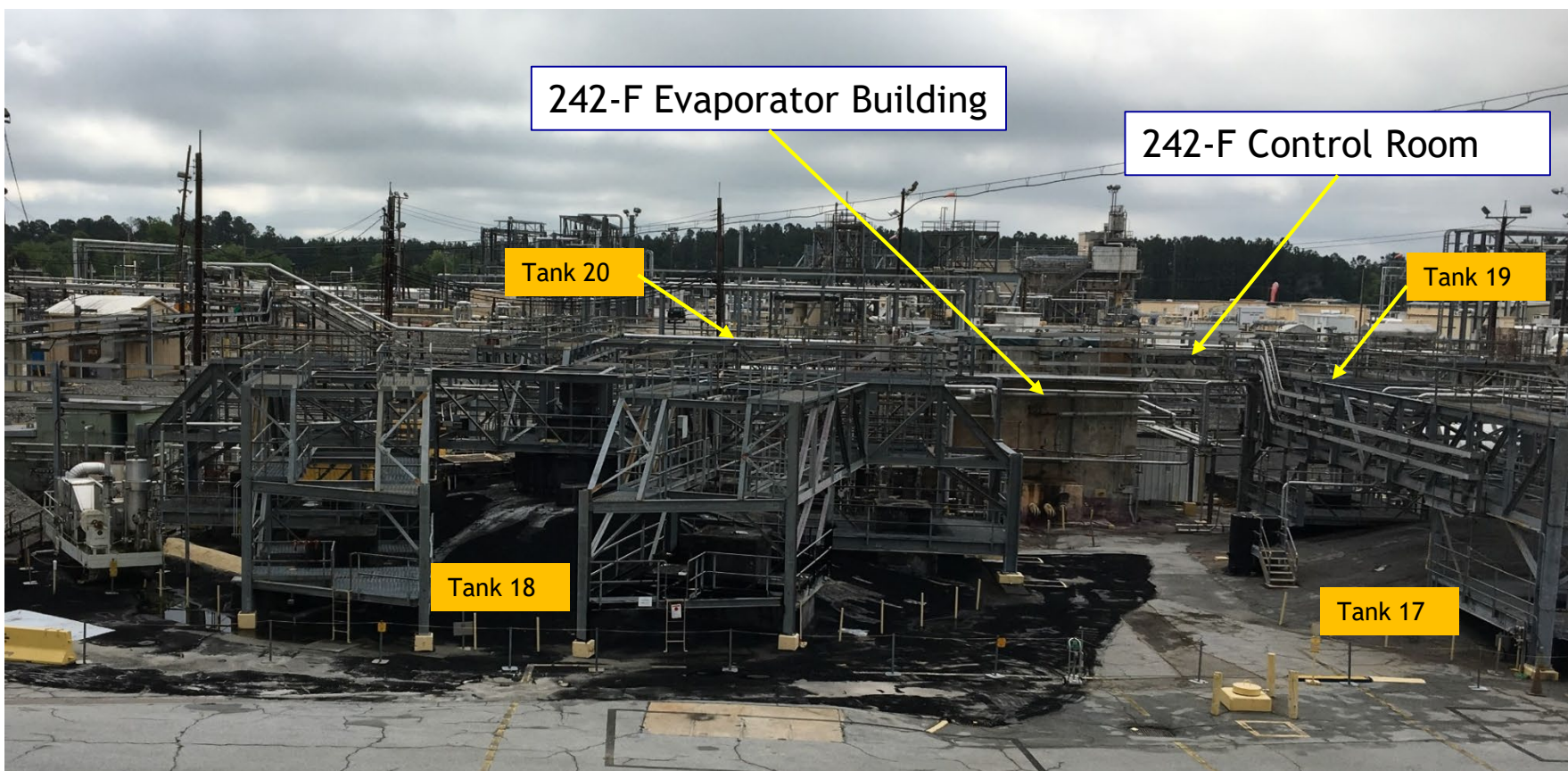
- Type I Waste Tank
- Type III Waste Tank
- Type IIIA Waste Tank
- Type IV Waste Tank
- Operationally Closed Tank
- Pump Pit
- Diversion Box
- CTS Pump Pit
- Catch Tank
- Evaporator System
- Encloses Area of Same Elevation
- - - Tank Farm Boundary



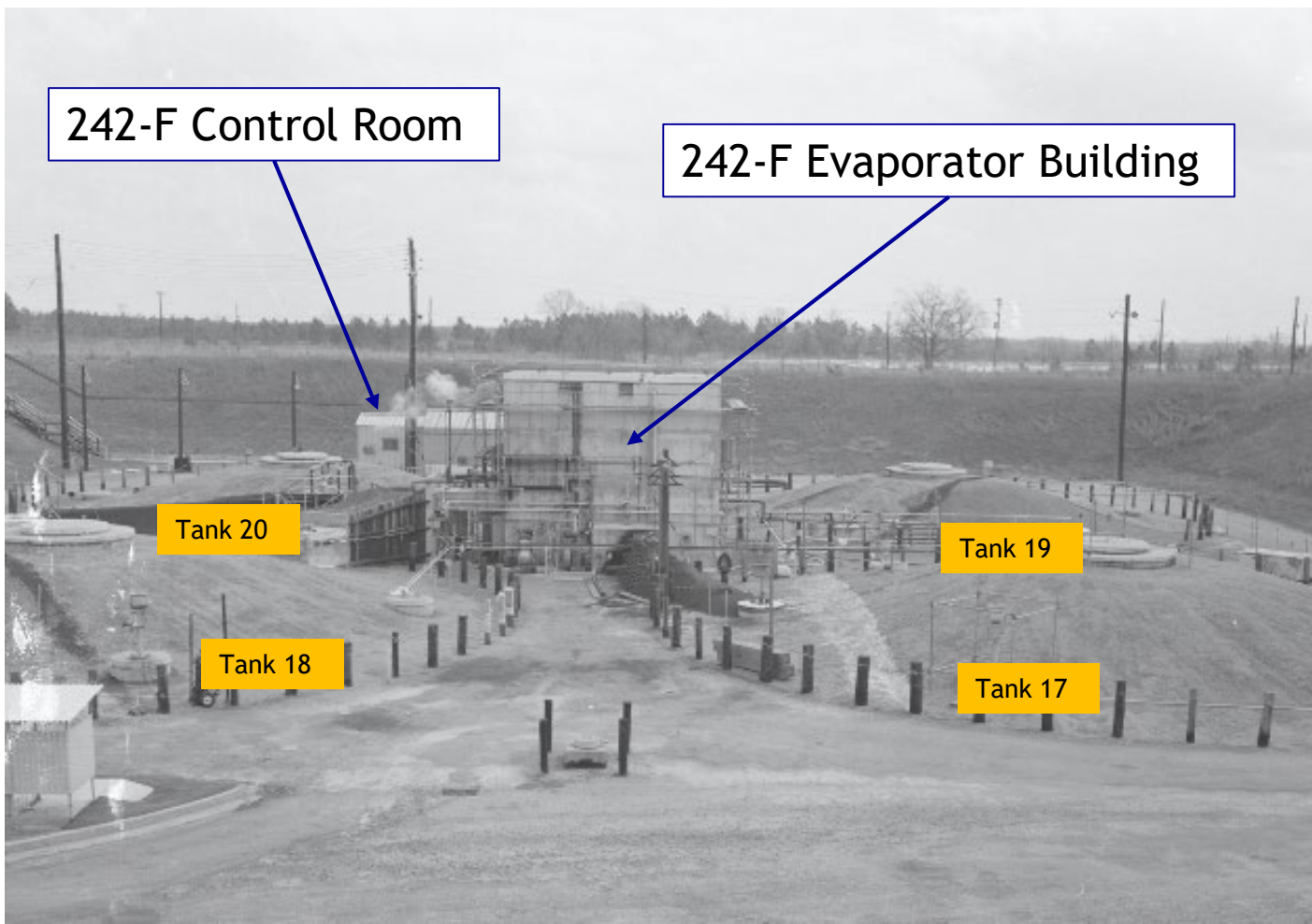
- **Ancillary Structures**
 - Diversion Boxes
 - Evaporators
 - and others as defined in the “Consolidated General Closure Plan”
- **Buildings**
 - Control Rooms
 - Maintenance/operations
 - and others
- **and other stuff**



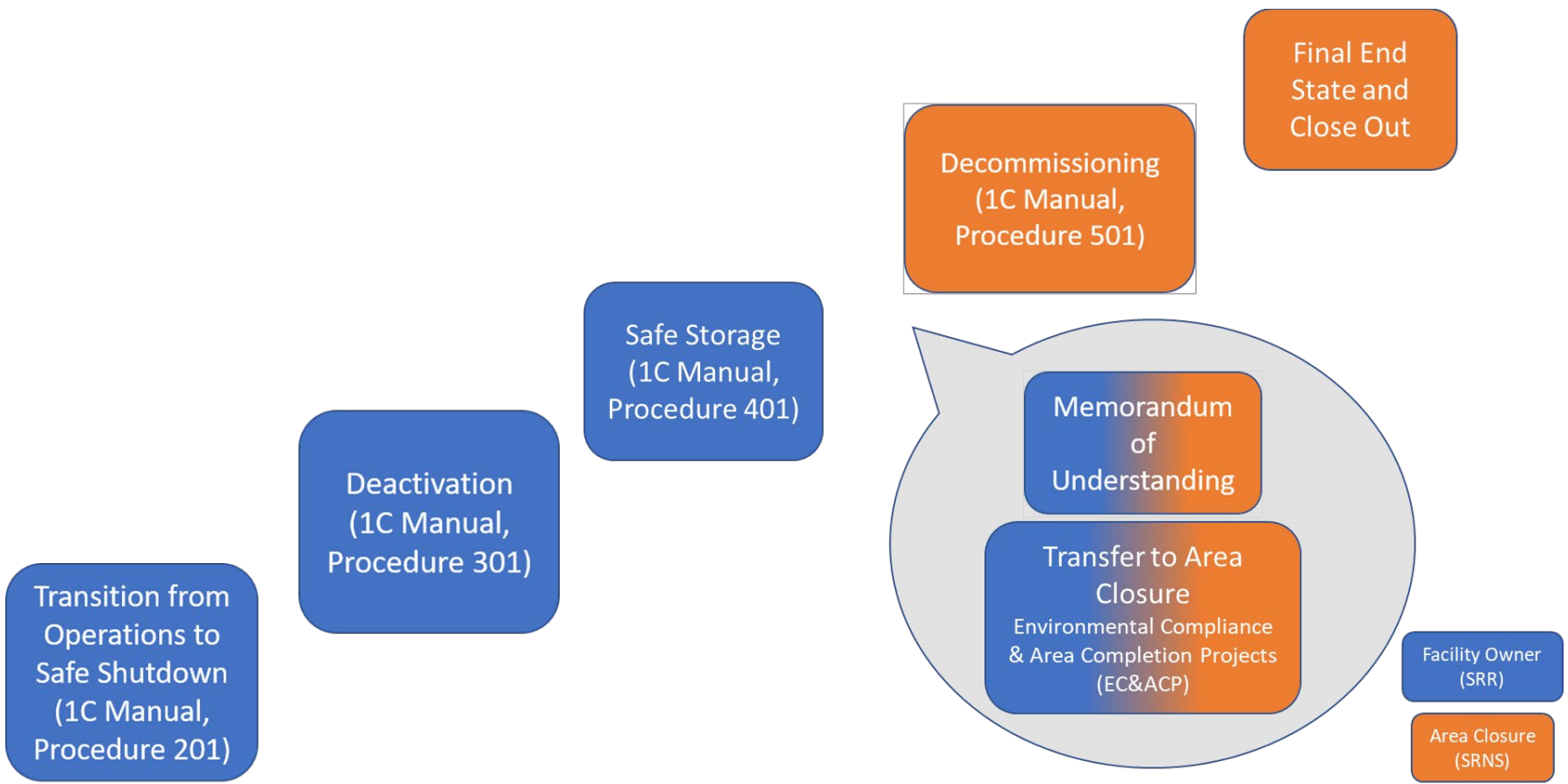
242-F Evaporator Current State Looking South



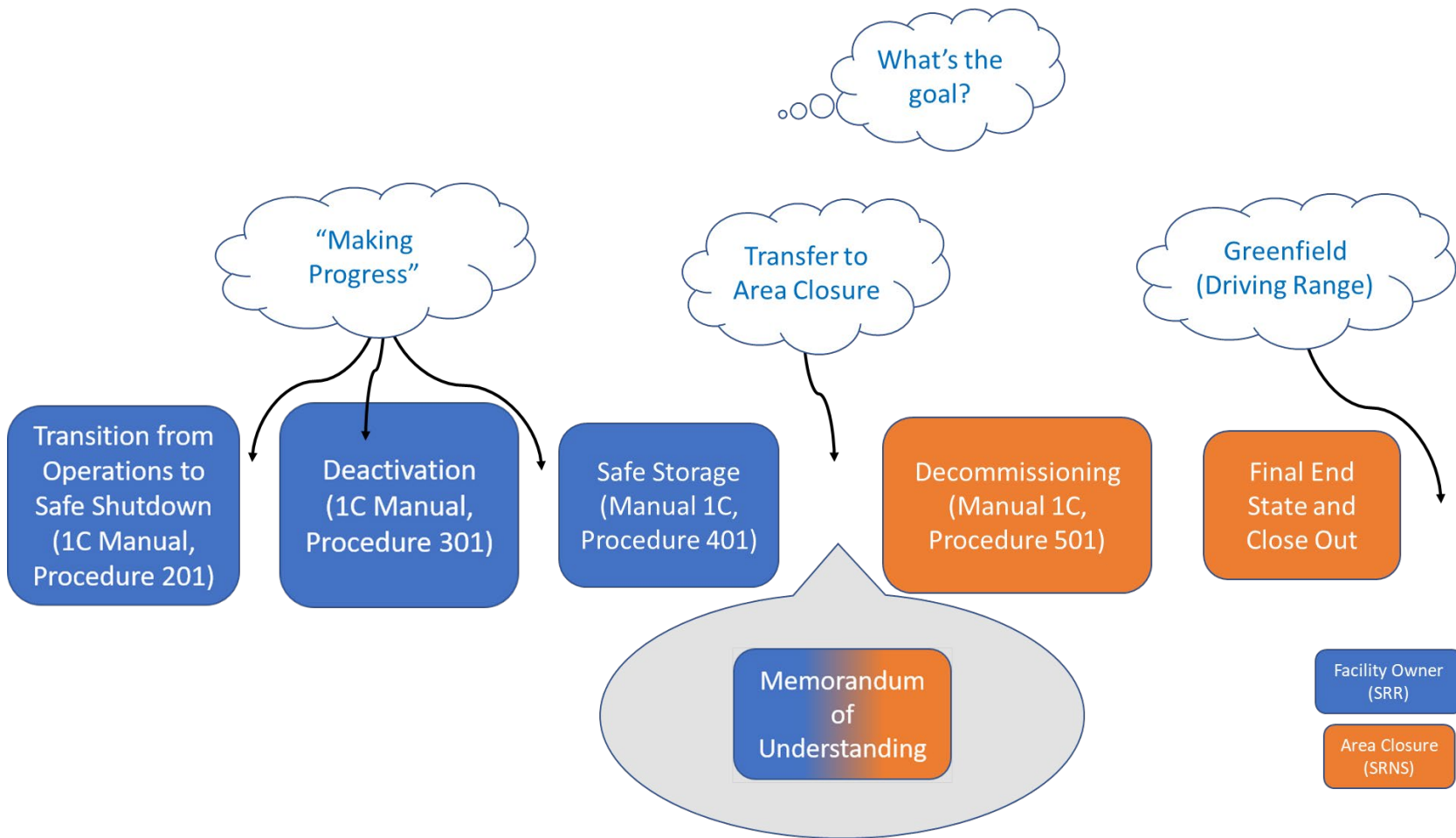
242-F Evaporator Construction Looking South



Facility Disposition Process




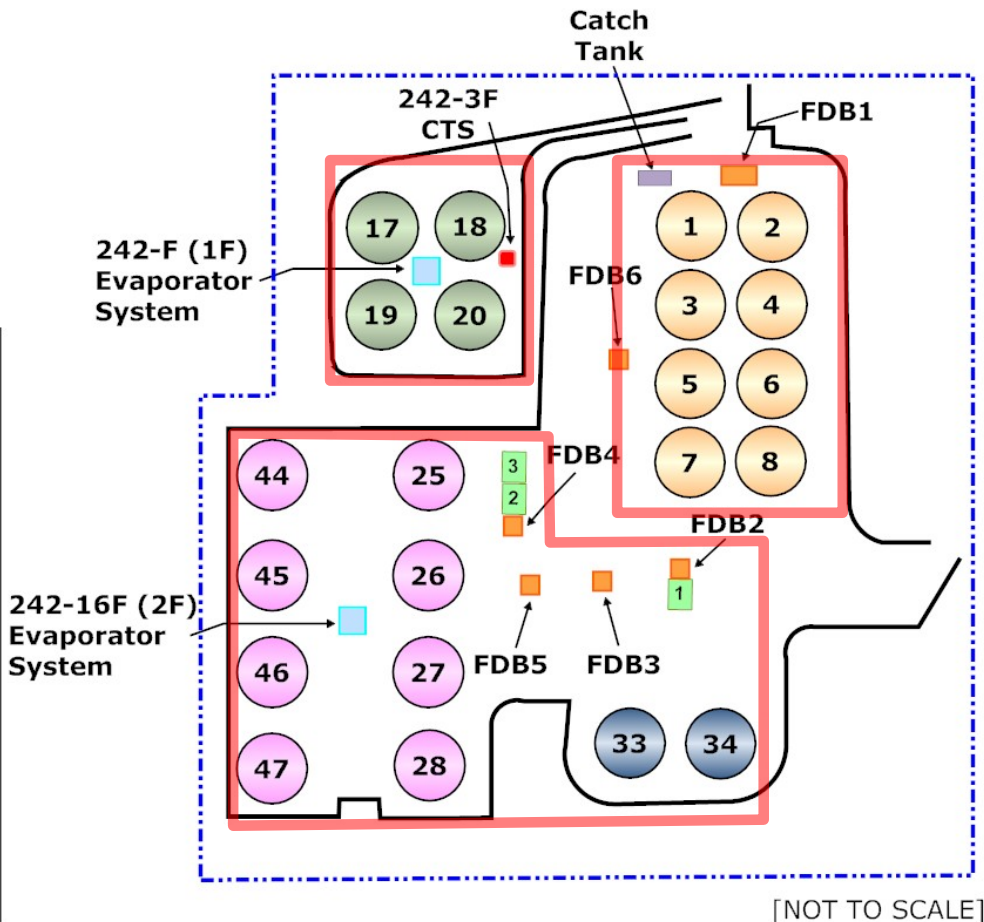
Facility Disposition Process



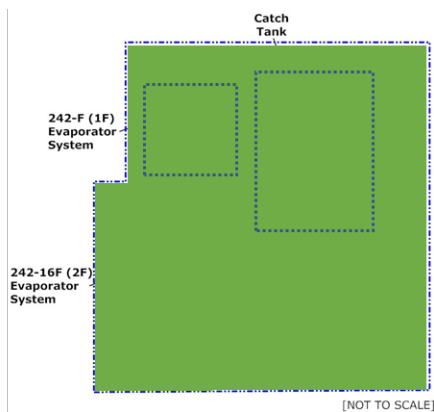
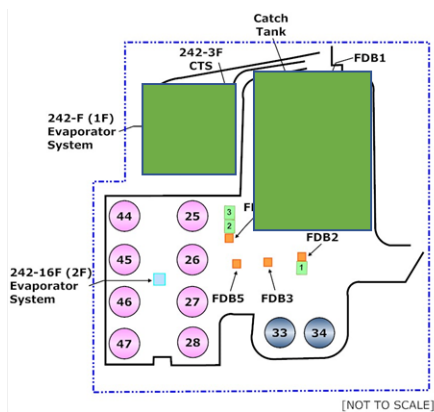
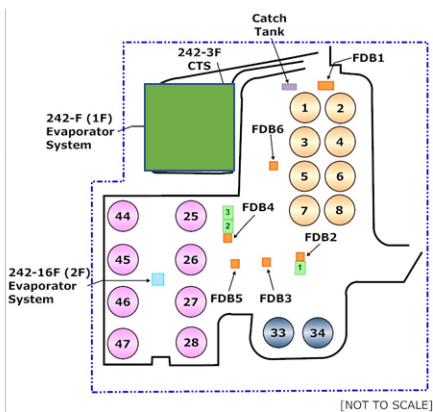
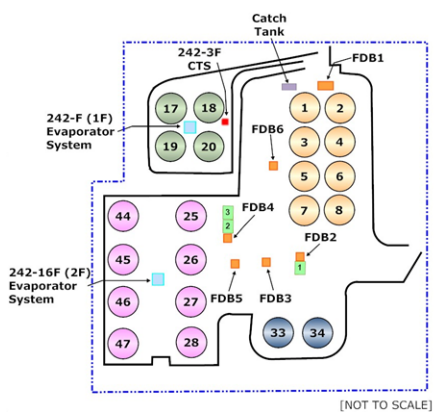
F-Tank Farm Sections/Waste Tank Groupings

Legend:

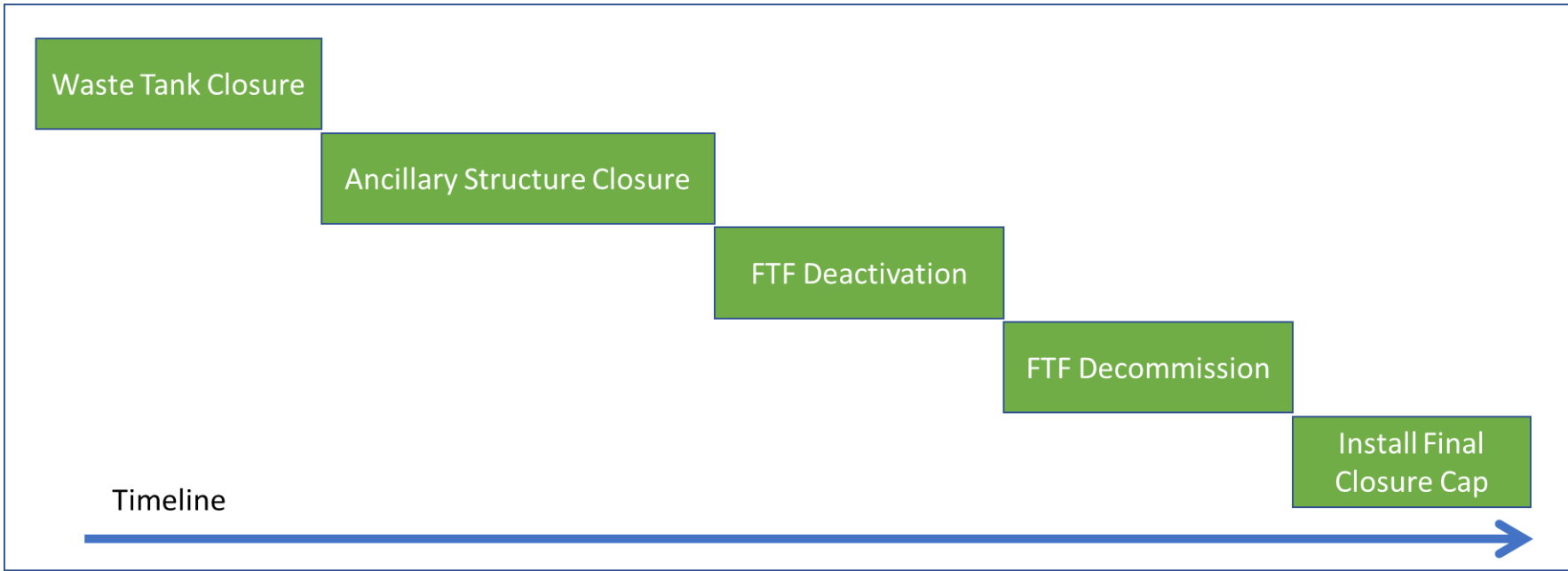
- Type I Storage Tank
- Type III Storage Tank
- Type IIIA Storage Tank
- Type IV Storage Tank
- Pump Pit
- Diversion Box
- CTS Pump Pit
- Catch Tank
- Evaporator System
- Encloses Area of Same Elevation
- Tank Farm Boundary

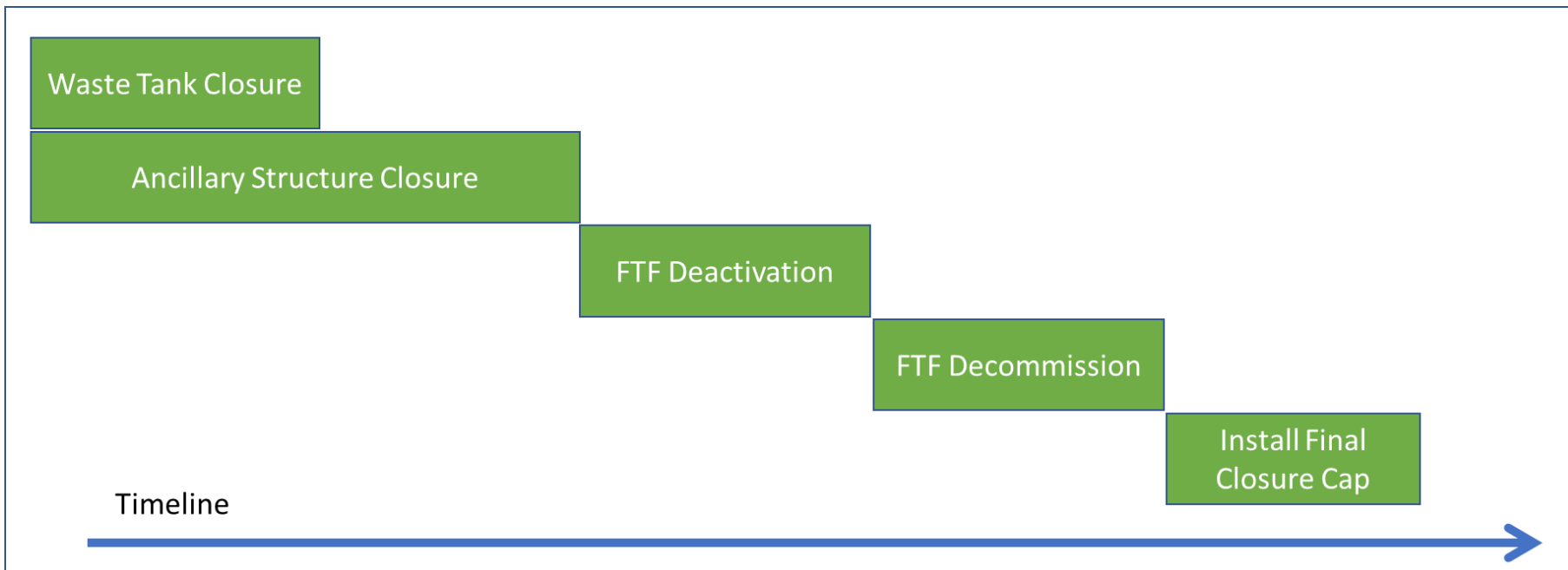
Possible F-Tank Farm Interim Closure Caps



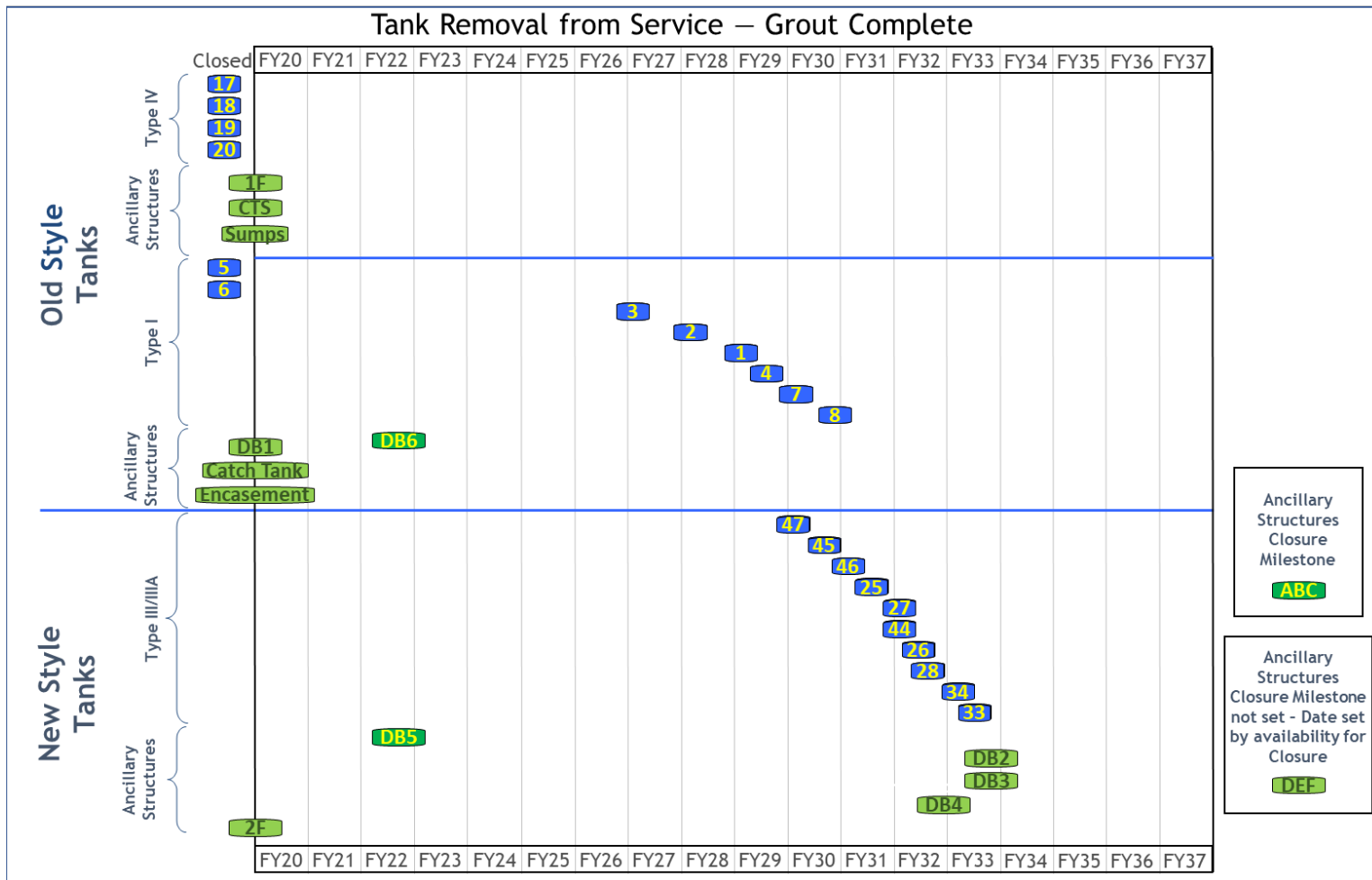
Simple Disposition Process



Disposition Process Options



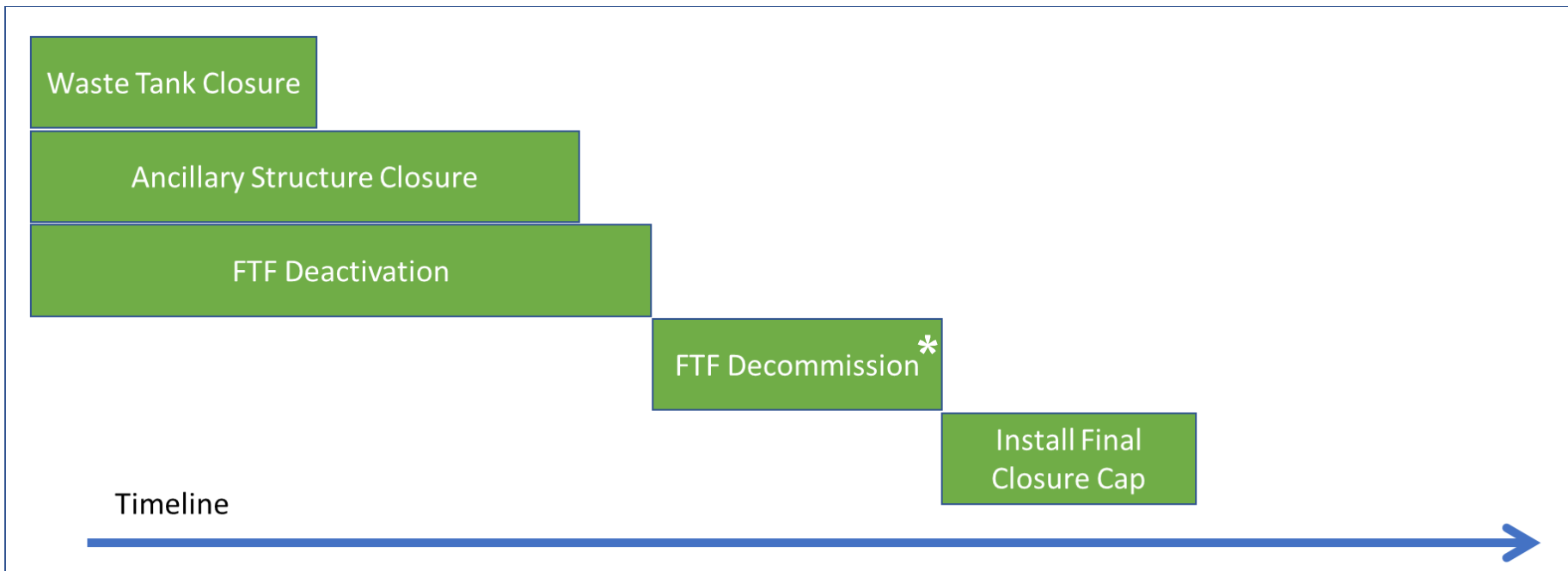
Timeframe Between Section Completion



Ancillary Structures Closure Milestone
ABC

Ancillary Structures Closure Milestone not set - Date set by availability for Closure
DEF

Disposition Process Options

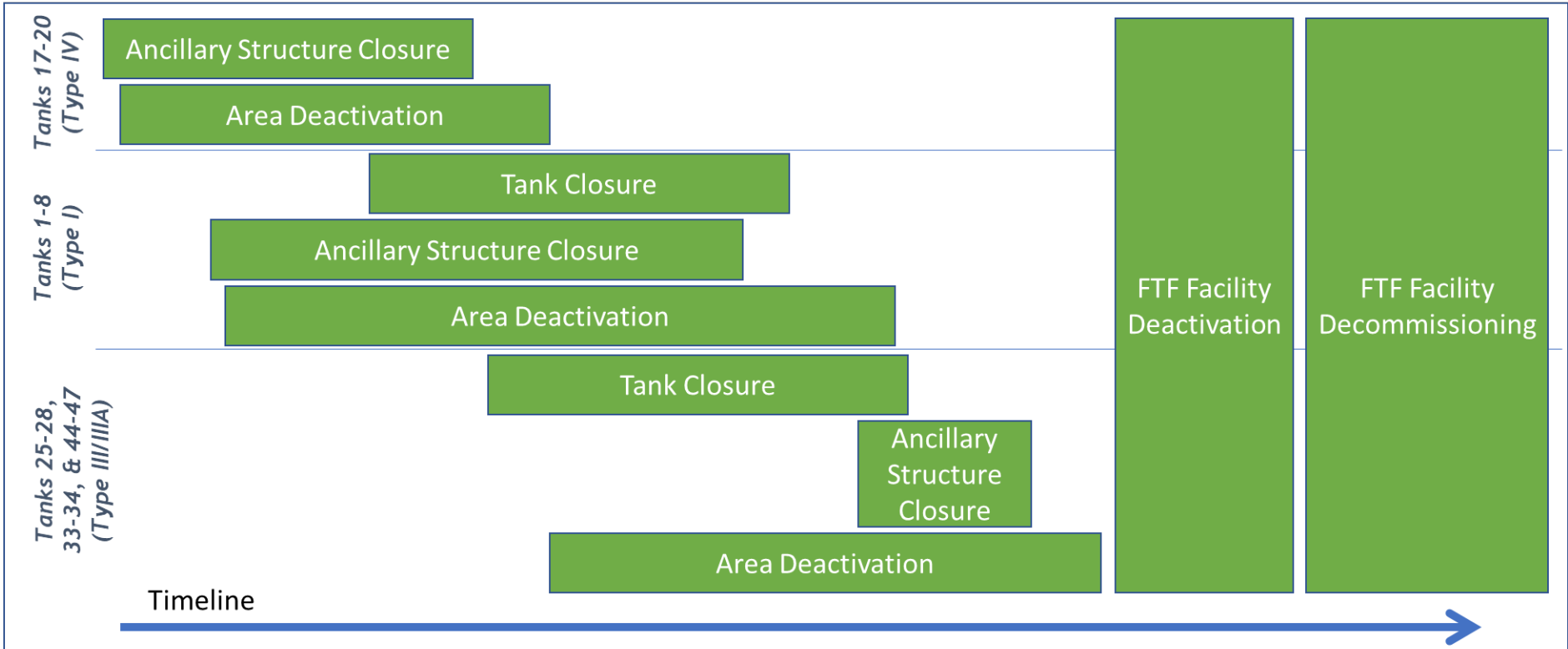


* The more equipment, structures, etc., dispositioned ahead of time during Deactivation, the greater the potential to reduce the time required for Decommissioning.

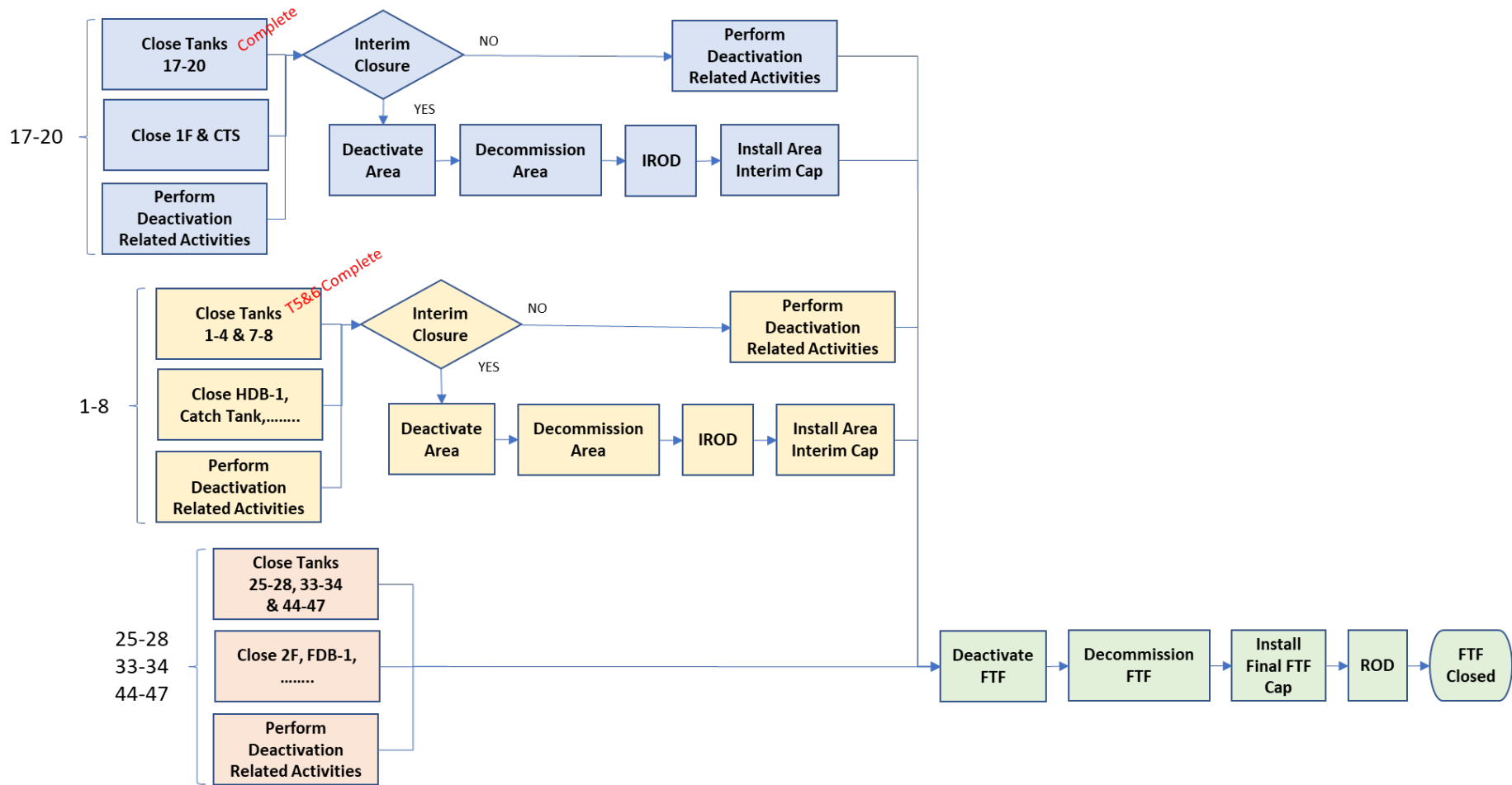
What could be done in the meantime?



Disposition Process Options



Disposition Process Options



Questions?