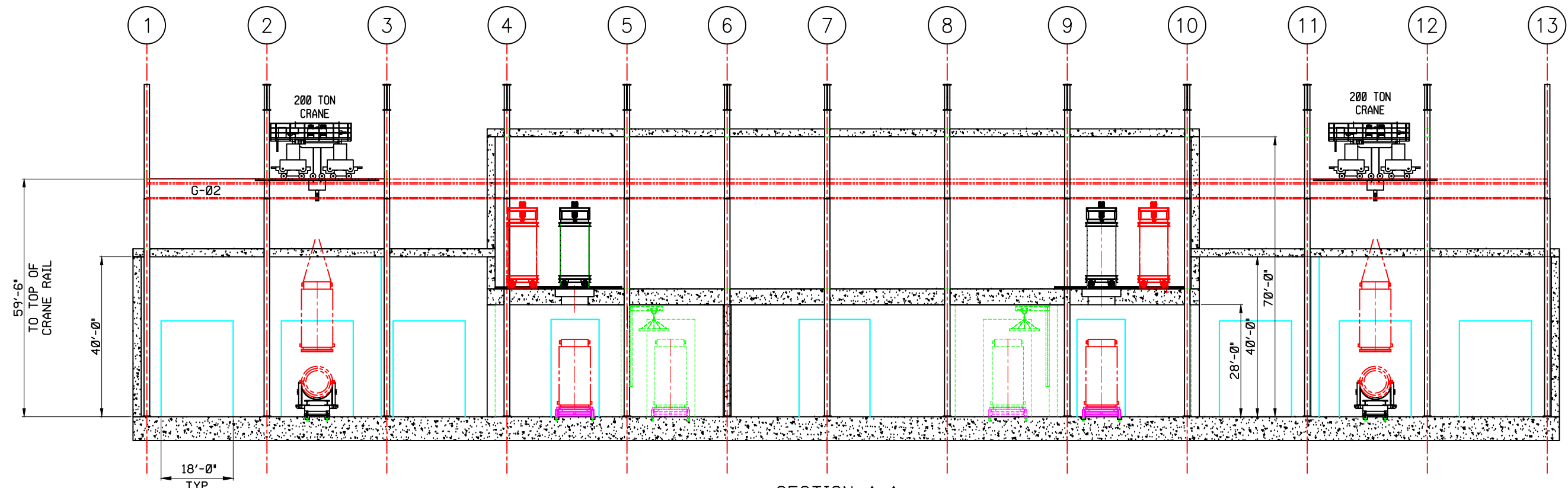
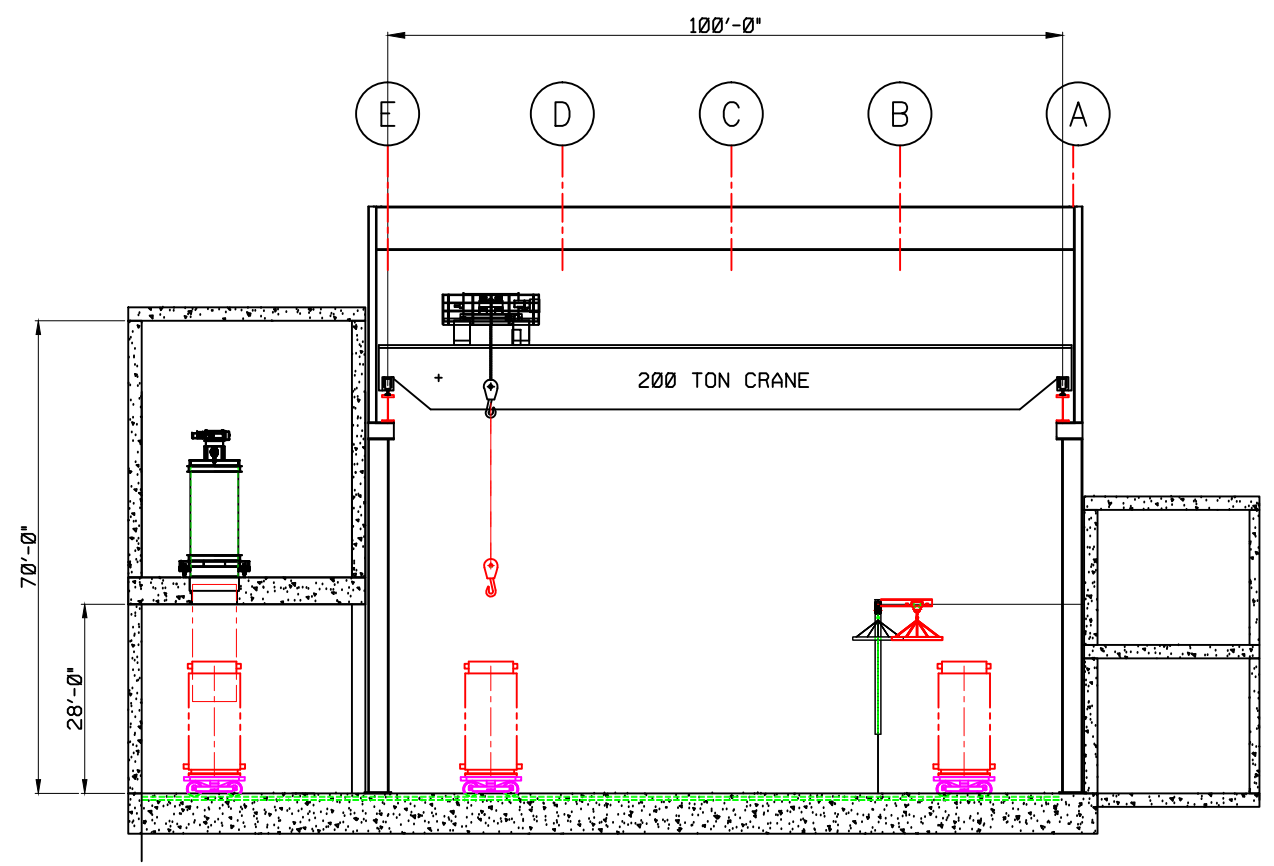


U.S. Department of Energy
 Task Order #16
 Development of Consolidated
 Storage Facility Design Concepts

CASK HANDLING BUILDING PLAN
 CHB-CPAD, CSTDB, CAGVD, CBGVD | T016-S1-CPAD-CHB-1



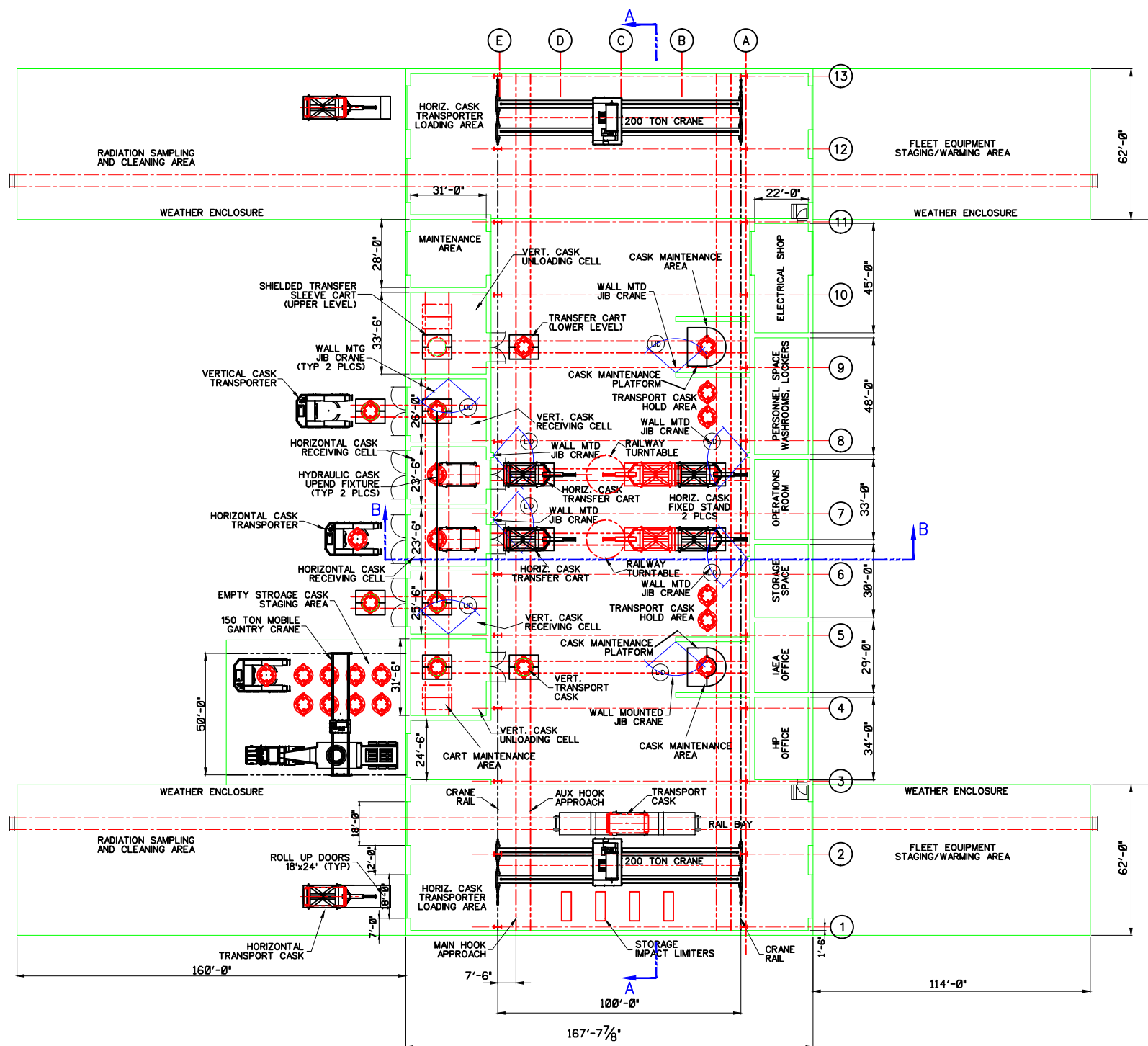
SECTION A-A
LOOKING WEST



SECTION B-B
LOOKING NORTH



U.S. Department of Energy
Task Order #16
Development of Consolidated
Storage Facility Design Concepts

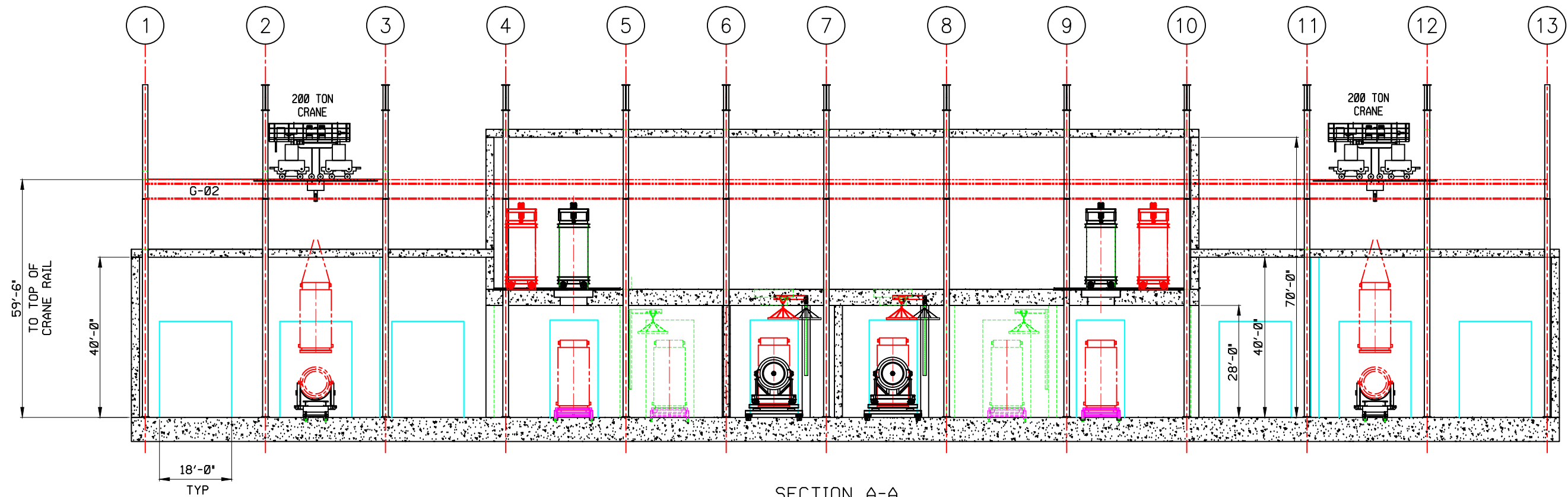


U.S. Department of Energy
 Task Order #16
 Development of Consolidated
 Storage Facility Design Concepts

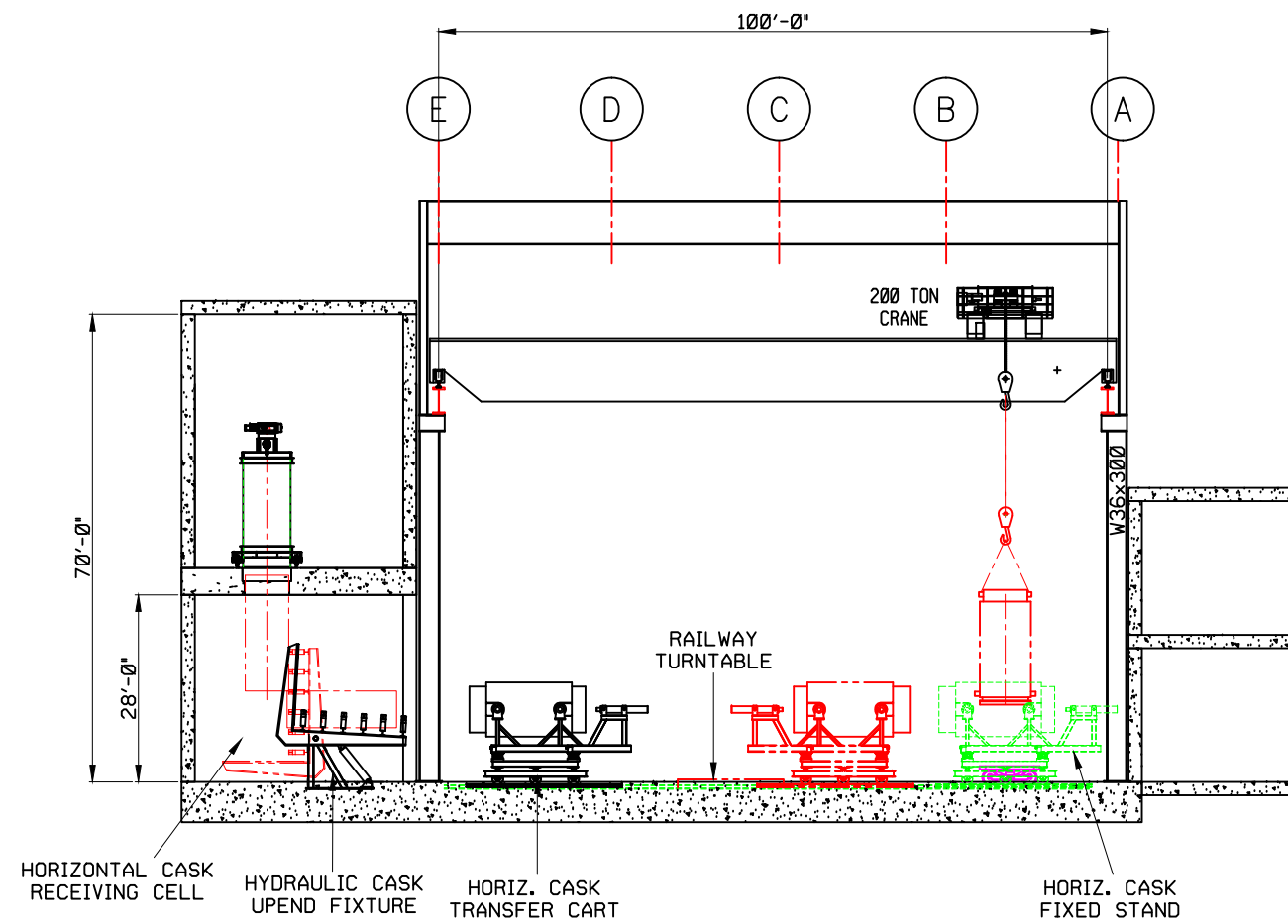
CASK HANDLING BUILDING PLAN

CHB-CSTDA,CSTDC,CUGS,CAGVC,CBGVC

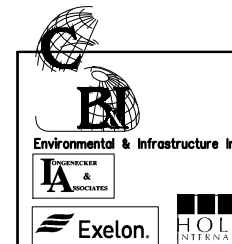
TO16-S1-CPAD-CHB-3



SECTION A-A
LOOKING WEST



SECTION B-B
LOOKING NORTH

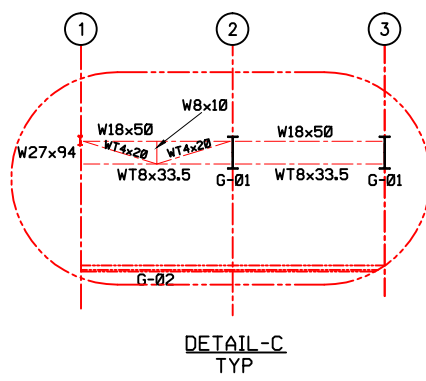
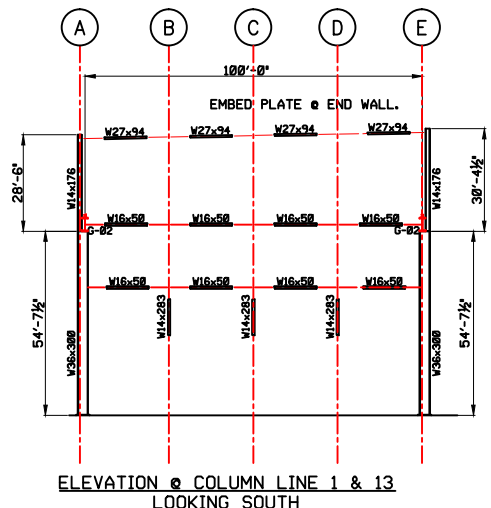
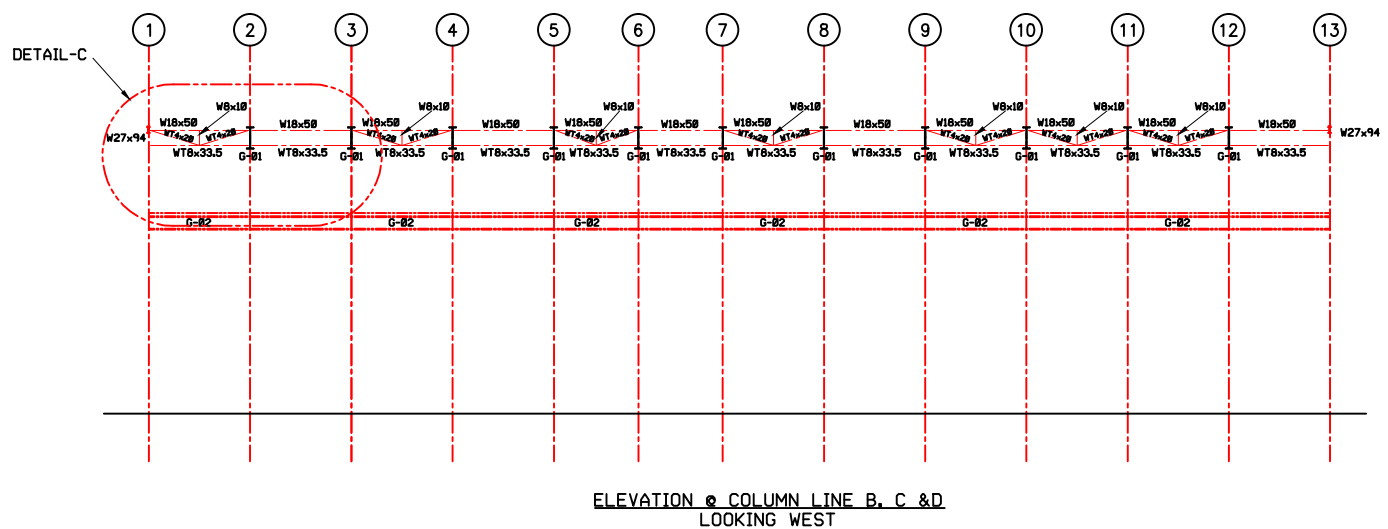
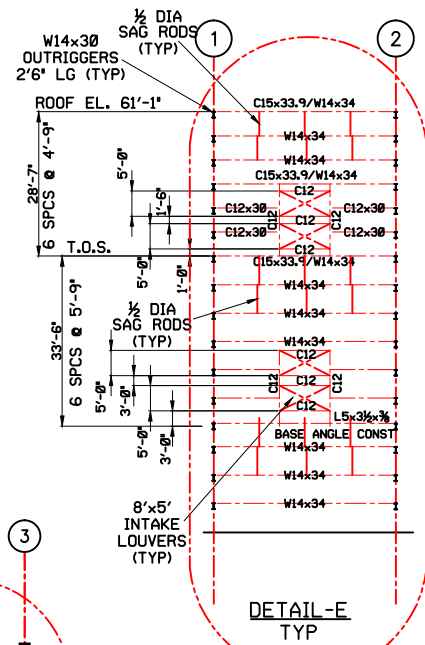
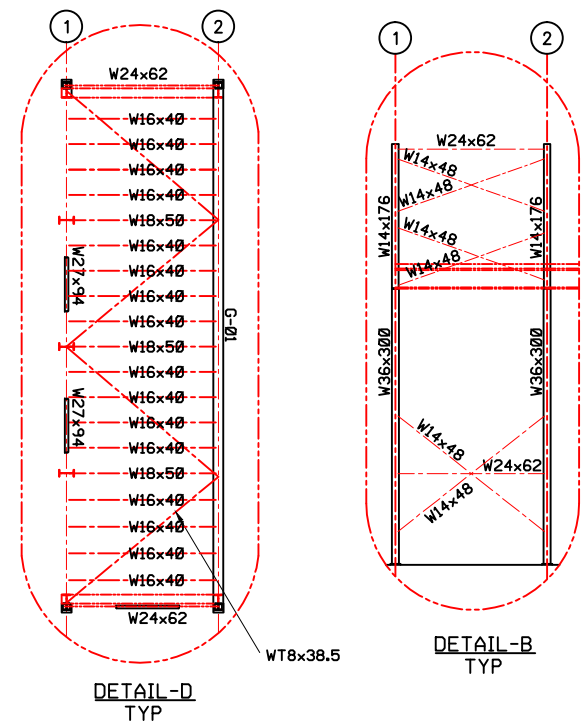
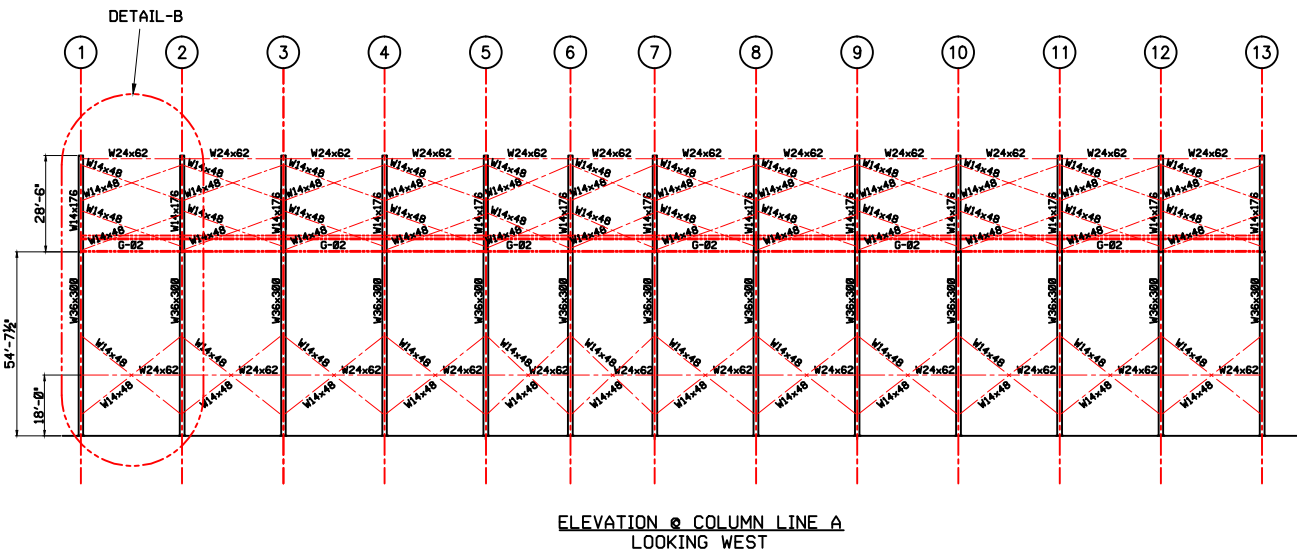
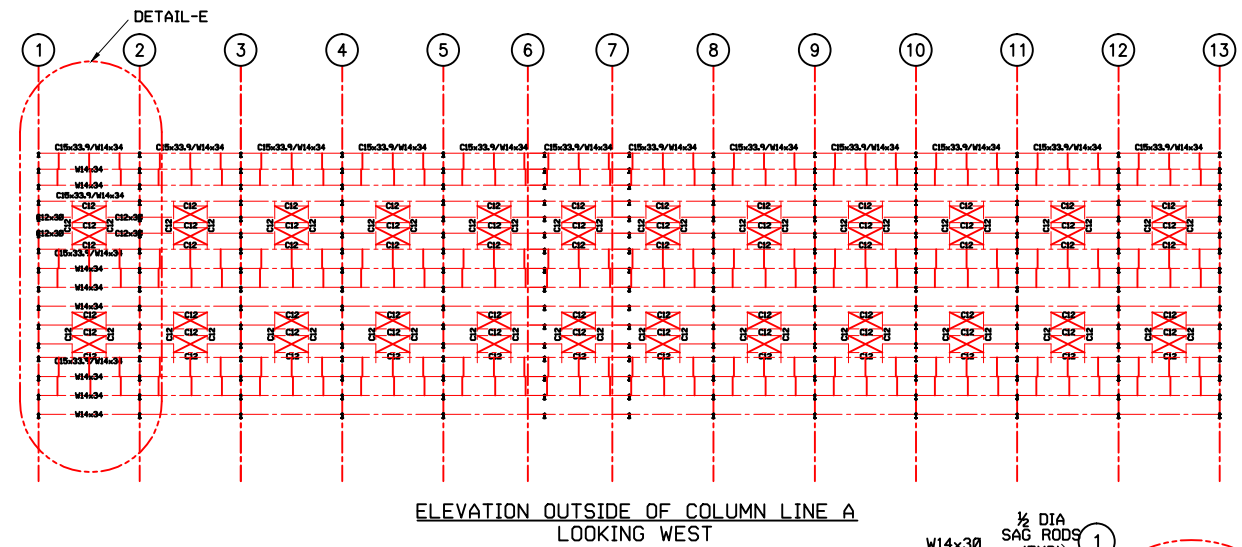
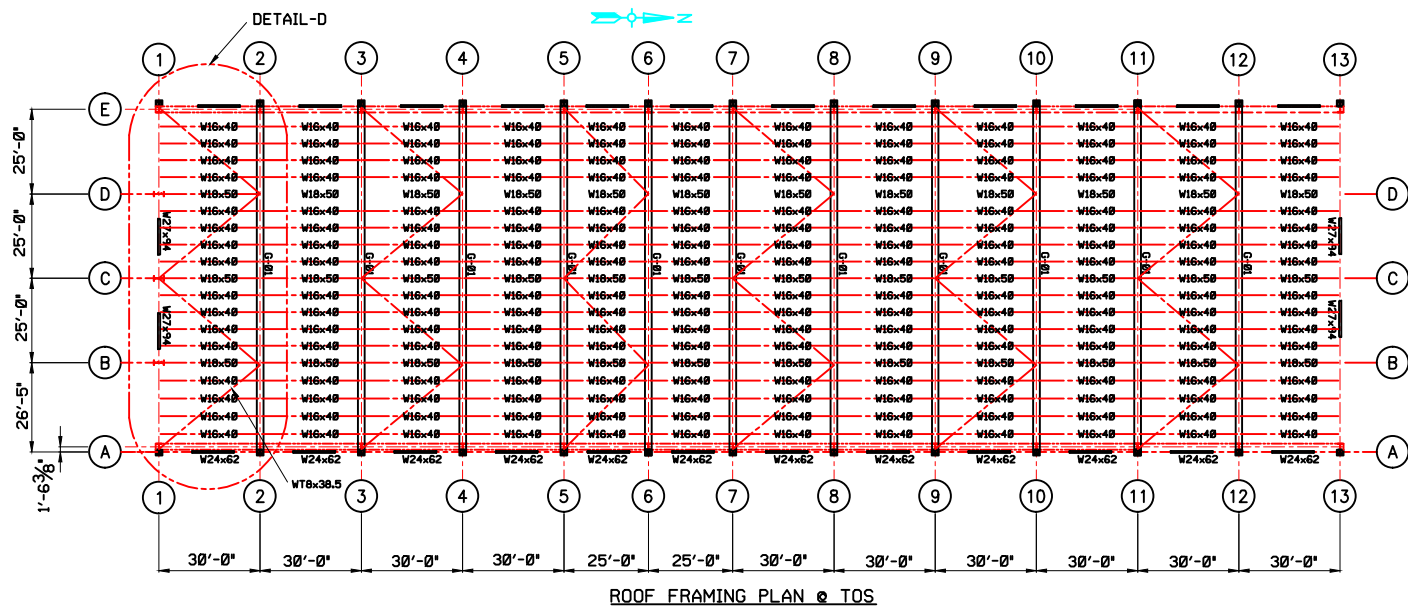


U.S. Department of Energy
Task Order #16
Development of Consolidated
Storage Facility Design Concepts

CASK HANDLING BUILDING ELEVATIONS

CHB-CSTDA,CSTDC,CUGS,CAGVC,CBVC

TO16-S1-CPAD-CHB-4



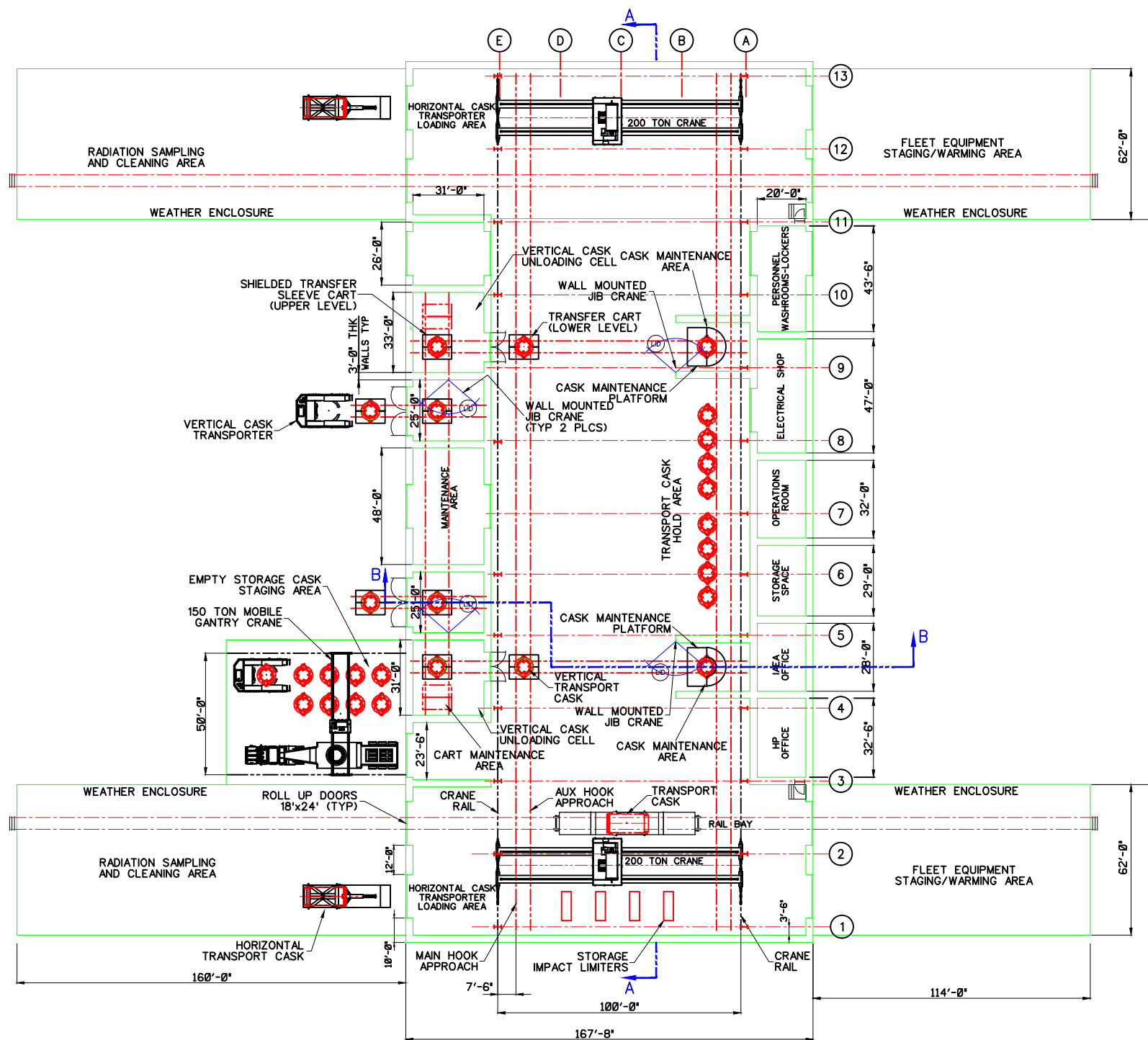
ROOF GIRDER:
G-01: d= 77 $\frac{1}{2}$ "
tw= $\frac{1}{2}$ "
bf= 23 $\frac{3}{8}$ "
tf= 1 $\frac{1}{2}$ "
CRANE RAIL GIRDER:
G-02: d= 48"
tw= $\frac{1}{2}$ "
bf= 21 $\frac{1}{2}$ "
tf= 3 $\frac{1}{2}$ "



U.S. Department of Energy
Task Order #16
Development of Consolidated
Storage Facility Design Concepts

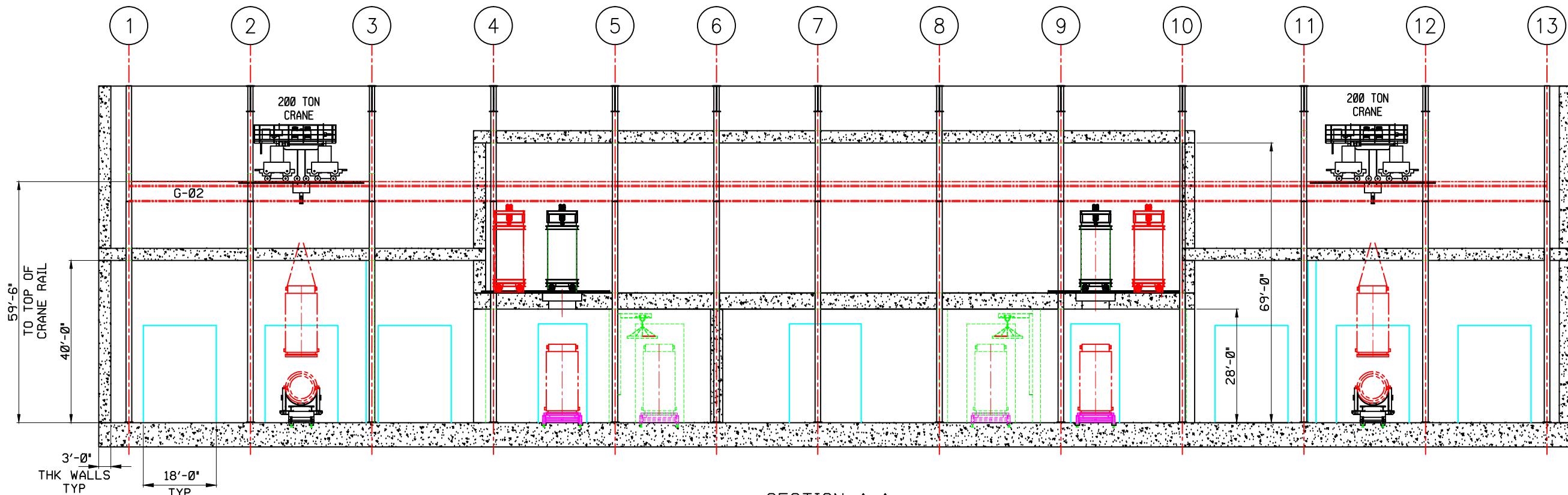
CASK HANDLING BUILDING STRUCTURAL STEEL

CPAD,CSTDA-B-C,CUGS,CAGVC-D,CBVC-D | TO16-S1-CPAD-CHB-5

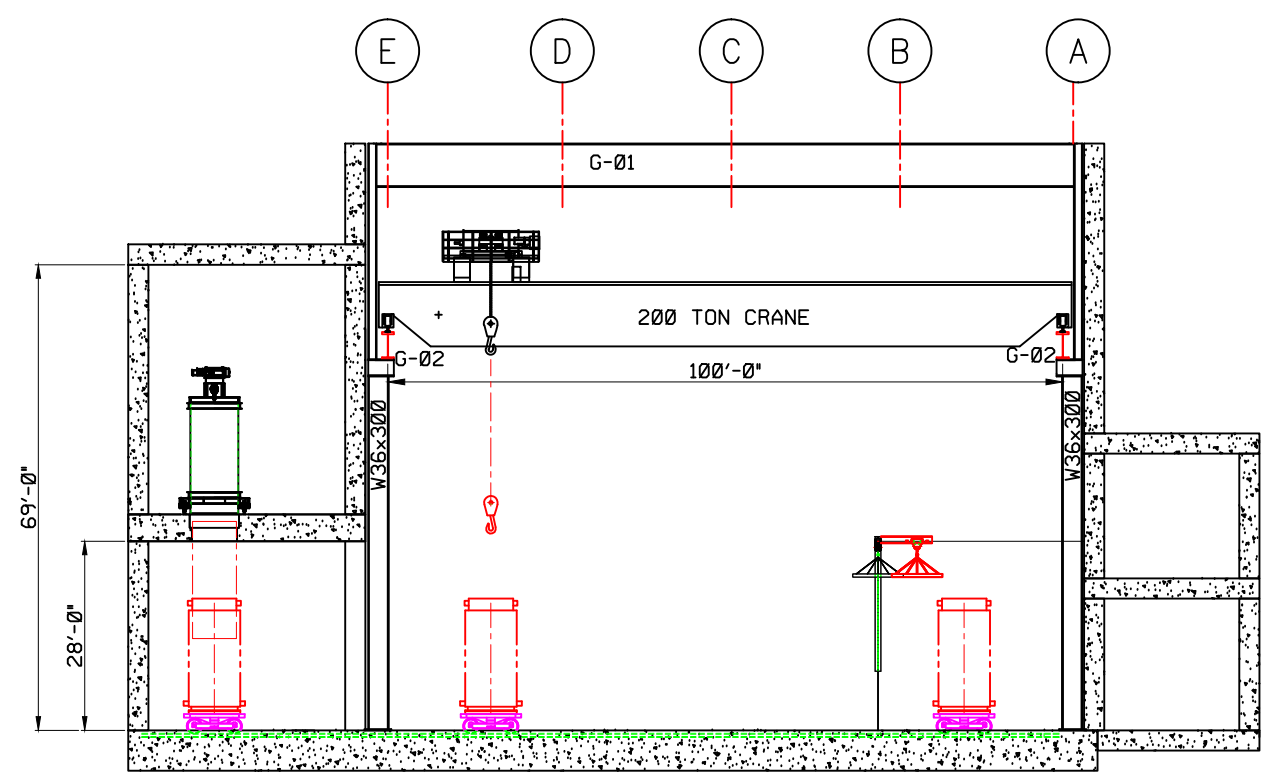


U.S. Department of Energy
 Task Order #16
 Development of Consolidated
 Storage Facility Design Concepts

CASK HANDLING BUILDING-PLAN-HIGH SEISMIC
 CPAD,CSTDA-B-C,CUGS,CAGVC-D,CBGVC-D TO16-S1-CPAD-CHB-6



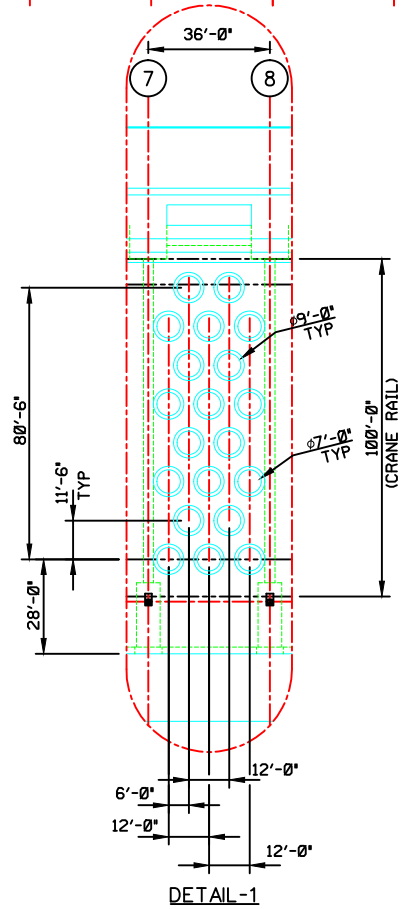
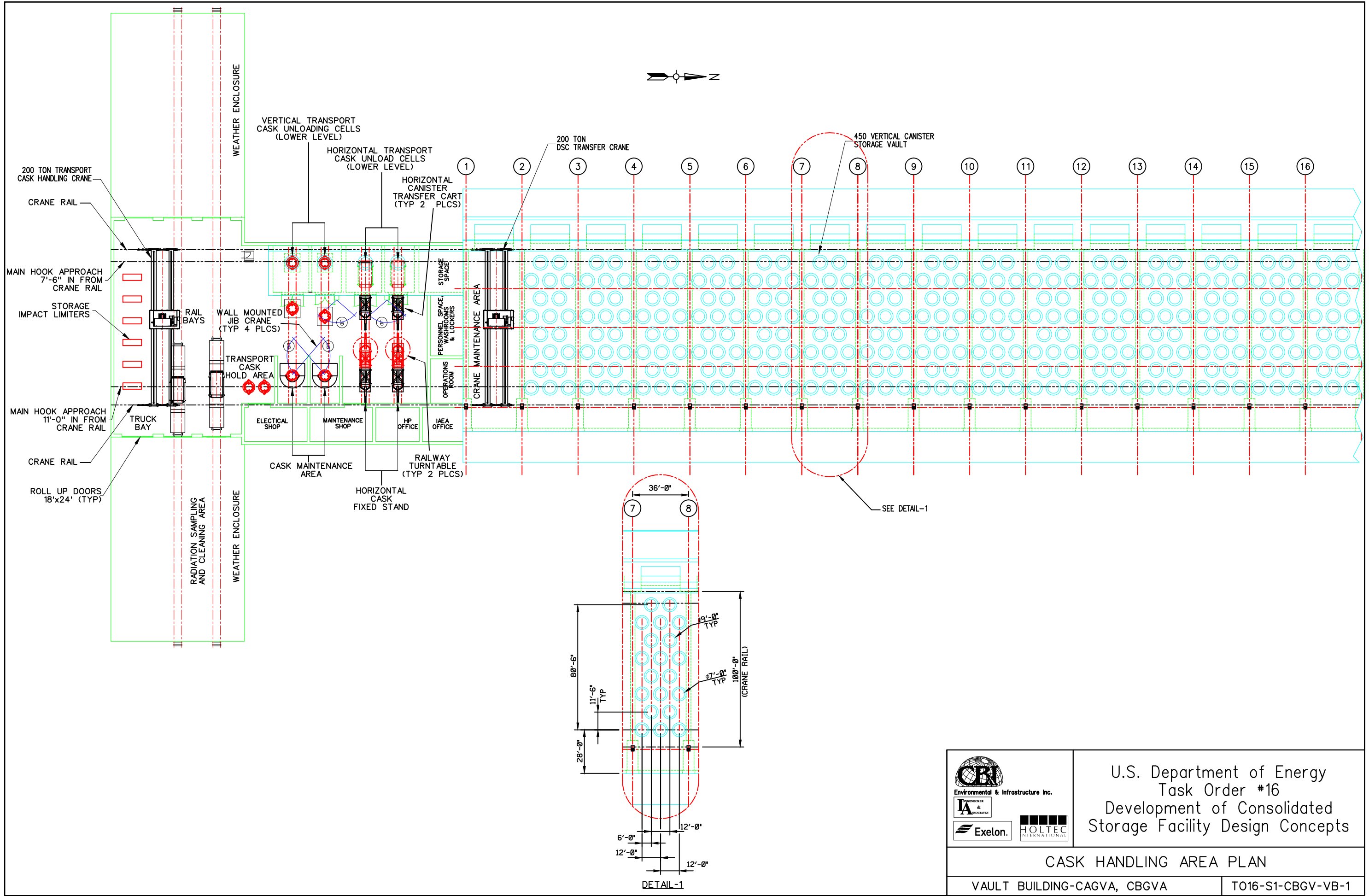
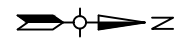
SECTION A-A
LOOKING WEST



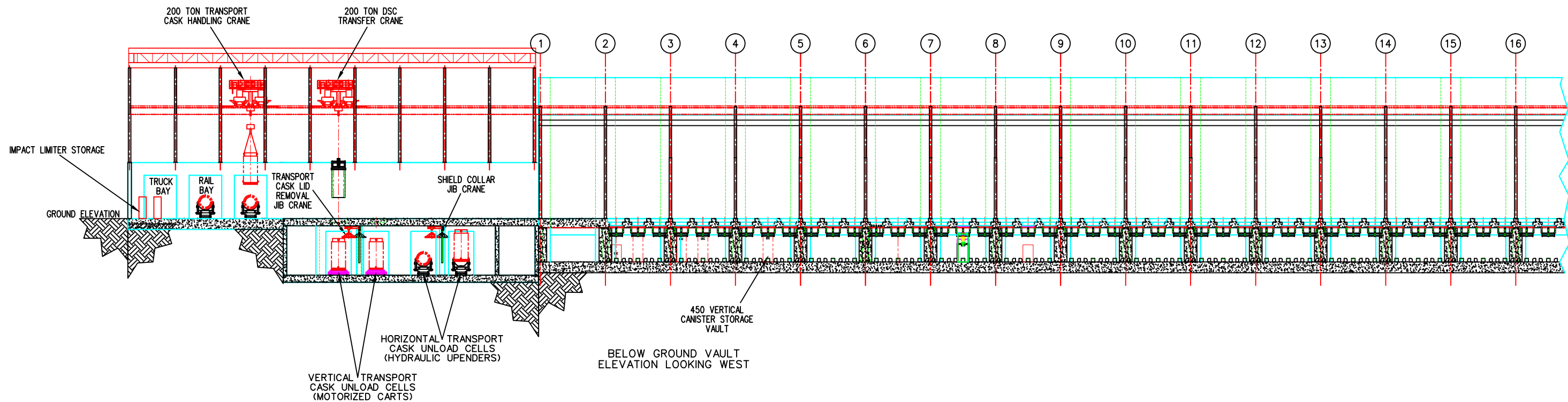
SECTION B-B
LOOKING NORTH



U.S. Department of Energy
Task Order #16
Development of Consolidated
Storage Facility Design Concepts



U.S. Department of Energy
 Task Order #16
 Development of Consolidated
 Storage Facility Design Concepts

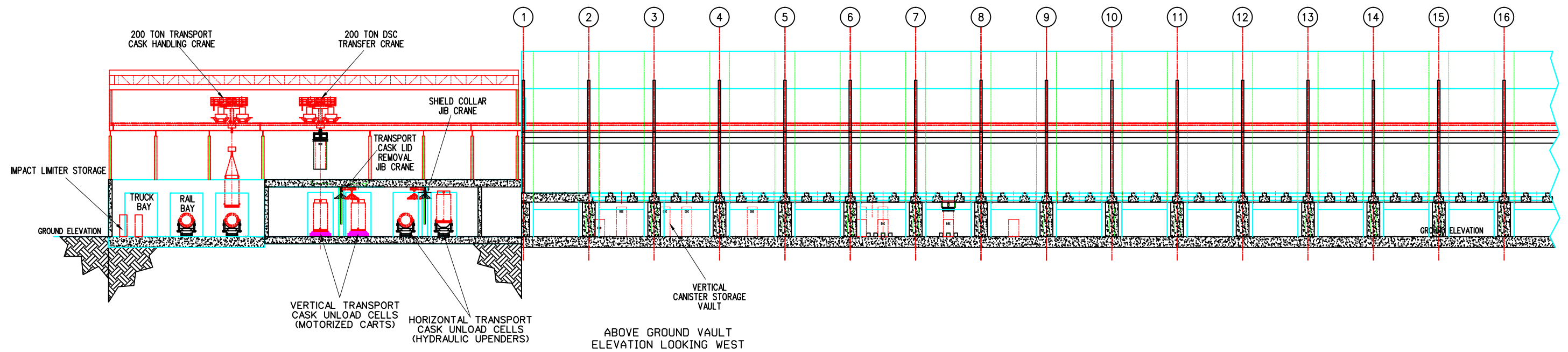


U.S. Department of Energy
 Task Order #16
 Development of Consolidated
 Storage Facility Design Concepts

CASK HANDLING AREA ELEVATION

VAULT BUILDING-CBGVA

TO16-S1-CBGV-VB-2

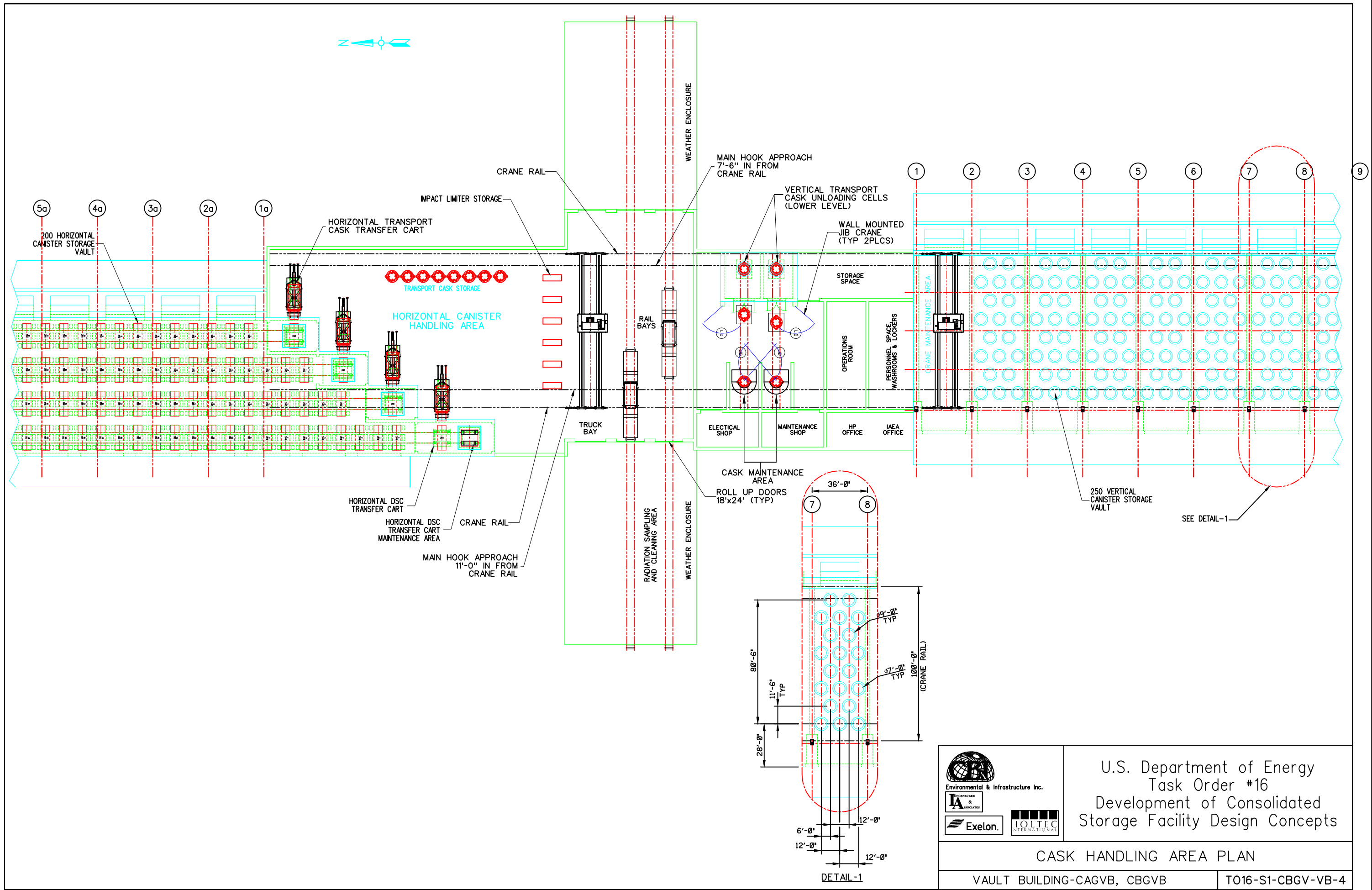


U.S. Department of Energy
 Task Order #16
 Development of Consolidated
 Storage Facility Design Concepts

CASK HANDLING AREA ELEVATION

VAULT BUILDING-CAGVA

TO16-S1-CAGV-VB-3

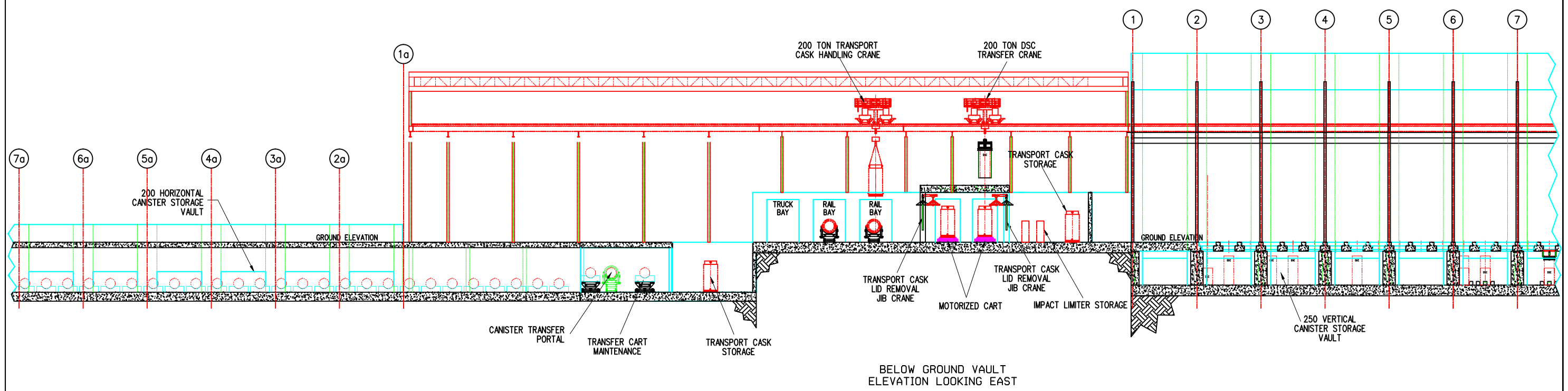


U.S. Department of Energy
 Task Order #16
 Development of Consolidated
 Storage Facility Design Concepts

CASK HANDLING AREA PLAN

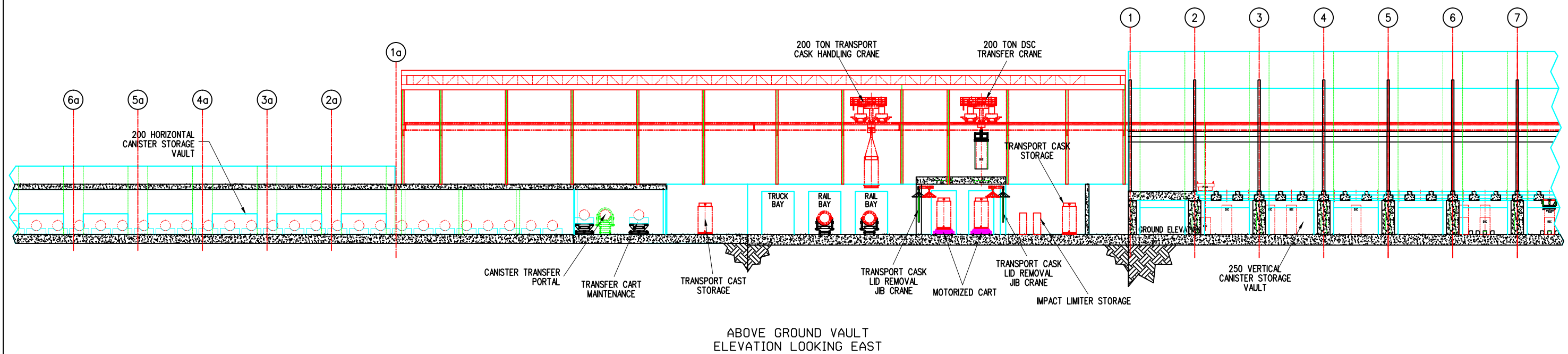
VAULT BUILDING-CAGVB, CBGVB

T016-S1-CBGV-VB-4



U.S. Department of Energy
 Task Order #16
 Development of Consolidated
 Storage Facility Design Concepts

CASK HANDLING AREA ELEVATION
 VAULT BUILDING-CBGVB
 T016-S1-CBGV-VB-5



ABOVE GROUND VAULT
ELEVATION LOOKING EAST

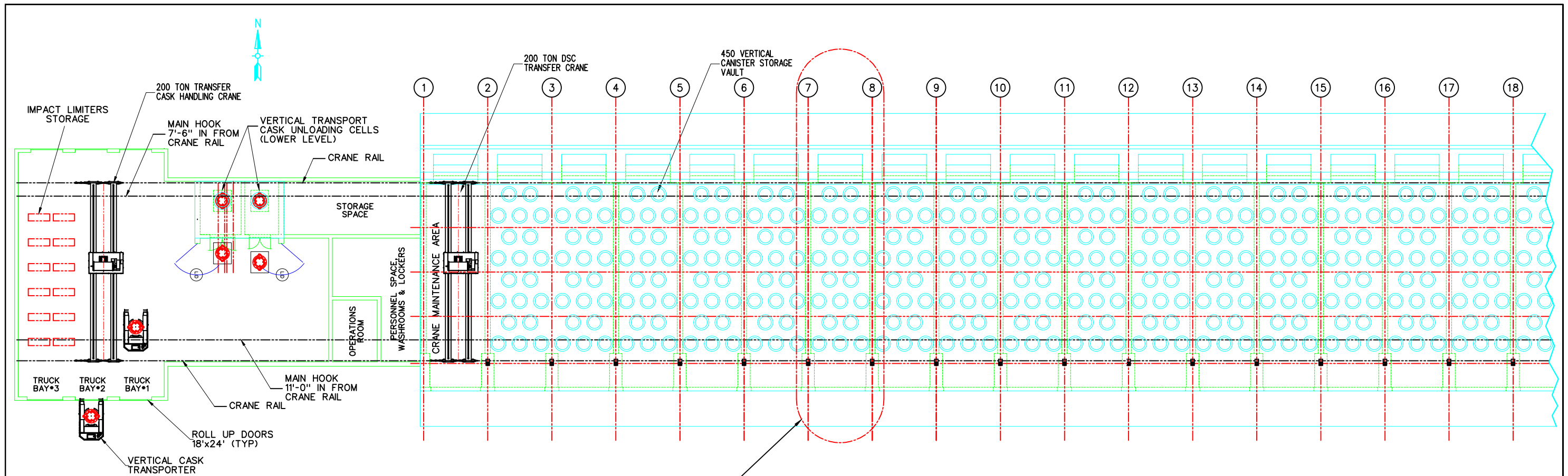


U.S. Department of Energy
Task Order #16
Development of Consolidated
Storage Facility Design Concepts

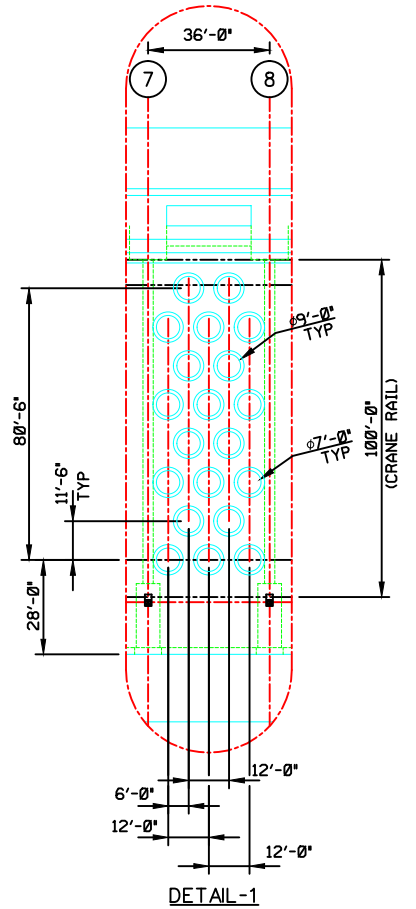
CASK HANDLING AREA ELEVATION

VAULT BUILDING-CAGVB

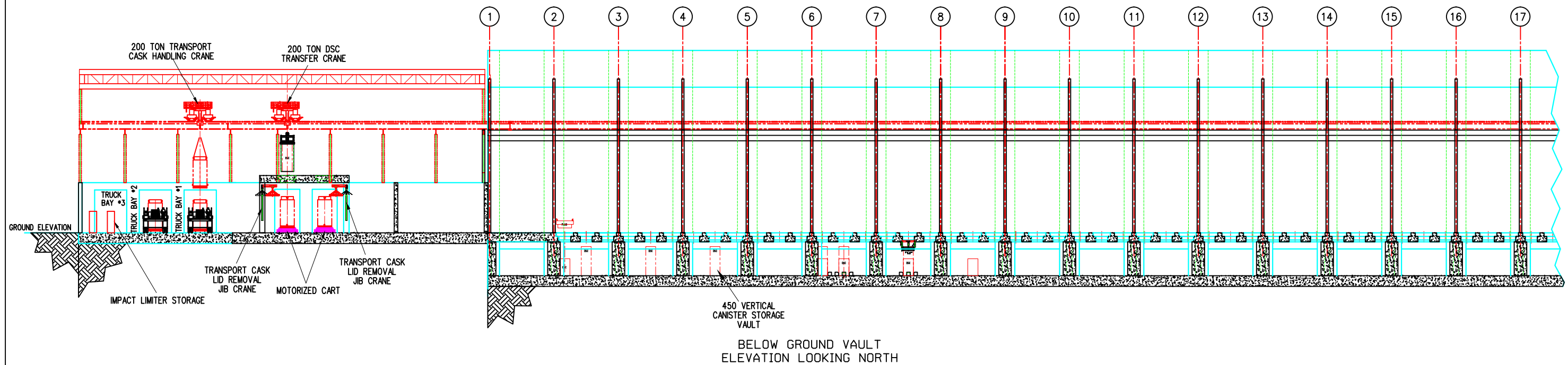
TO16-S1-CAGV-VB-6



SEE DETAIL-1

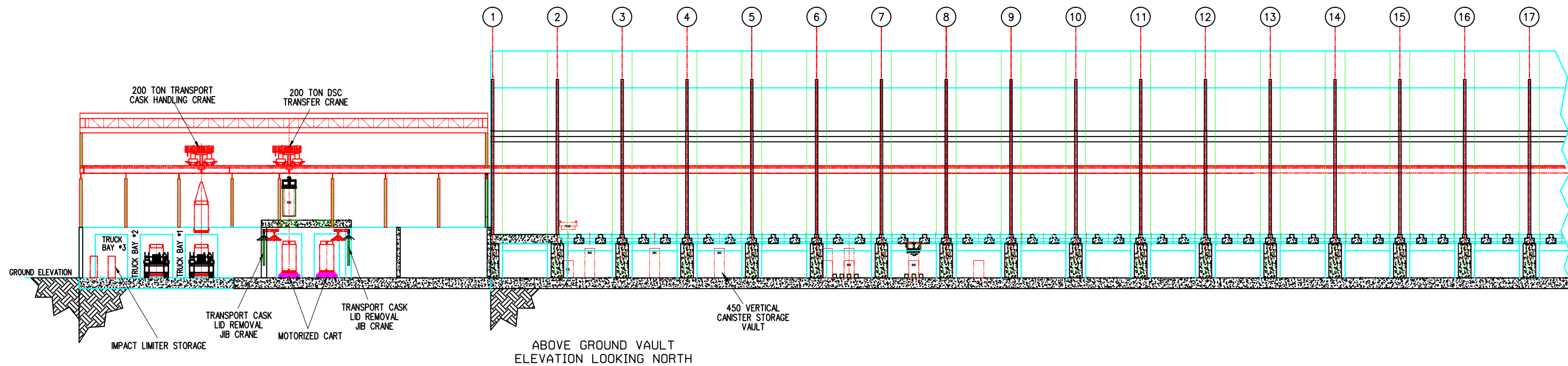


U.S. Department of Energy
 Task Order #16
 Development of Consolidated
 Storage Facility Design Concepts



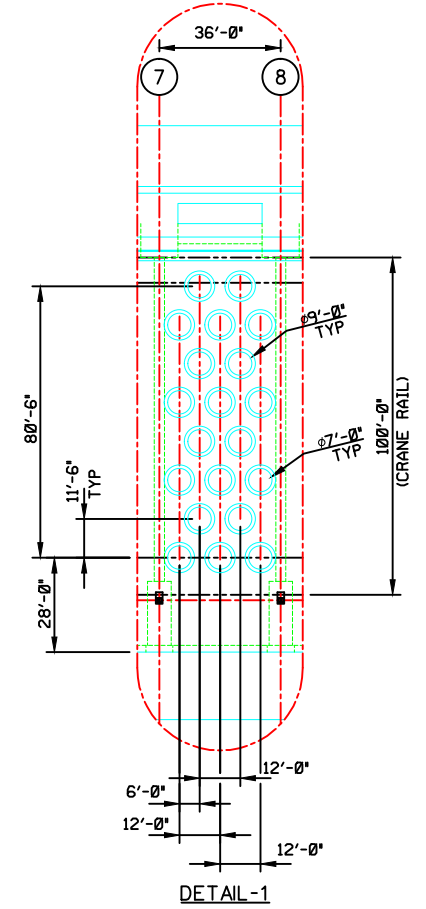
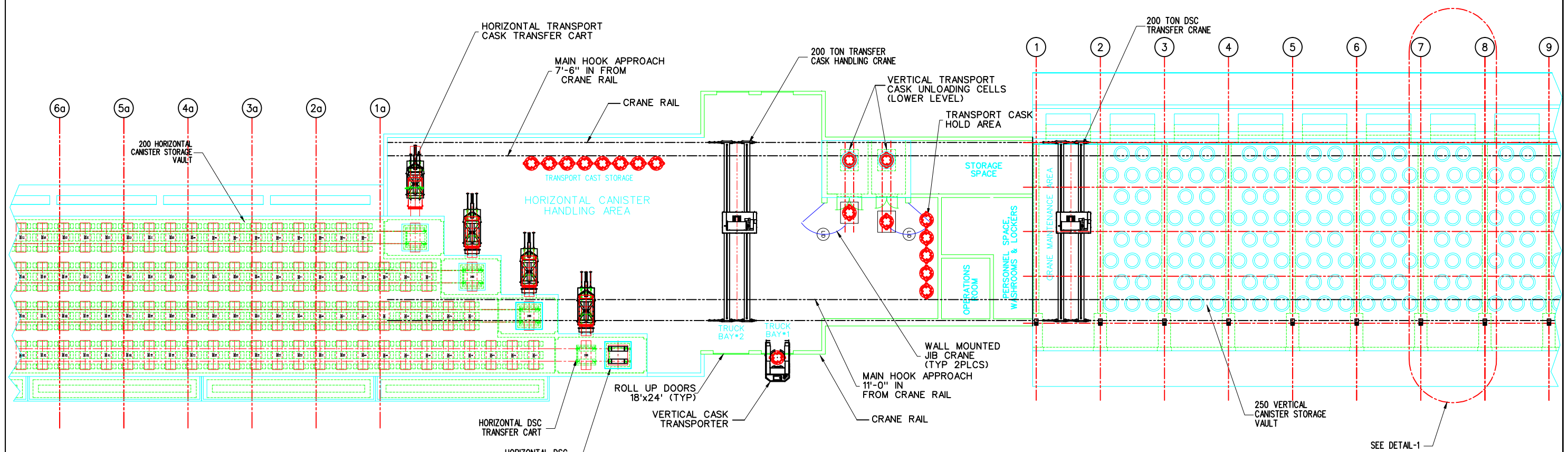
U.S. Department of Energy
 Task Order #16
 Development of Consolidated
 Storage Facility Design Concepts

CASK RECEIVING AREA ELEVATION	
VAULT BUILDING-CBGVC	TO16-S1-CBGV-VB-8

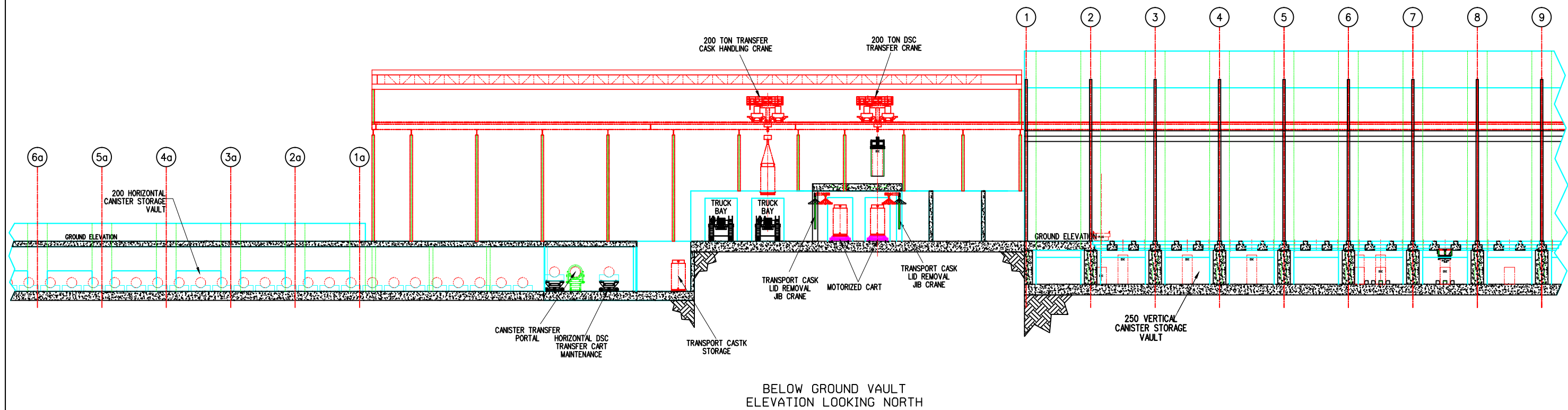


U.S. Department of Energy
 Task Order #16
 Development of Consolidated
 Storage Facility Design Concepts

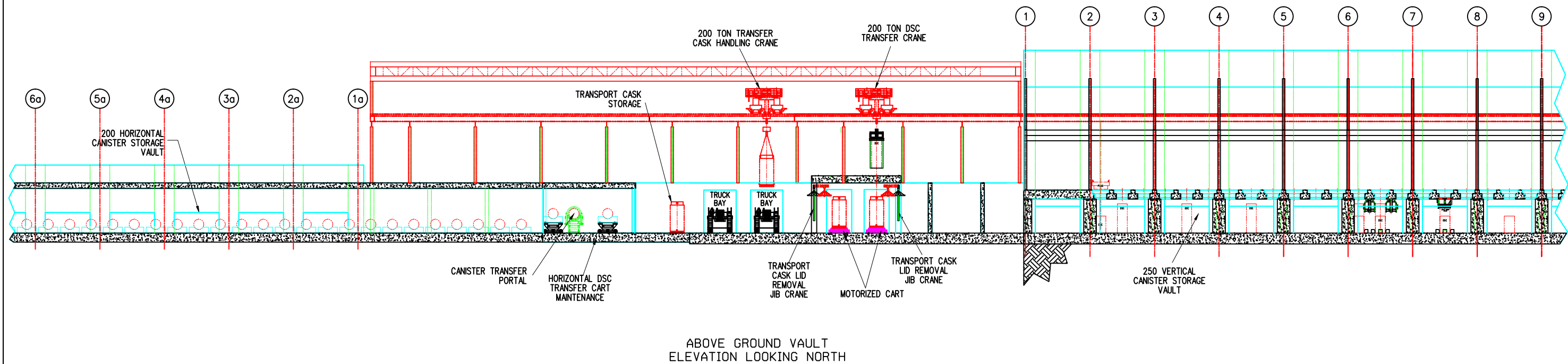
CASK RECEIVING AREA ELEVATION
 VAULT BUILDING-CAGVC | TO16-S1-CAGV-VB-9



U.S. Department of Energy
 Task Order #16
 Development of Consolidated
 Storage Facility Design Concepts



U.S. Department of Energy
 Task Order #16
 Development of Consolidated
 Storage Facility Design Concepts

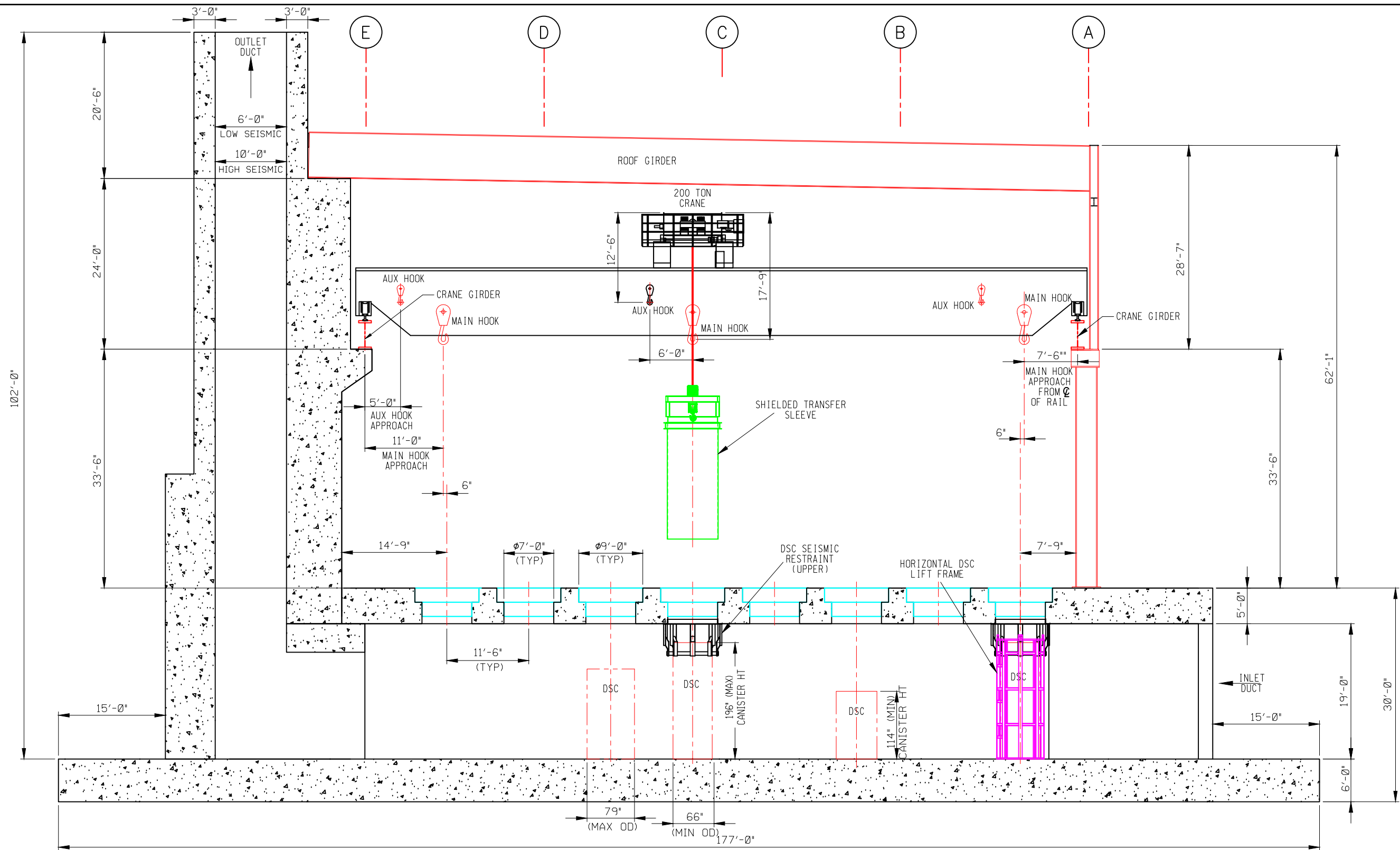


U.S. Department of Energy
Task Order #16
Development of Consolidated
Storage Facility Design Concepts

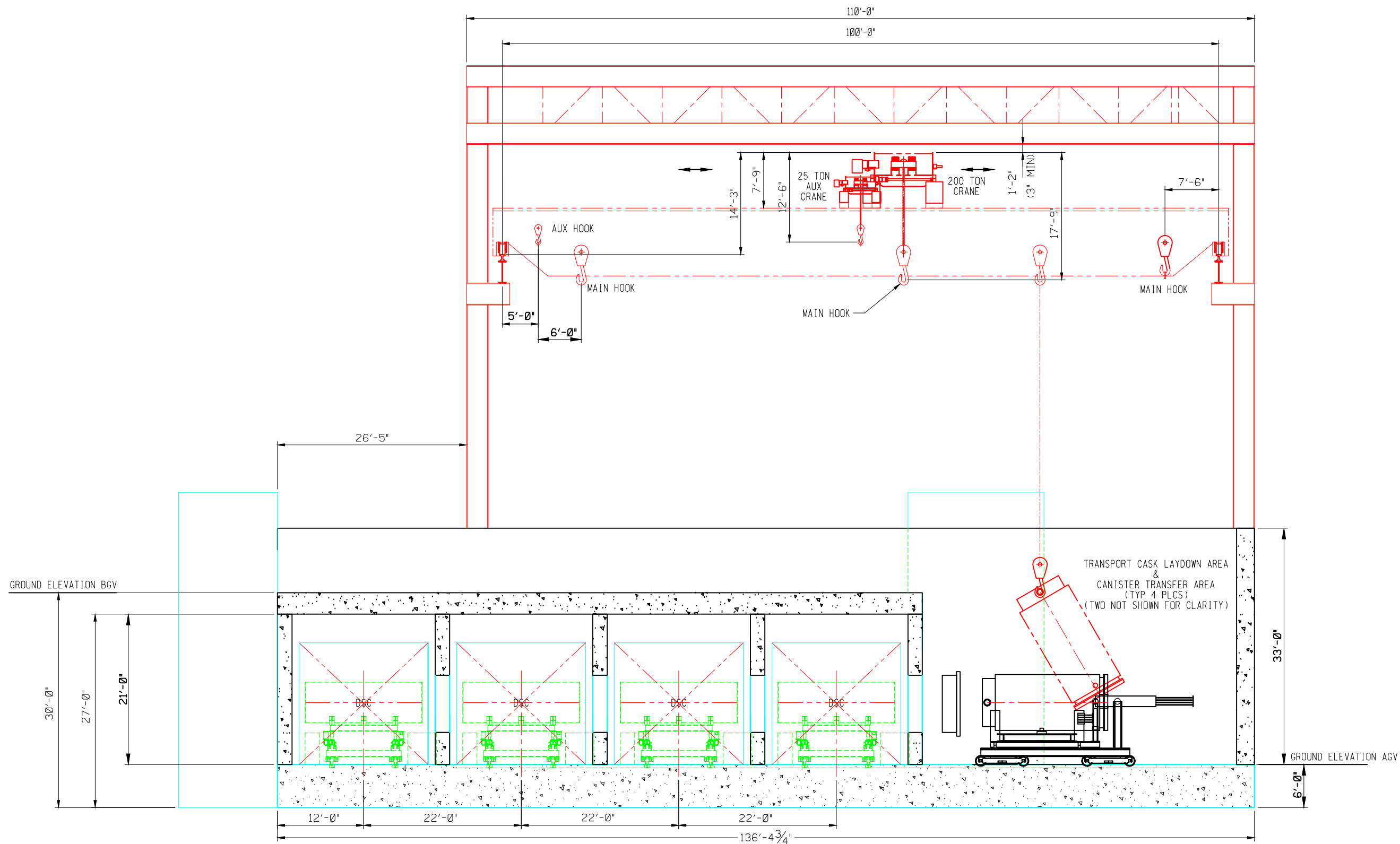
CASK RECEIVING AREA ELEVATION

VAULT BUILDING-CAGVD

TO16-S1-CAGV-VB-12

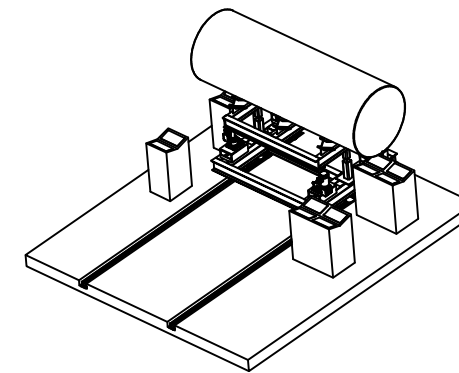


U.S. Department of Energy
 Task Order #16
 Development of Consolidated
 Storage Facility Design Concepts

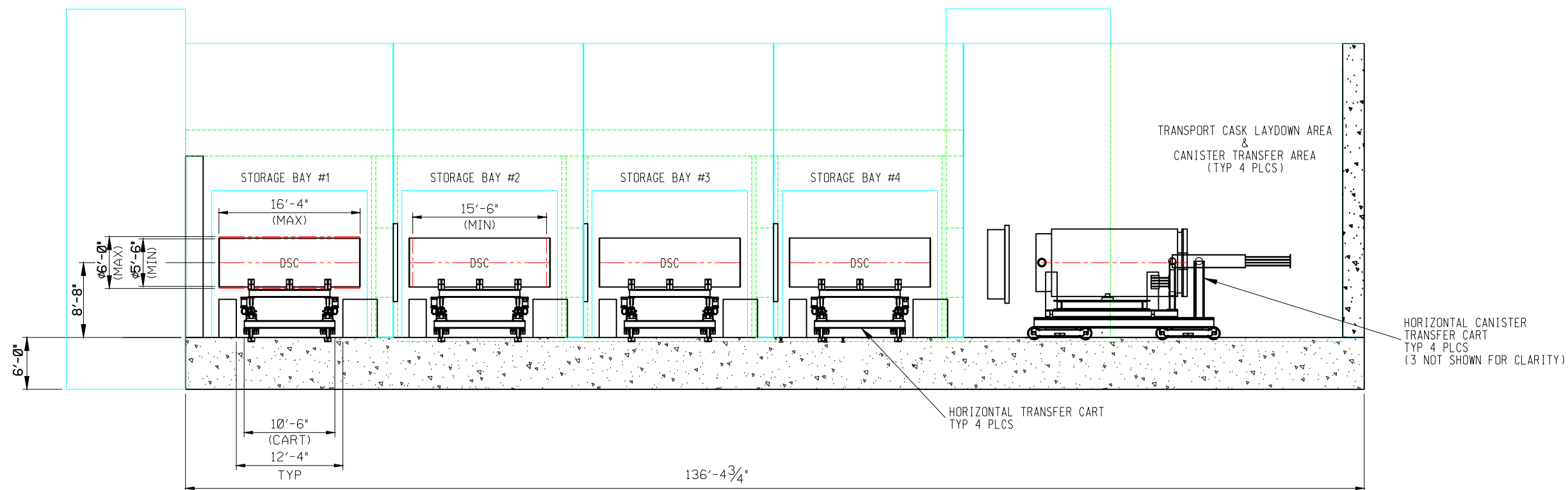


U.S. Department of Energy
Task Order #16
Development of Consolidated
Storage Facility Design Concepts

HORIZONTAL TRANSFER AREA ELEVATION
VAULT BUILDING-CAGVA-D, CBGVA-D T016-S1-CBGV-VB-14

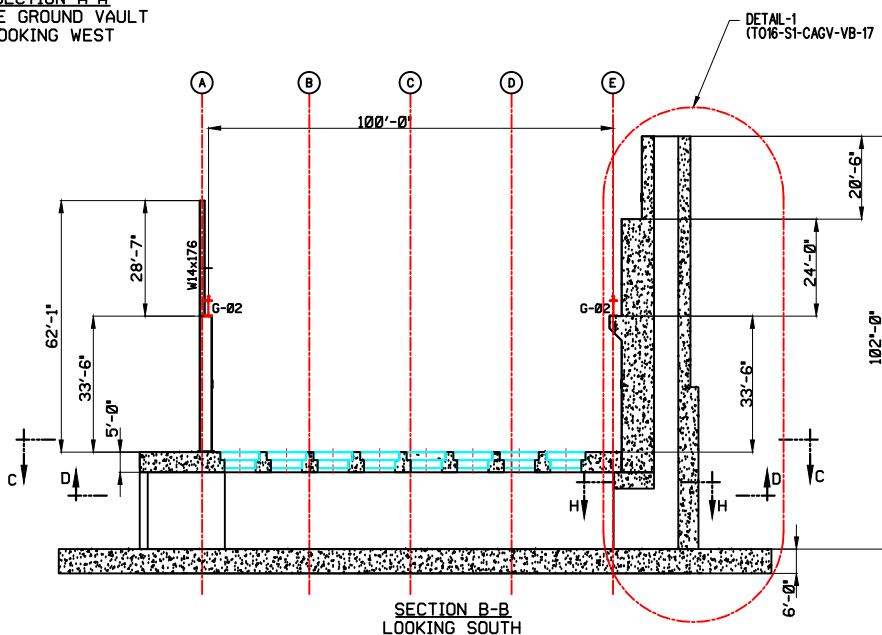
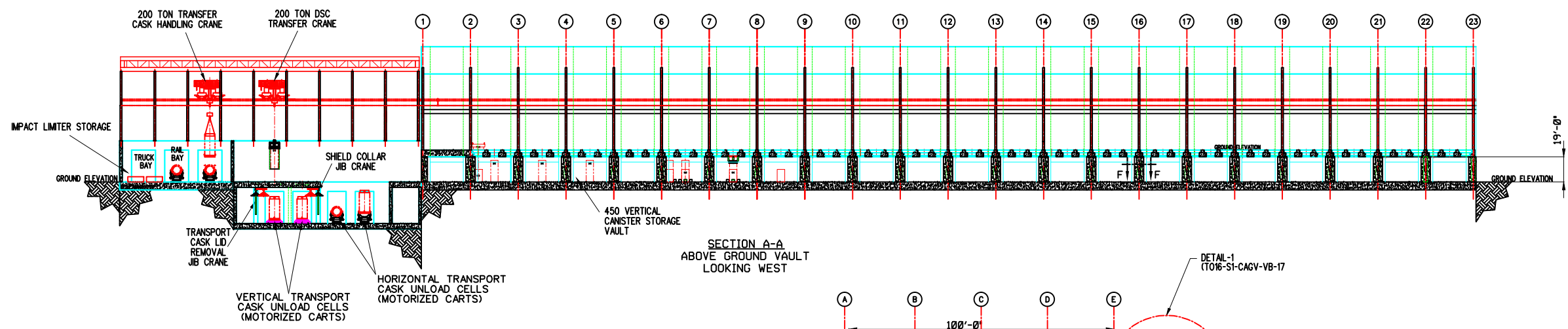
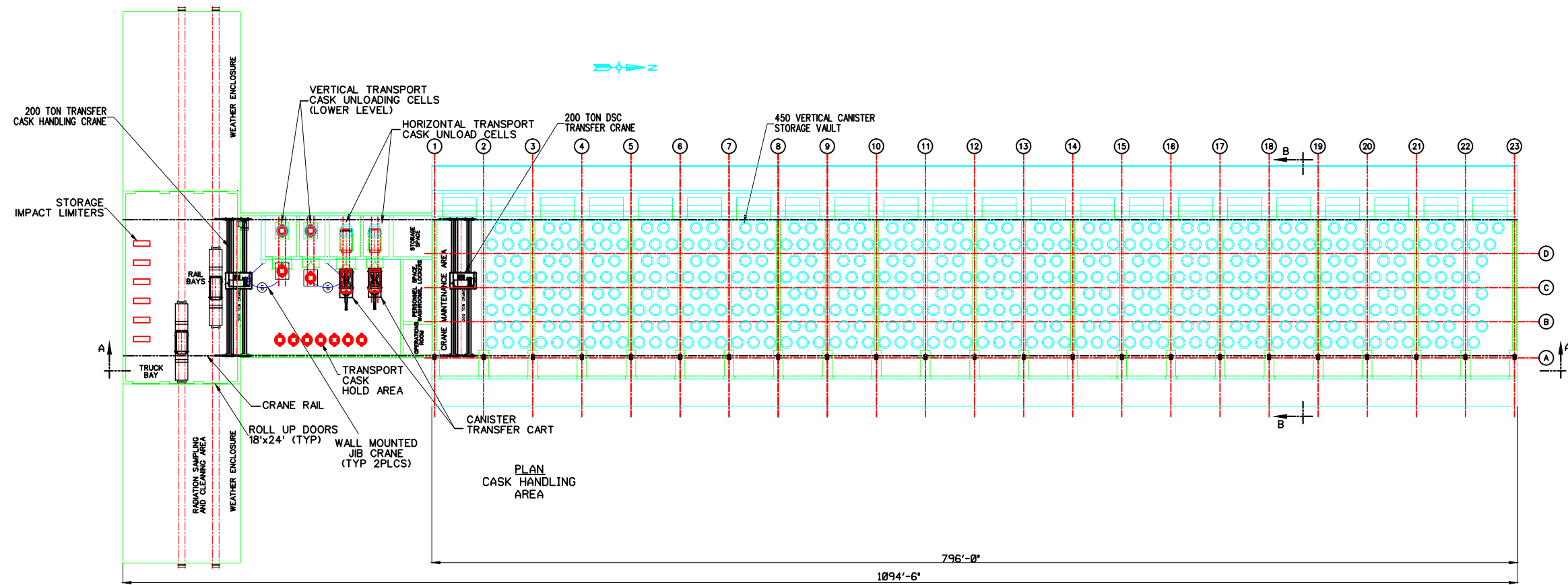


ISOMETRIC VIEW
HORIZONTAL TRANSFER CART

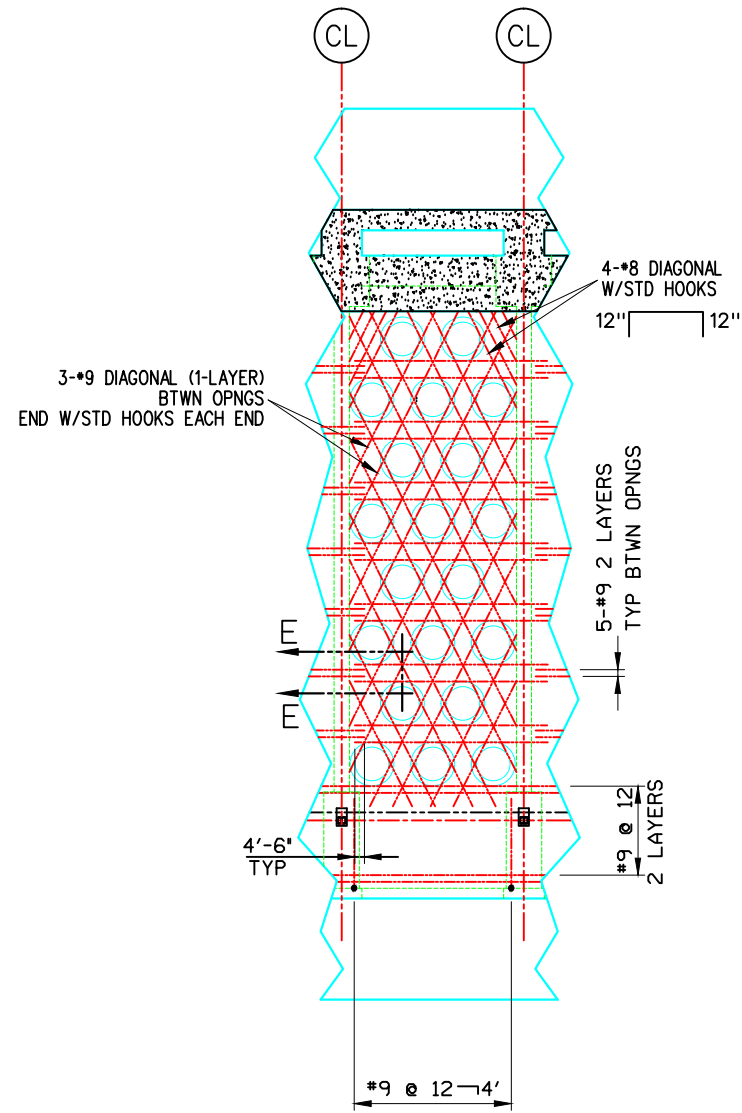


U.S. Department of Energy
Task Order #16
Development of Consolidated
Storage Facility Design Concepts

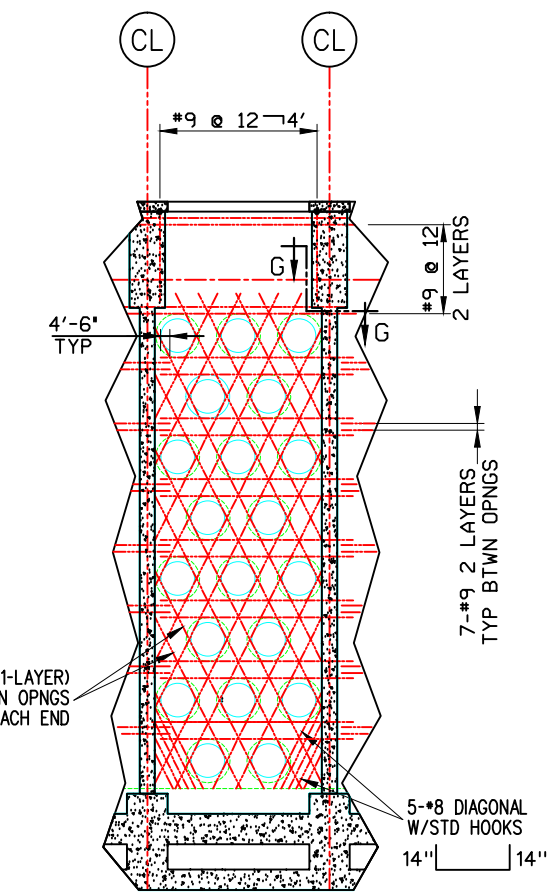
HORIZONTAL STORAGE AREA ELEVATION
VAULT BUILDING-CAGVA-D, CBGVA-D T016-S1-CBGV-VB-15



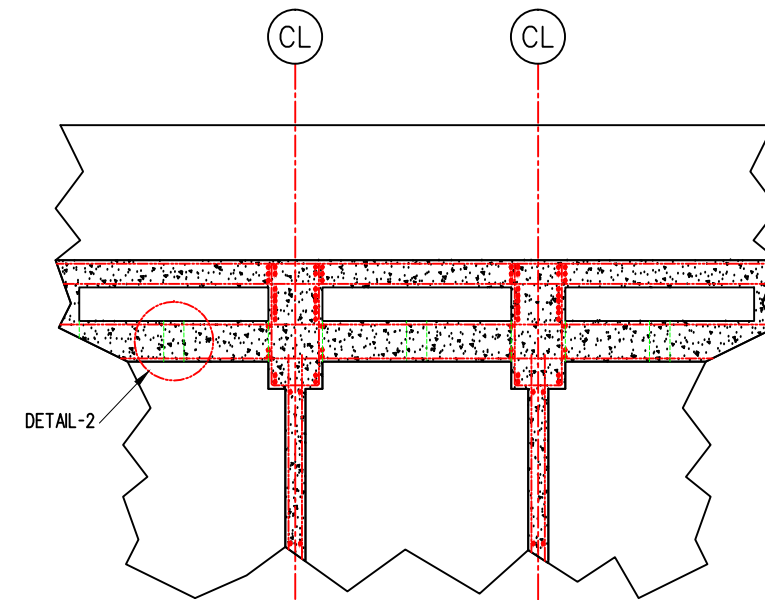
U.S. Department of Energy
 Task Order #16
 Development of Consolidated
 Storage Facility Design Concepts



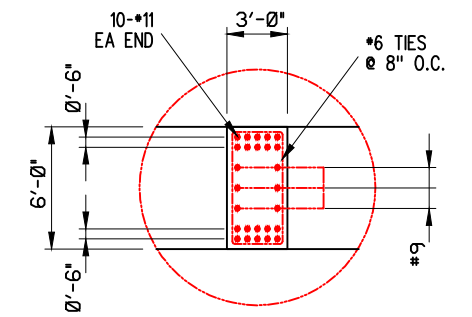
SECTION C-C
TOP FACE REINFORCEMENT



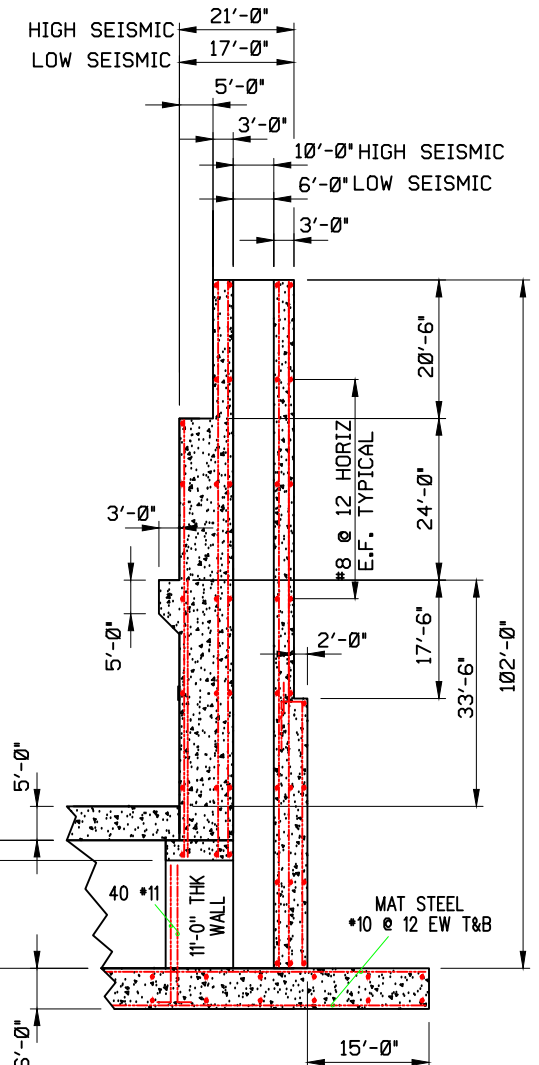
SECTION D-D
BOTTOM FACE REINFORCEMENT



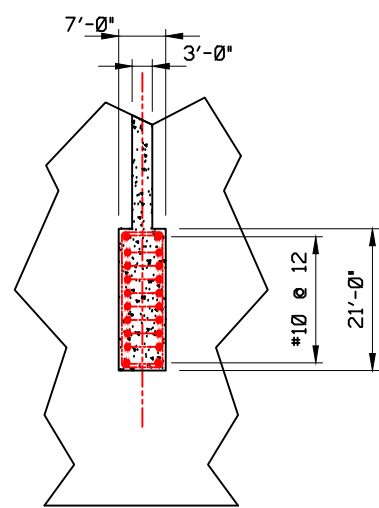
SECTION H-H
TYPICAL



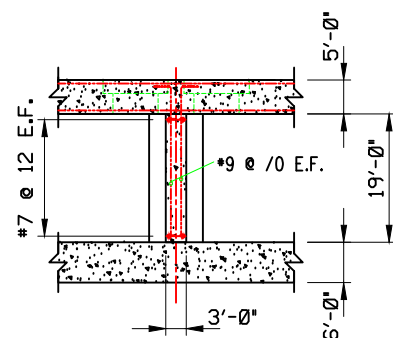
DETAIL-2
TYPICAL



DETAIL-1

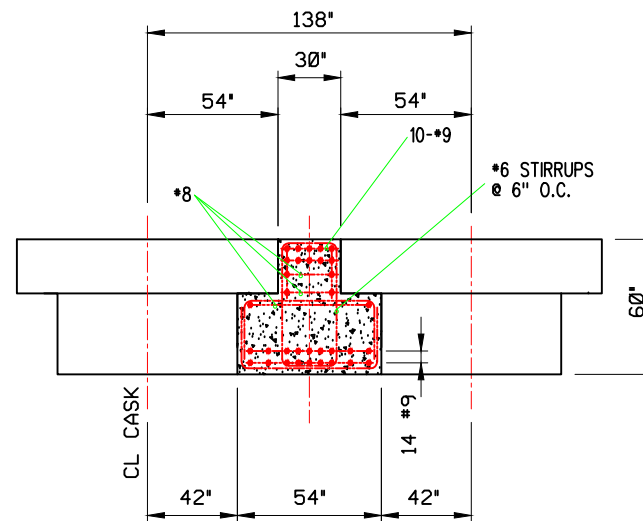


SECTION F-F
TYPICAL



SECTION G-G
TYPICAL

LOW SEISMIC: (8) #9's TOP
(10) #9's BOTTOM
#6 STIRRUPS @ 6"
HIGH SEISMIC: (10) #9's TOP
(12) #9's BOTTOM
#6 STIRRUPS @ 4"



SECTION E-E
TYPICAL



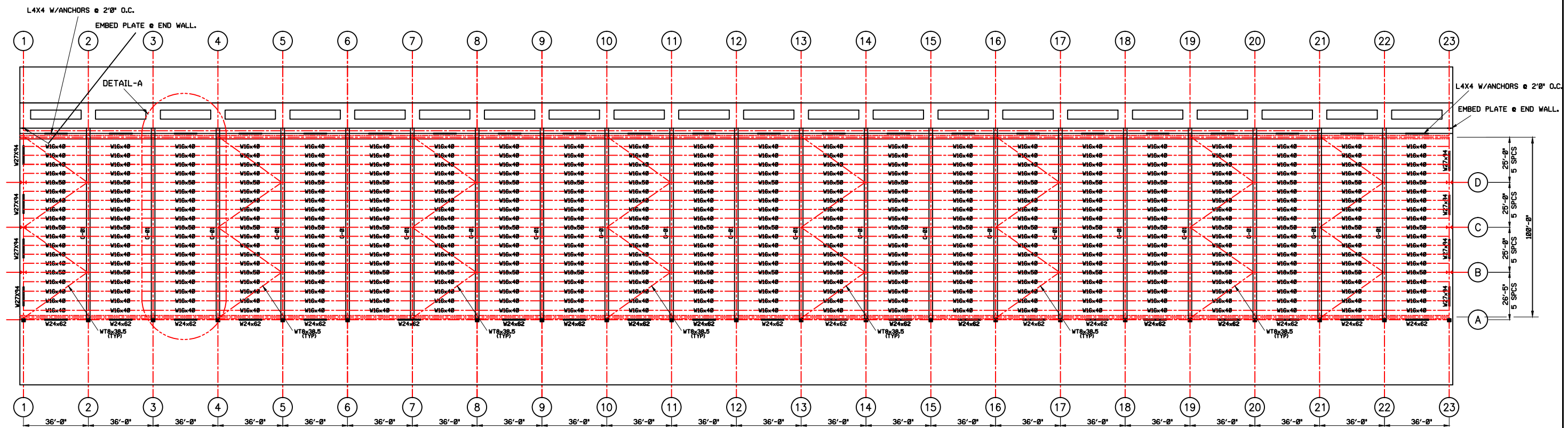
Environmental & Infrastructure Inc.
ENGINEER & ARCHITECT



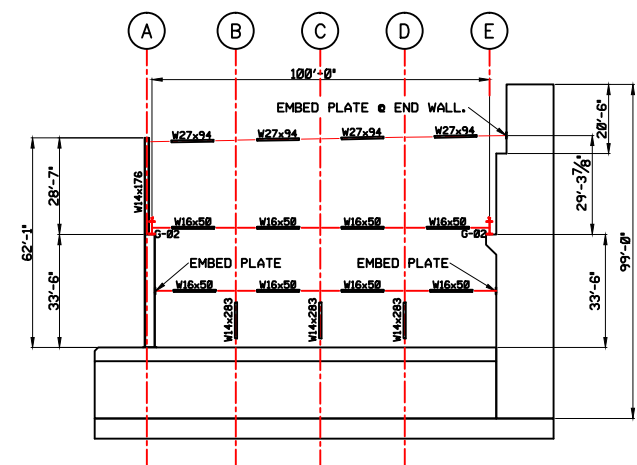
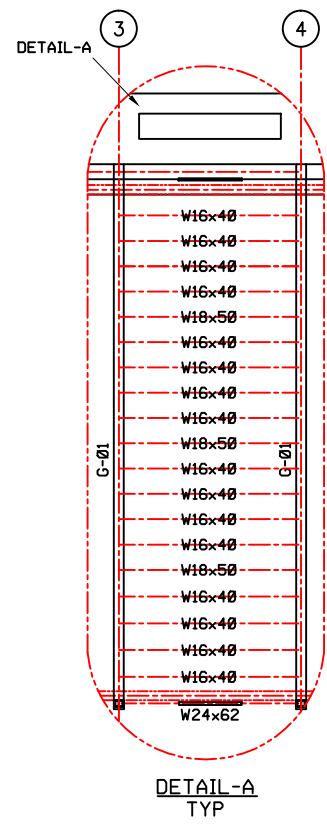
U.S. Department of Energy
Task Order #16
Development of Consolidated
Storage Facility Design Concepts

STRUCTURAL STEEL SECTIONS & DETAILS

VAULT BUILDING-CAGVA-D, CBGVA-D T016-S1-CAGV-VB-17



ROOF FRAMING PLAN @ TOS



ELEVATION @ COLUMN LINE 23
LOOKING WEST

ROOF GIRDER:
G-01: d= 77 1/2"
tw= 1/2"
bf= 23 3/8"
tf= 1 3/8"

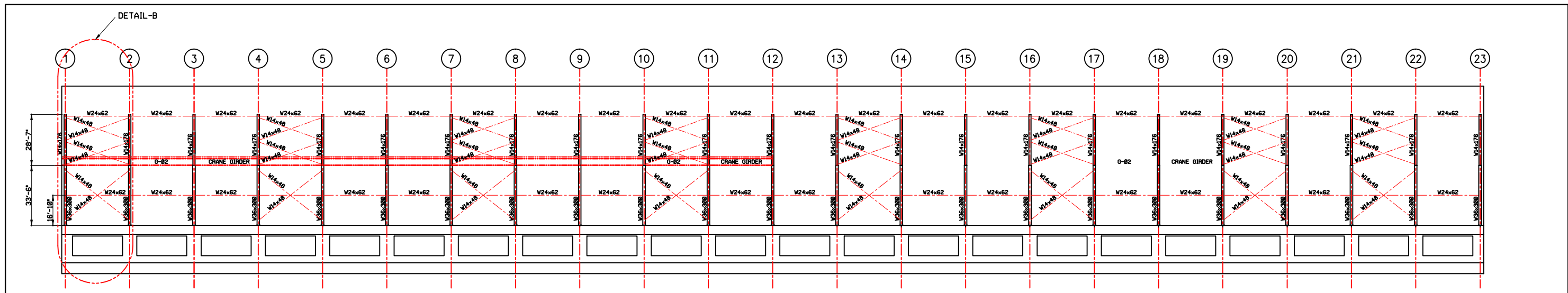
CRANE RAIL GIRDER:
G-02: d= 48"
tw= 1/2"
bf= 21 1/2"
tf= 3 1/2"



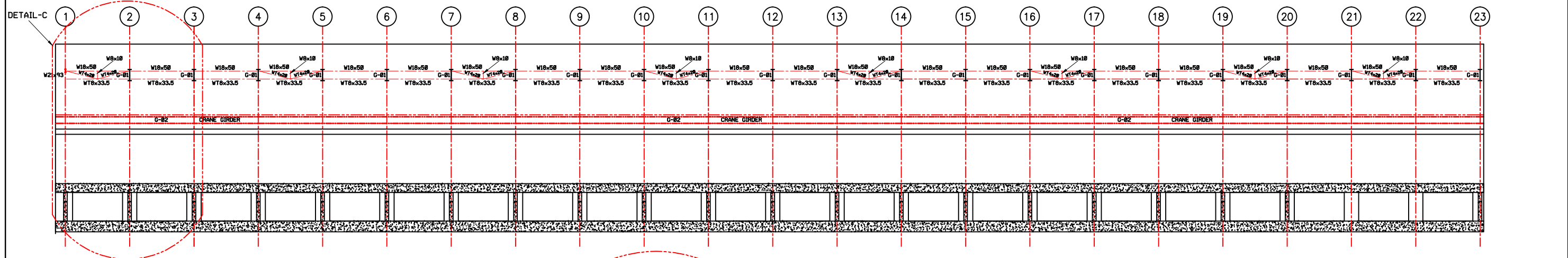
U.S. Department of Energy
Task Order #16
Development of Consolidated
Storage Facility Design Concepts

STRUCTURAL STEEL ROOF PLAN

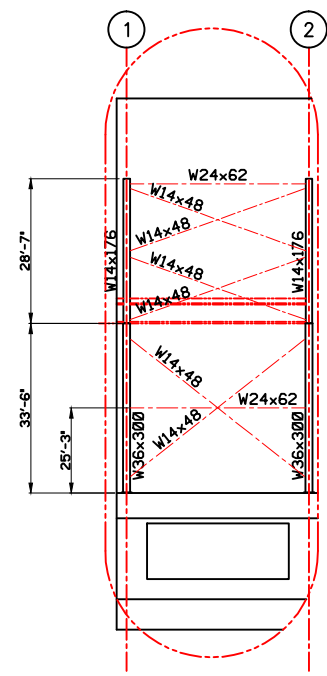
VAULT BUILDING-CAGVA-D, CBGVA-D T016-S1-CAGV-VB-18



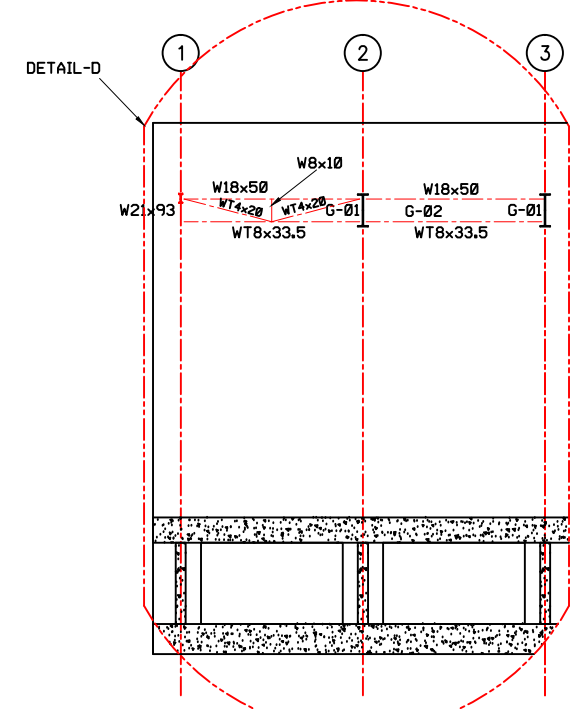
ELEVATION @ COLUMN LINE A
LOOKING NORTH



ELEVATION @ COLUMN LINE B, C & D
LOOKING NORTH



DETAIL-B
TYP

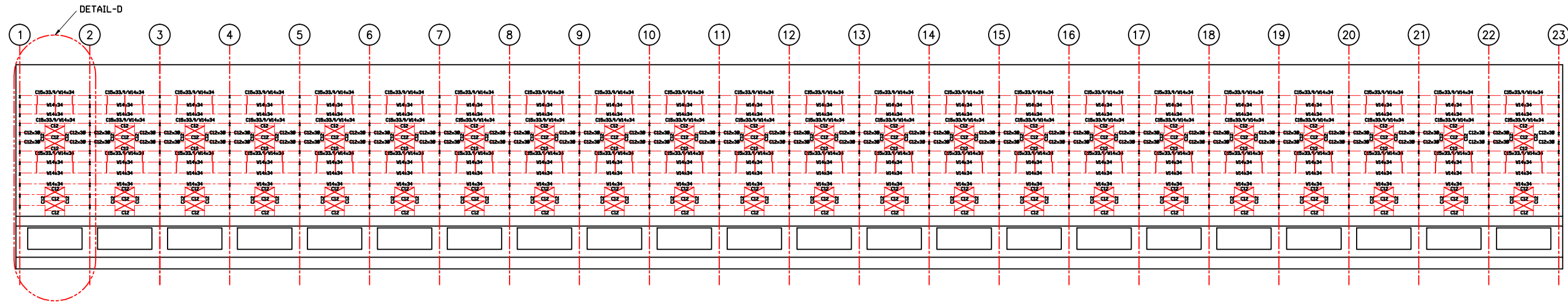


DETAIL-C
TYP

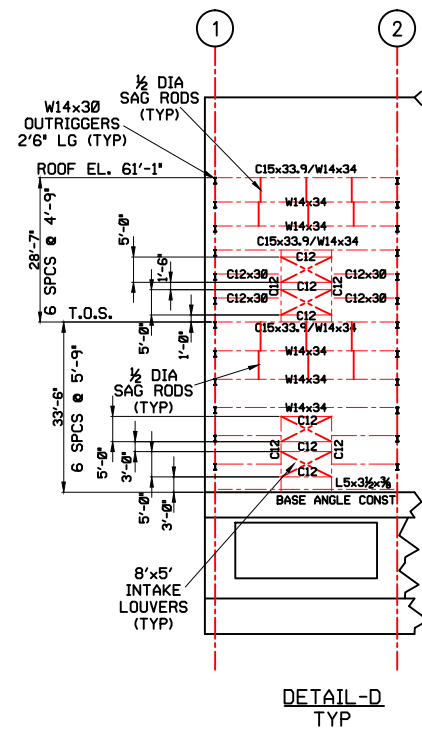
ROOF GIRDER:
G-01: d= 77½"
tw= ½"
bf= 23¾"
tf= 1¾"
CRANE RAIL GIRDER:
G-02: d= 48"
tw= ½"
bf= 21½"
tf= 3½"



U.S. Department of Energy
Task Order #16
Development of Consolidated
Storage Facility Design Concepts



ELEVATION OUTSIDE OF COLUMN LINE A
LOOKING NORTH



ROOF GIRDER:
G-01: d= 77 1/2"
tw= 1/2"
bf= 23 3/8"
tf= 1 3/8"
CRANE RAIL GIRDER:
G-02: d= 48"
tw= 1/2"
bf= 21 1/2"
tf= 3/2"

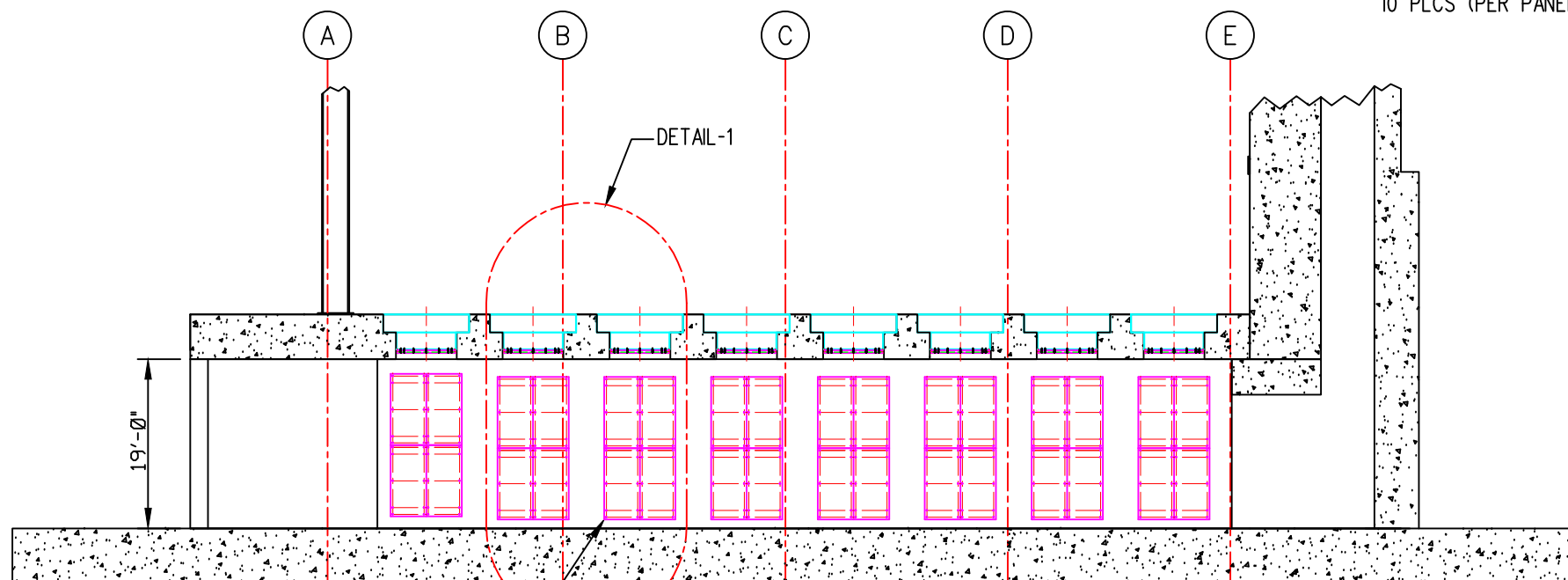
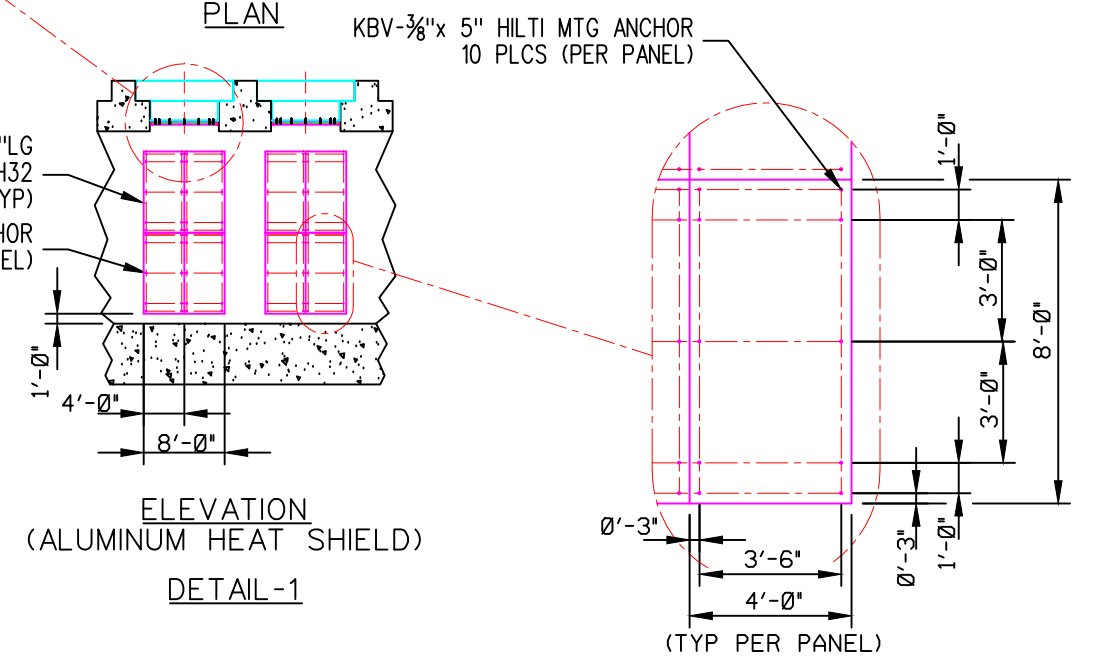
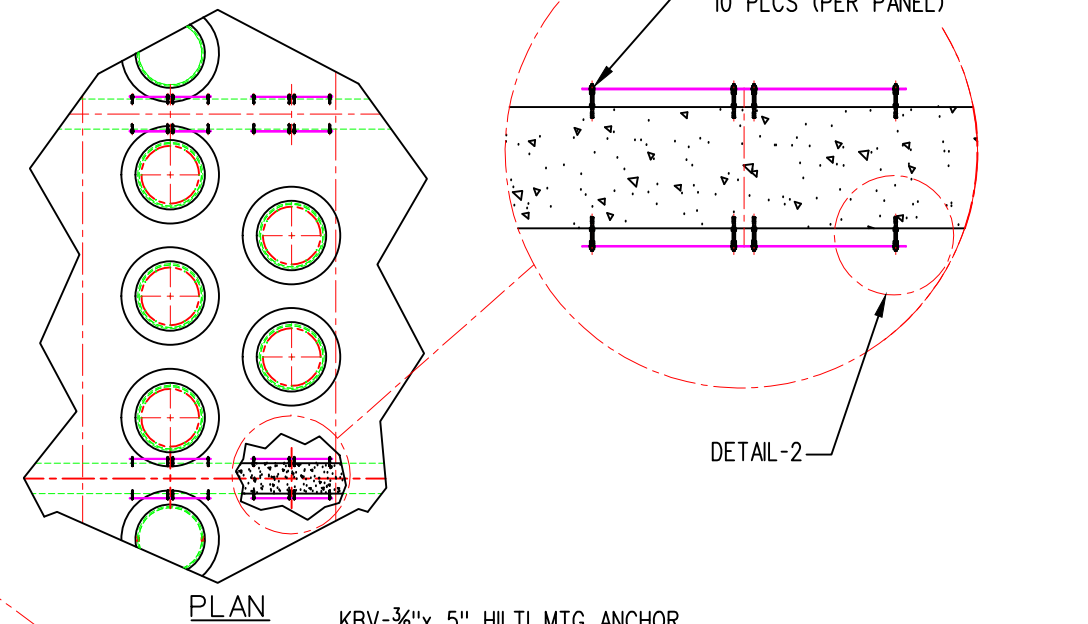
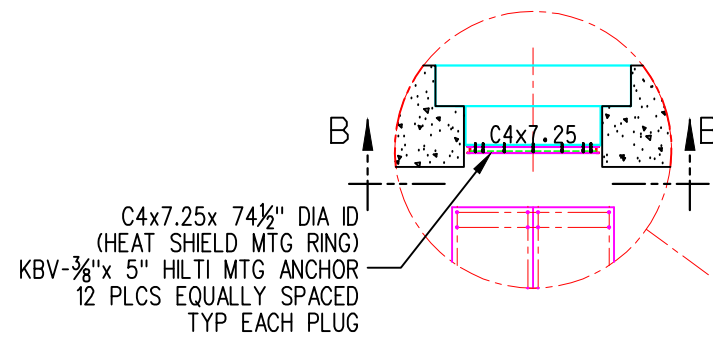
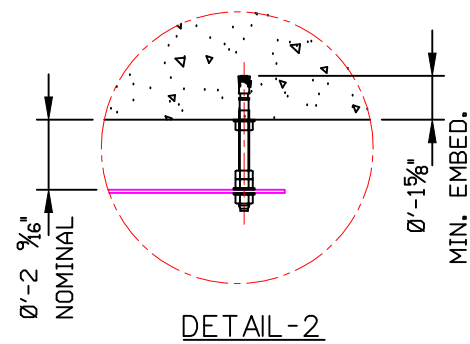
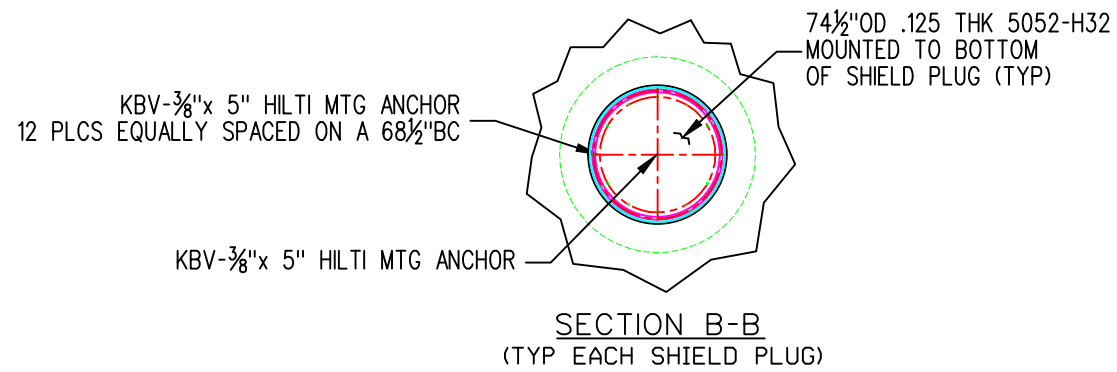


U.S. Department of Energy
Task Order #16
Development of Consolidated
Storage Facility Design Concepts

STRUCTURAL STEEL OUTSIDE ELEVATION

VAULT BUILDING-CAGVA-D, CBGVA-D

T016-S1-CAGV-VB-20



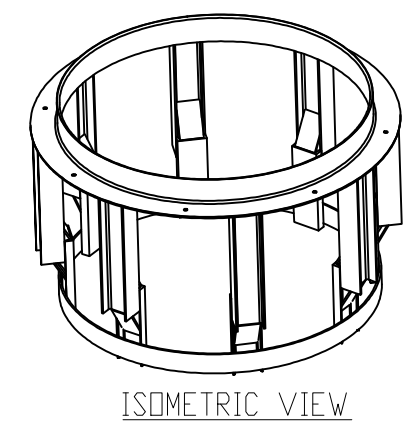
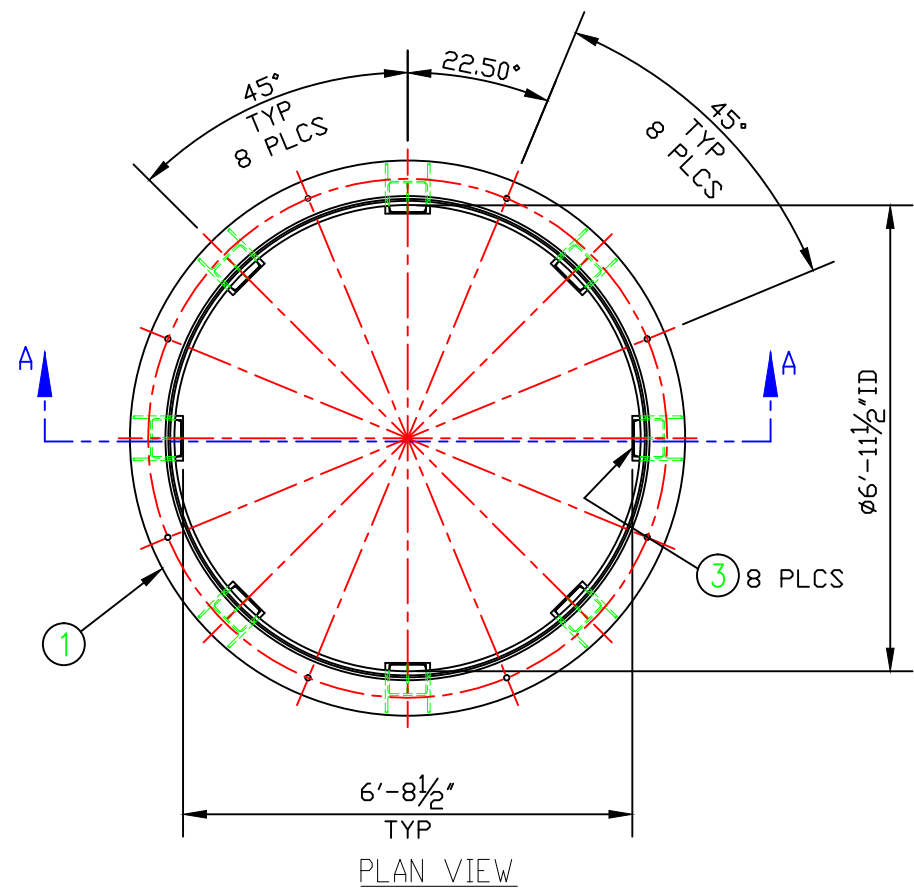
RADIATION HEAT SHIELD PANEL
8 PLCS SOUTH WALL PER BAY
8 PLCS NORTH WALL PER BAY



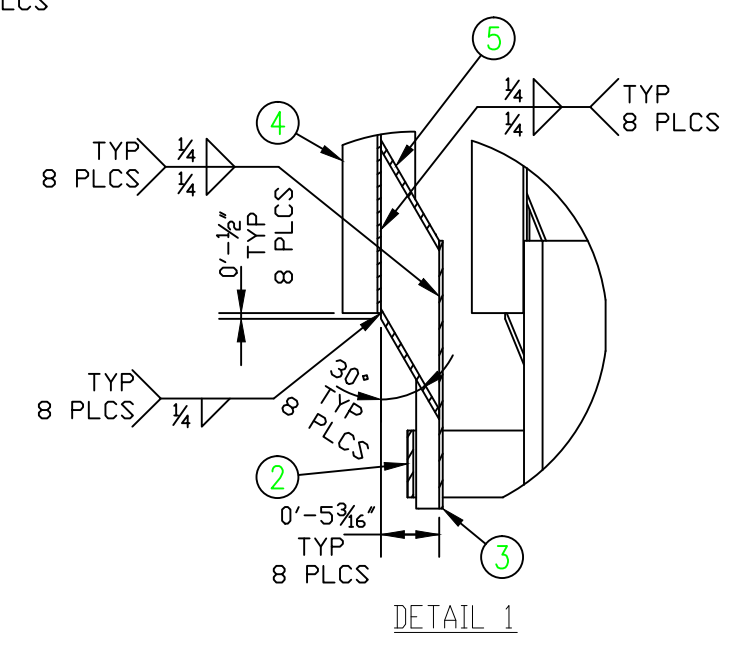
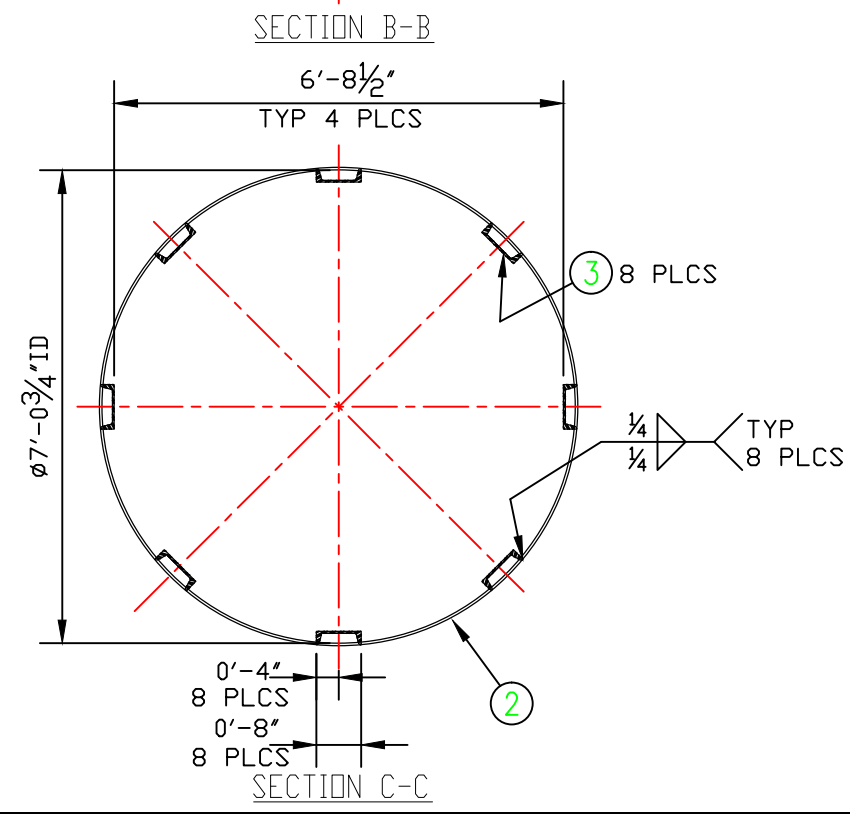
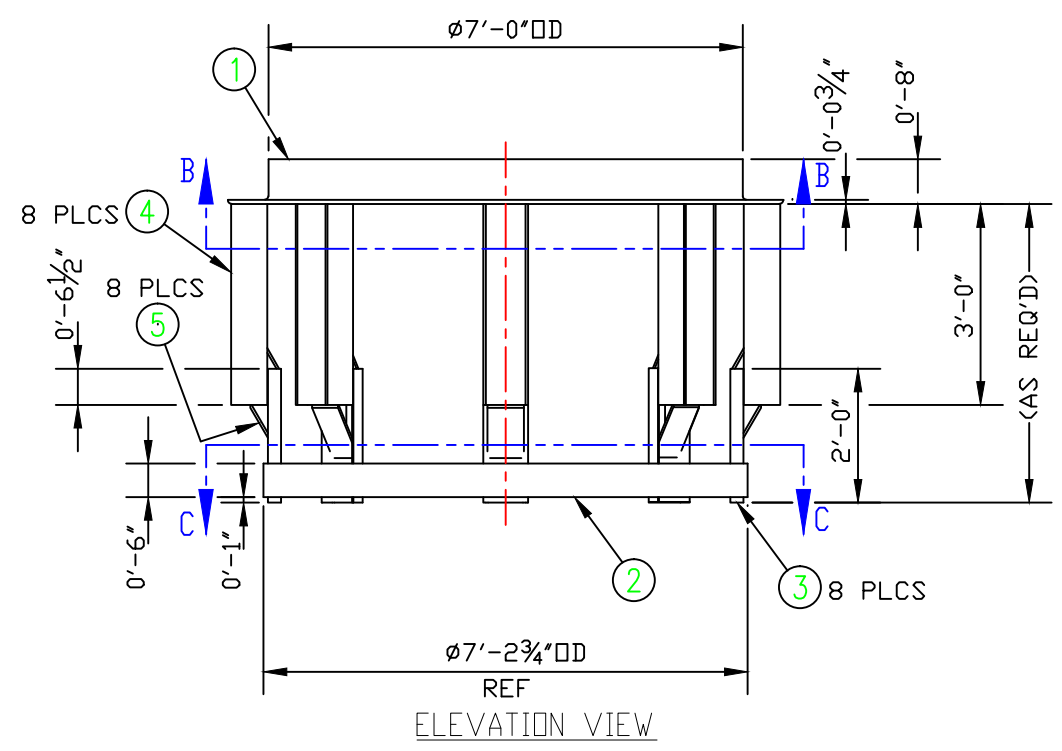
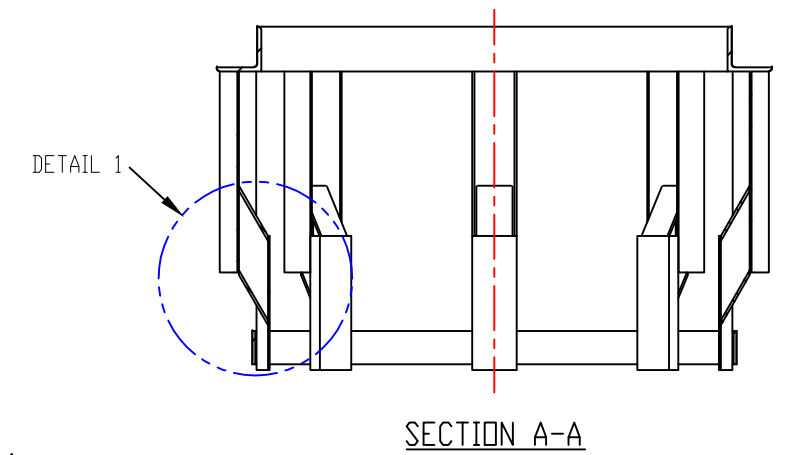
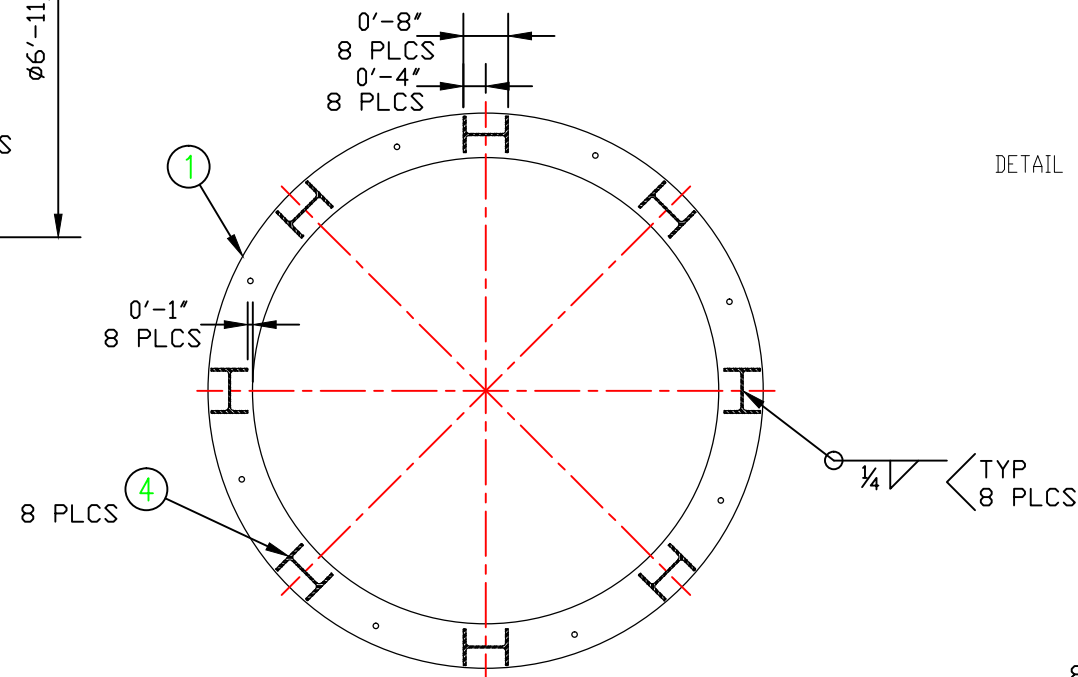
U.S. Department of Energy
Task Order #16
Development of Consolidated
Storage Facility Design Concepts

RADIATION HEAT SHIELDING SECTIONS & DETAILS

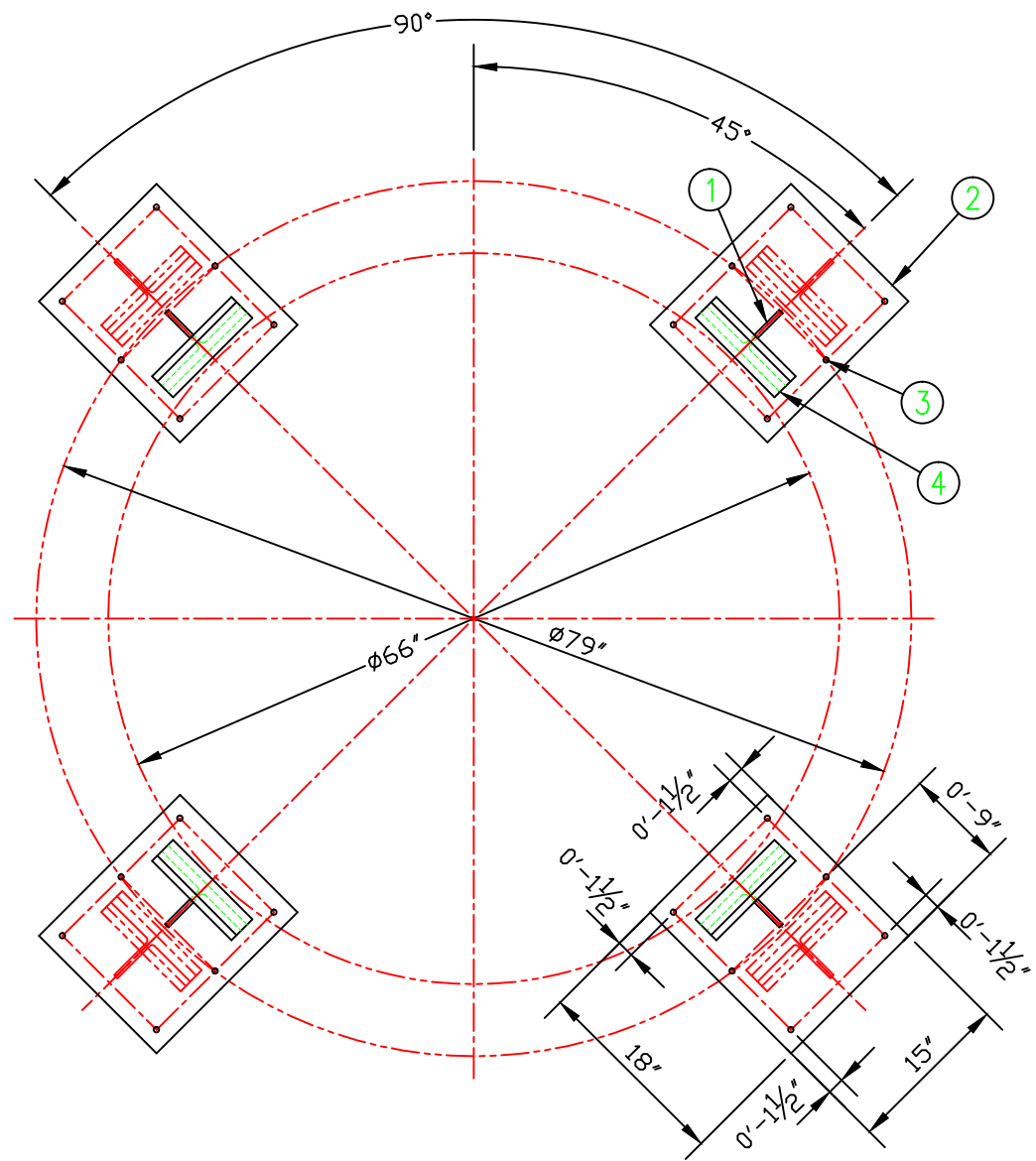
VAULT BUILDING-CAGVA-D, CBGVA-D T016-S1-CBGV-VB-21



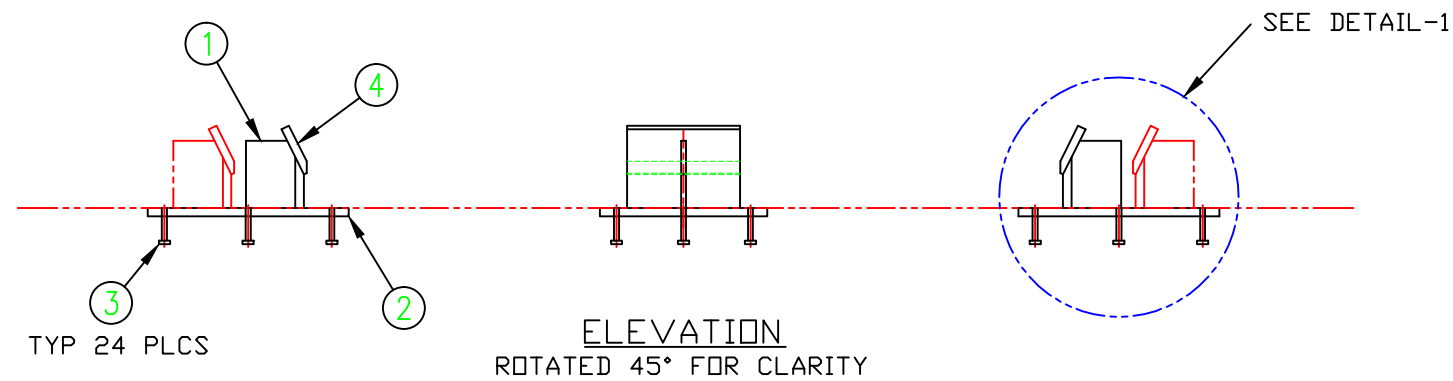
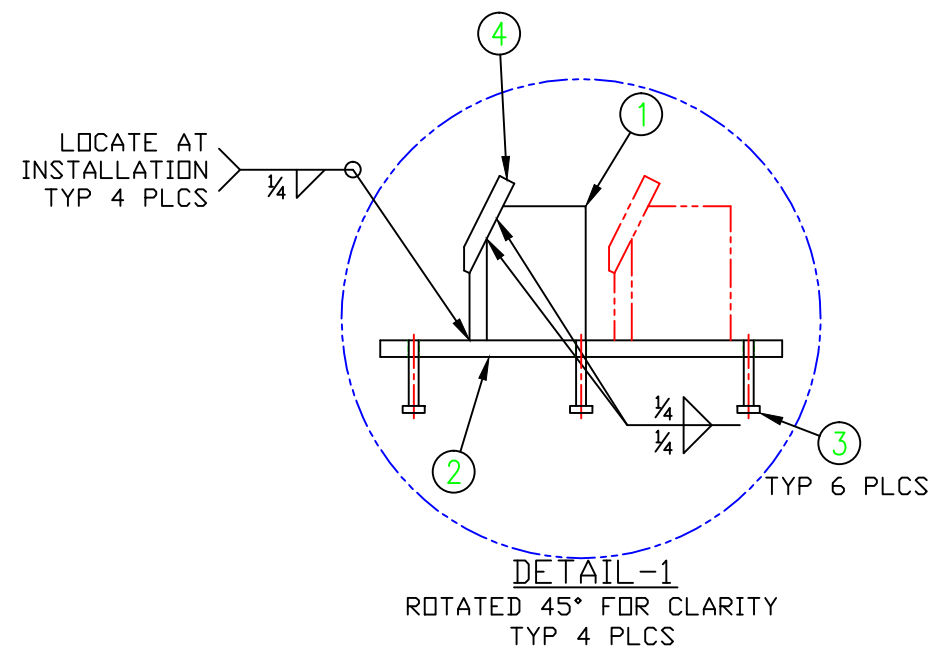
BILL OF MATERIAL				
ITEM	QTY	DESCRIPTION	MATERIAL/MANUFACTURE	REMARKS
1	1	TOP MOUNTING ANGLE	ANGLE: L8x8x3/4", ASTM A 36	
2	1	BOTTOM SUPPORT RING	PLATE: 6"x1/2" THK, ASTM A 36	
3	8	VERTICAL GUIDE CHANNEL	CHANNEL: C8x13.75x2'-0" LG ASTM A 36	
4	8	VERTICAL SUPPORT FLANGE	WIDE FLANGE: W8x28x3'-0" LG ASTM A 36	
5	8	ANGLE SUPPORT FLANGE	WIDE FLANGE: W8x28x2'-1/4" LG ASTM A 36	



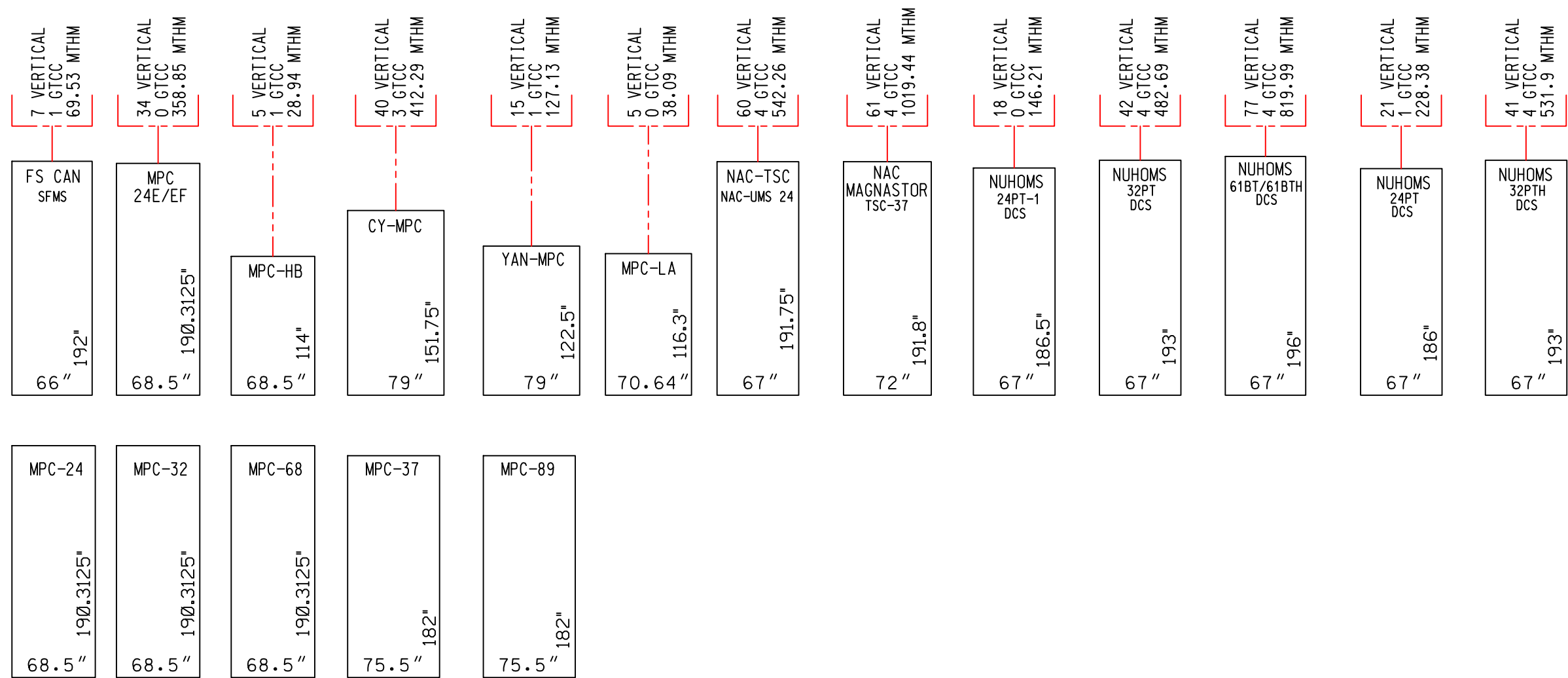
U.S. Department of Energy
Task Order #16
Development of Consolidated
Storage Facility Design Concepts



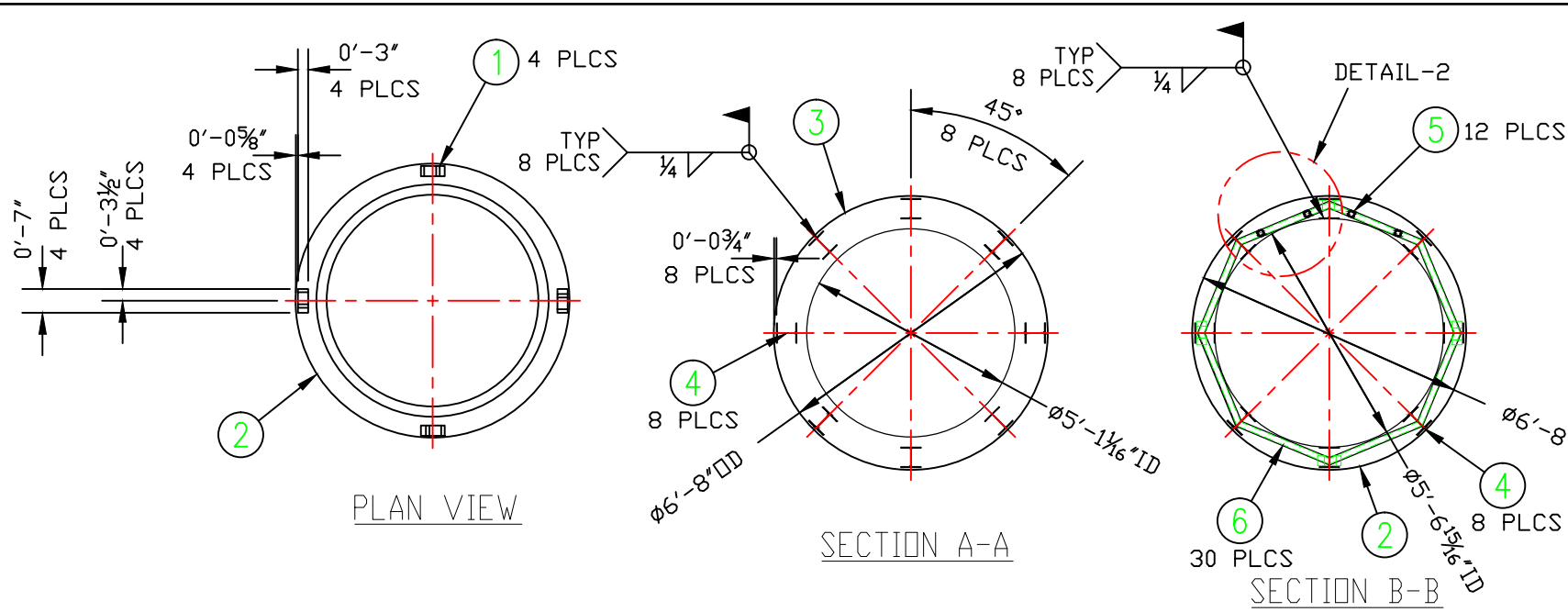
BILL OF MATERIAL				
ITEM	QTY	DESCRIPTION	MATERIAL/MANUFACTURE	REMARKS
1	4	VERTICAL MOUNTING TEE	TEE: WT5x34, ASTM A 36	
2	4	BASE PLATE	PLATE: 18"x15"x $\frac{3}{4}$ " THK, ASTM A 36	
3	24	MOUNTING STUDS	H4L $\frac{1}{2}$ " DIA x $\frac{1}{8}$ " LG	
4	4	GUIDE PLATE	PLATE: 5"x4 $\frac{1}{2}$ " x $\frac{3}{4}$ " THK, ASTM A 36	



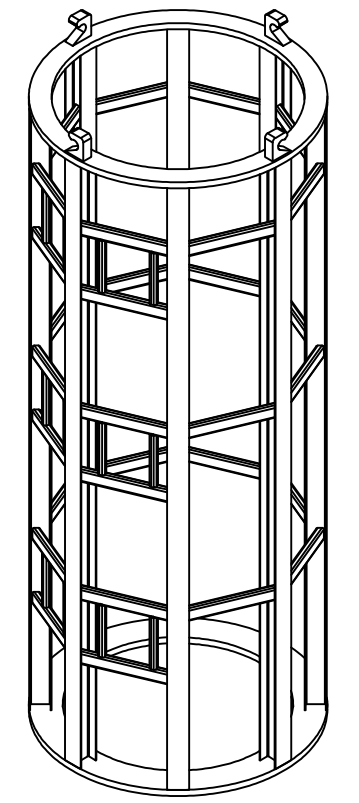
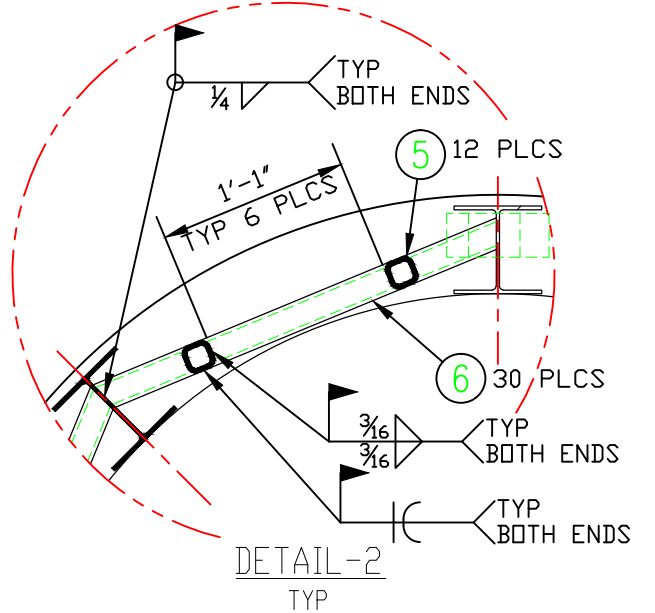
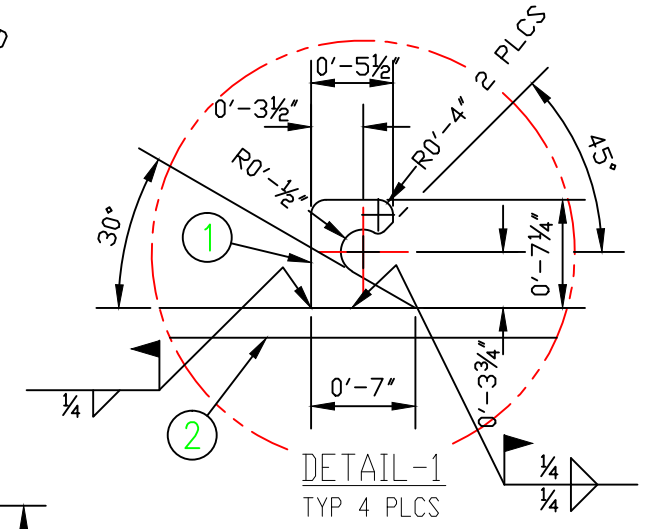
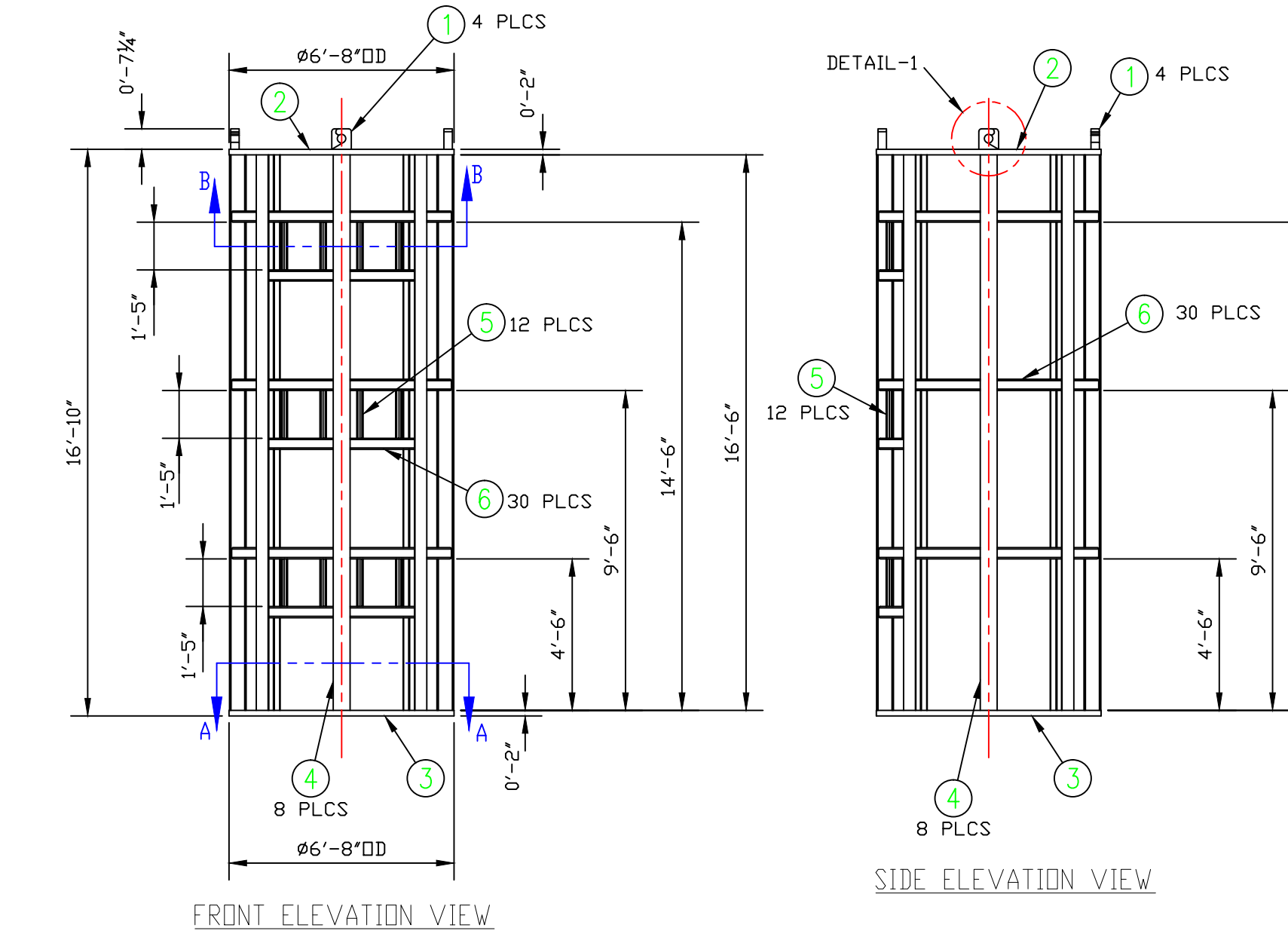
U.S. Department of Energy
Task Order #16
Development of Consolidated
Storage Facility Design Concepts



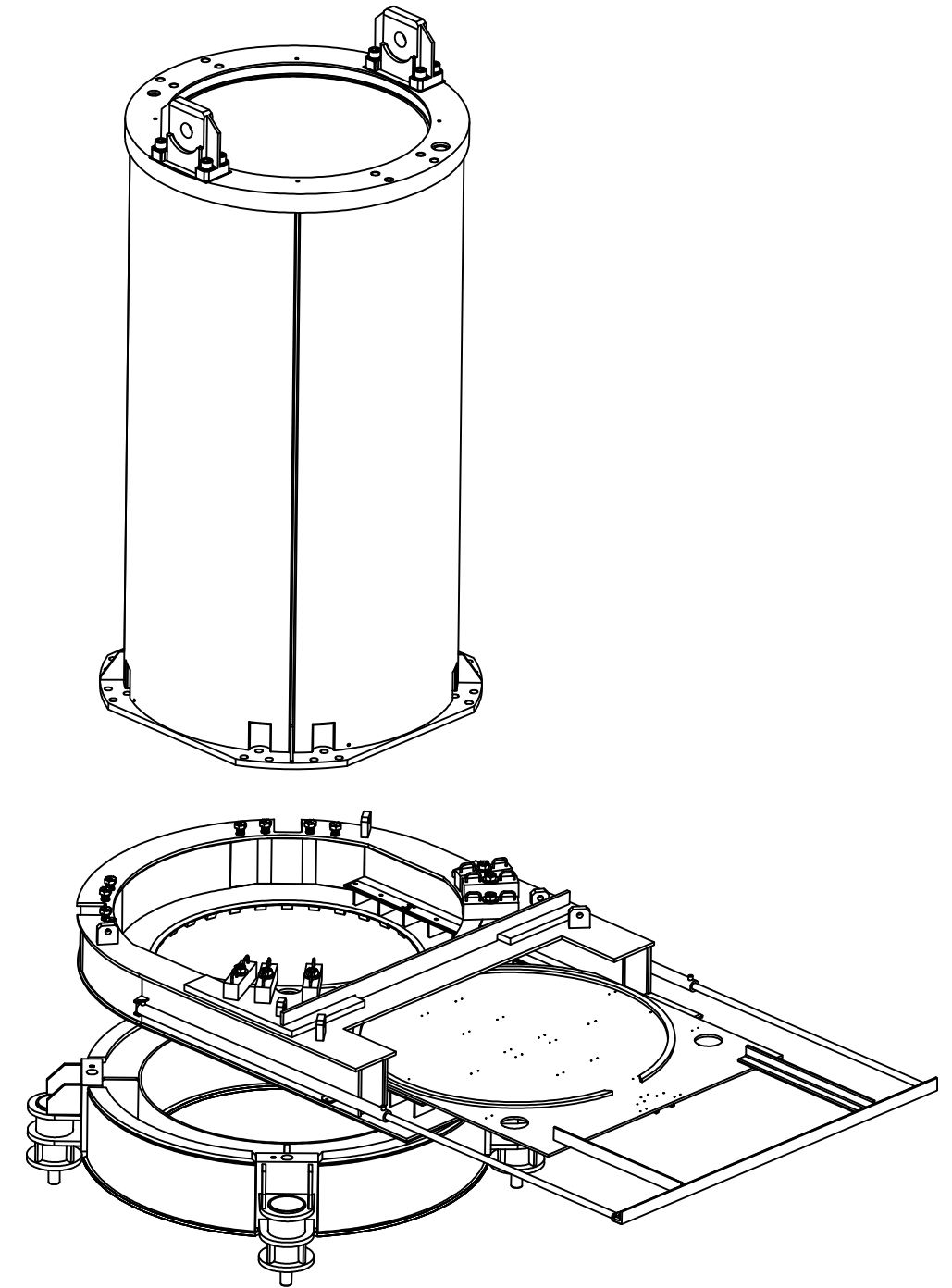
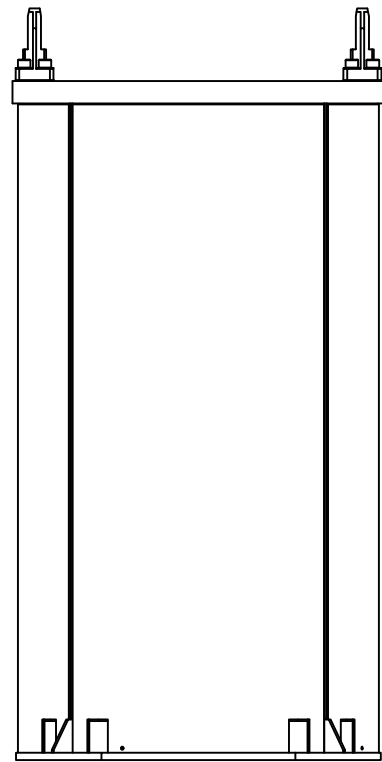
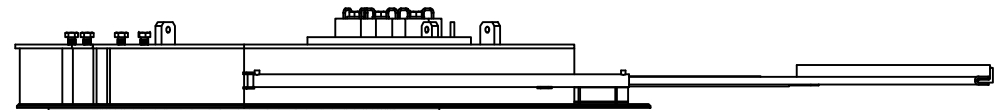
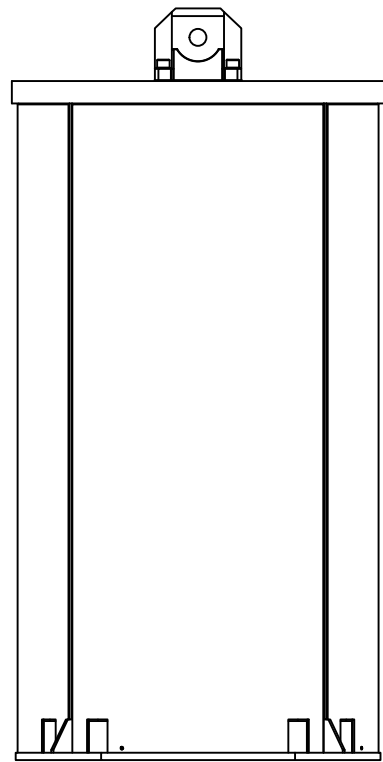
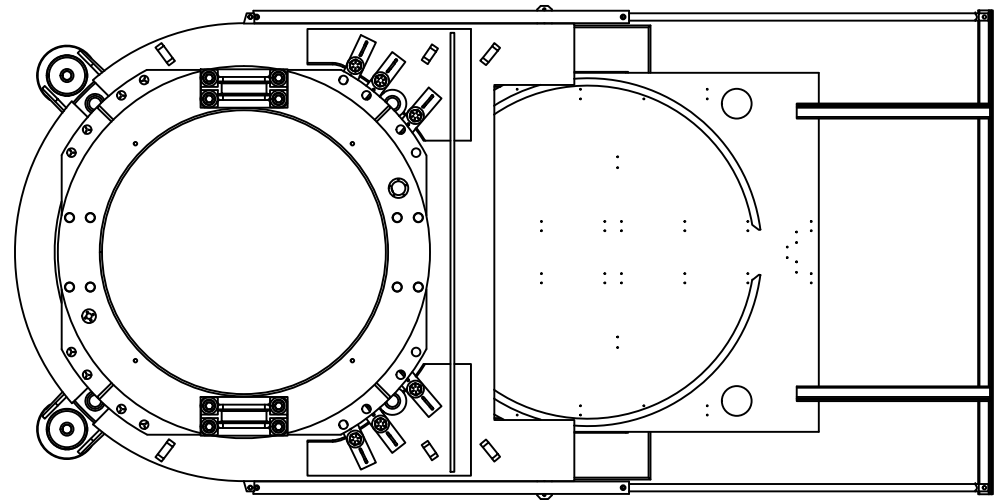
U.S. Department of Energy
 Task Order #16
 Development of Consolidated
 Storage Facility Design Concepts



BILL OF MATERIAL				
ITEM	QTY	DESCRIPTION	MATERIAL/MANUFACTURE	REMARKS
1	4	LIFT HOOK	BAR: 7"x3" THK, ASTM A 36	
2	1	TOP SUPPORT RING	PLATE: 06'-8"x2" THK, ASTM A 36	
3	1	BOTTOM SUPPORT RING	PLATE: 06'-8"x2" THK, ASTM A 36	
4	8	VERTICAL SUPPORT COLUMN	WIDE FLANGE: W6x15x6'-6" LG, ASTM A 36	
5	12	VERTICAL SUPPORT BAR	SQ TUBING: 4"x4"x1/2" THK x1'-5" LG, ASTM A 500	
6	30	HORIZONTAL CROSS BAR	SQ TUBING: 4"x4"x1/2" THK x2'-5 3/4" LG, ASTM A 500	



U.S. Department of Energy
 Task Order #16
 Development of Consolidated
 Storage Facility Design Concepts

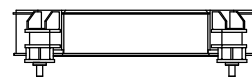
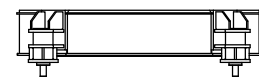
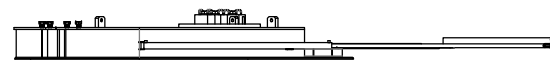
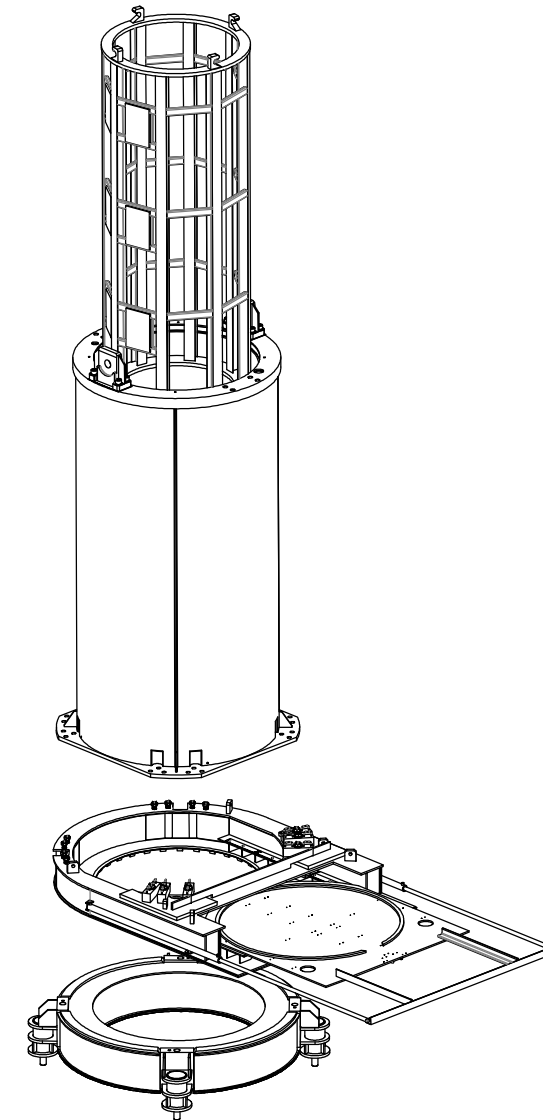
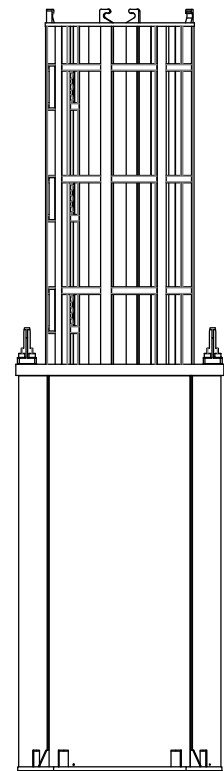
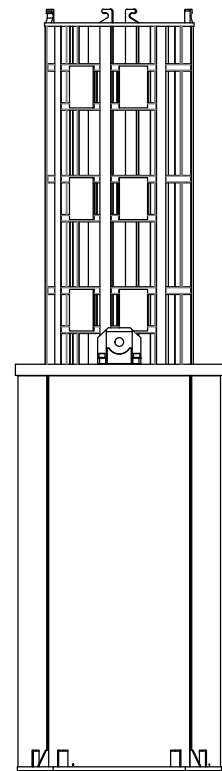
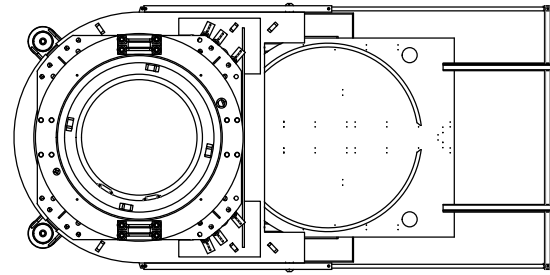


U.S. Department of Energy
 Task Order #16
 Development of Consolidated
 Storage Facility Design Concepts

VERTICAL TRANSFER CASK-MATING DEVICE ADAPTER ASS'Y

ISF CONTAINERS

TO-S1-CPAD-CON-3

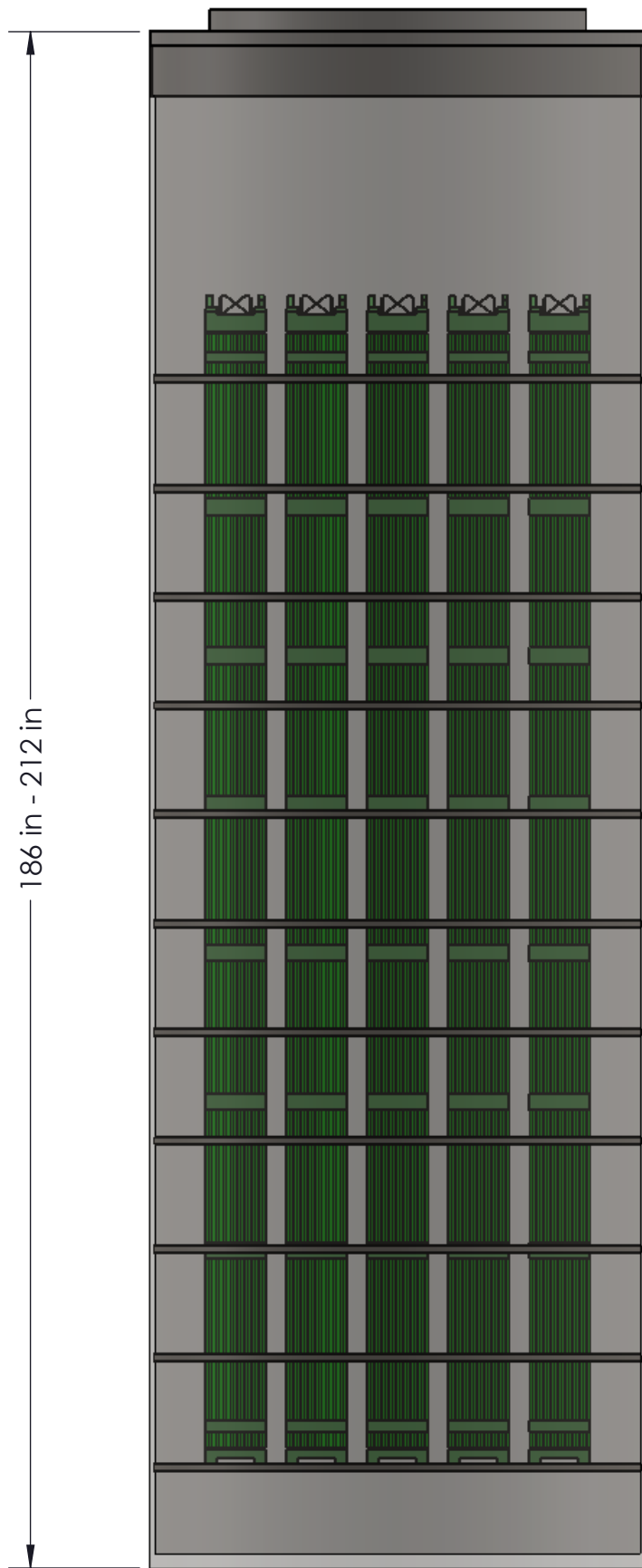


U.S. Department of Energy
 Task Order #16
 Development of Consolidated
 Storage Facility Design Concepts

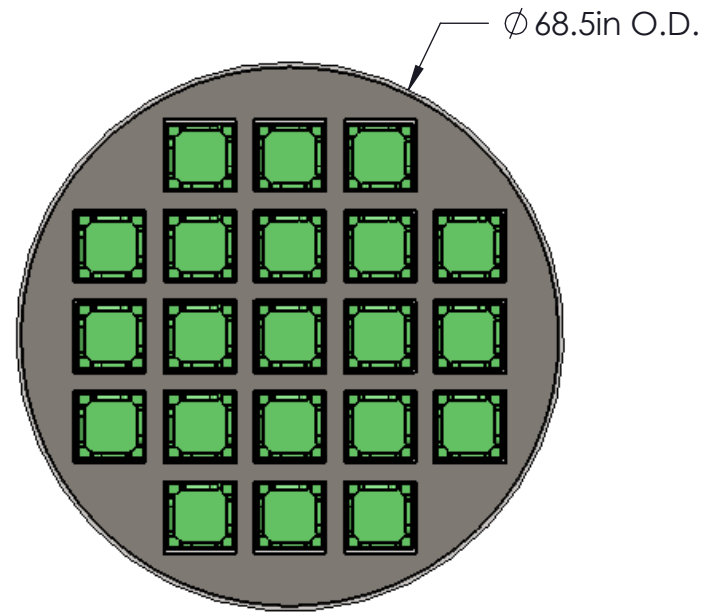
HORIZONTAL TRANSFER CASK-MATING DEVICE ADAPTER ASS'Y

ISF CONTAINERS

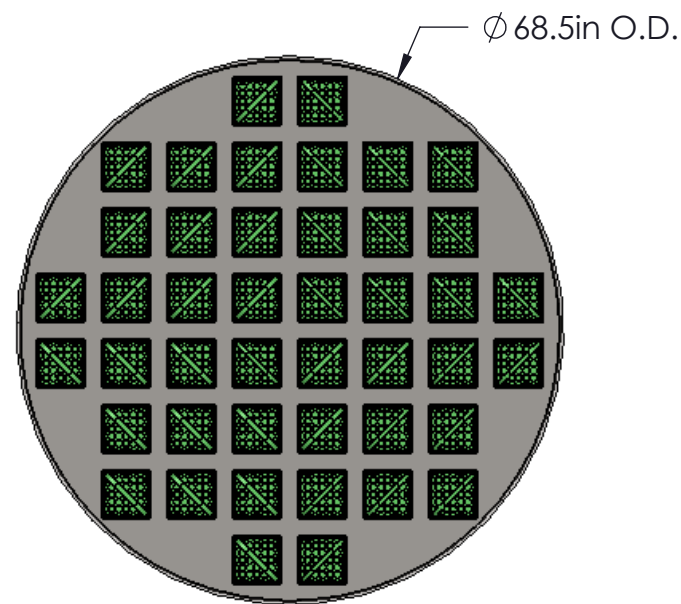
TO-S1-CPAD-CON-4



Large STAD Canister



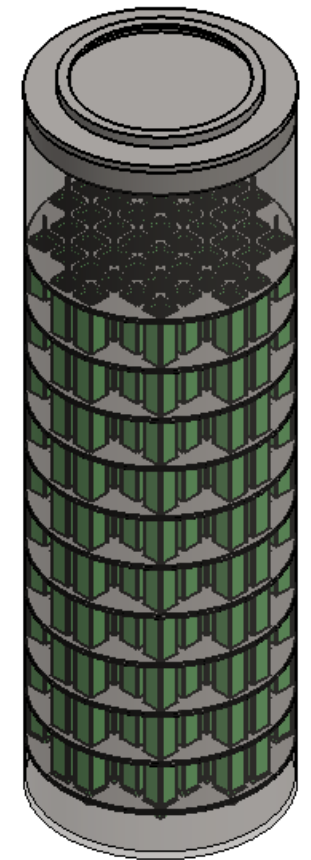
Large STAD Canister
21 PWR



Large STAD Canister
44 BWR



Large STAD Canister
21 PWR



Large STAD Canister
44 BWR

MAX. WEIGHT W/FUEL = 108,500 LBS.

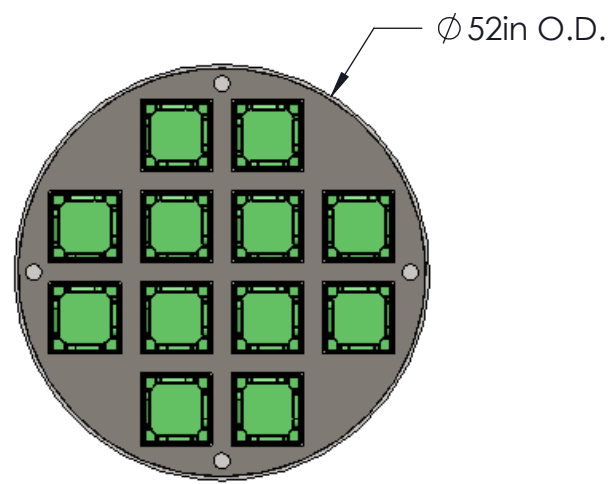
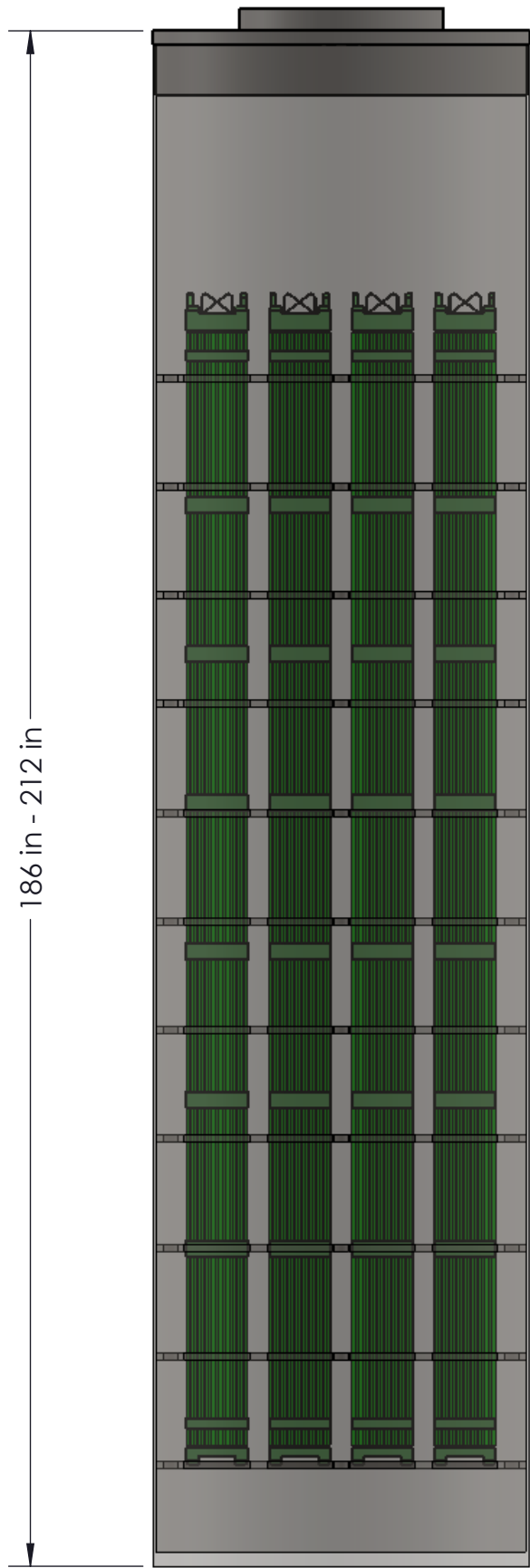


U.S. Department of Energy
Task Order #16
Development of Consolidated
Storage Facility Design Concepts

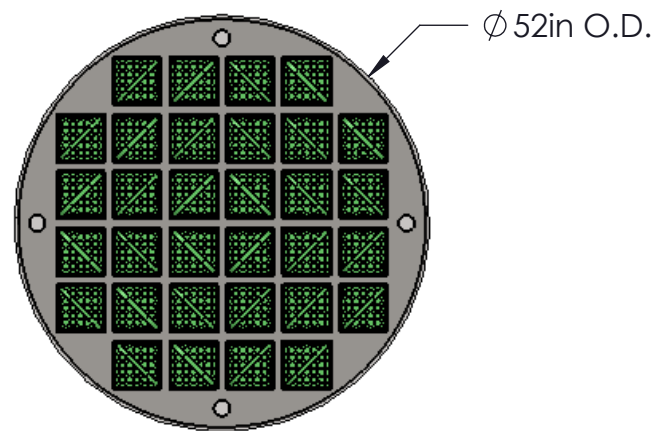
LARGE STAD CANISTER

ISF CONTAINERS

TO16-S1-CPAD-CON-5

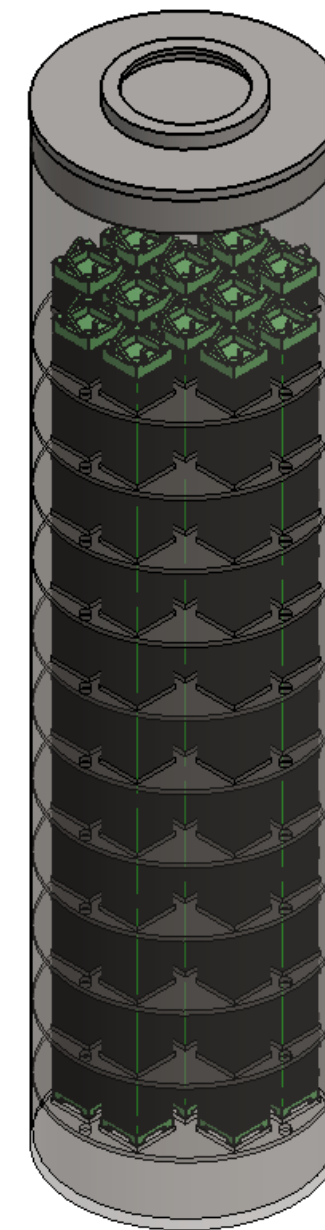


Medium STAD Canister
12 PWR

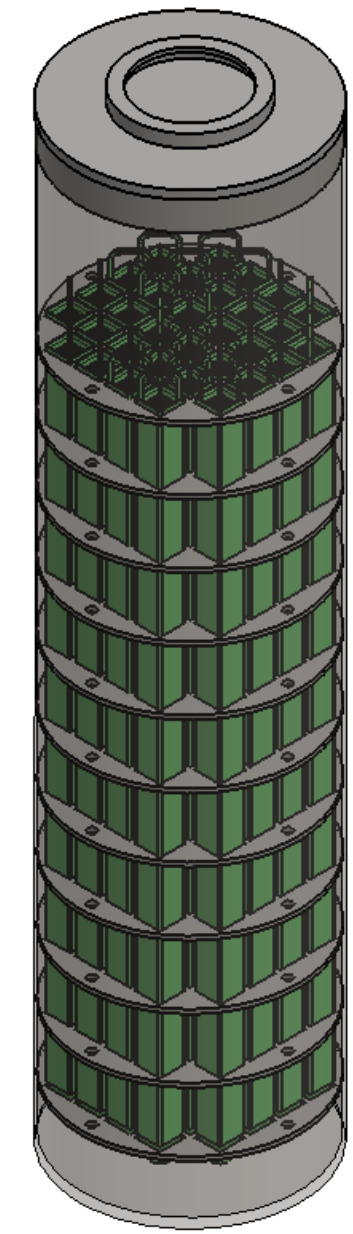


Medium STAD Canister
32 BWR

Medium STAD Canister



Medium STAD Canister
12 PWR



Medium STAD Canister
32 BWR

MAX. WEIGHT W/FUEL = 50,000 LBS.

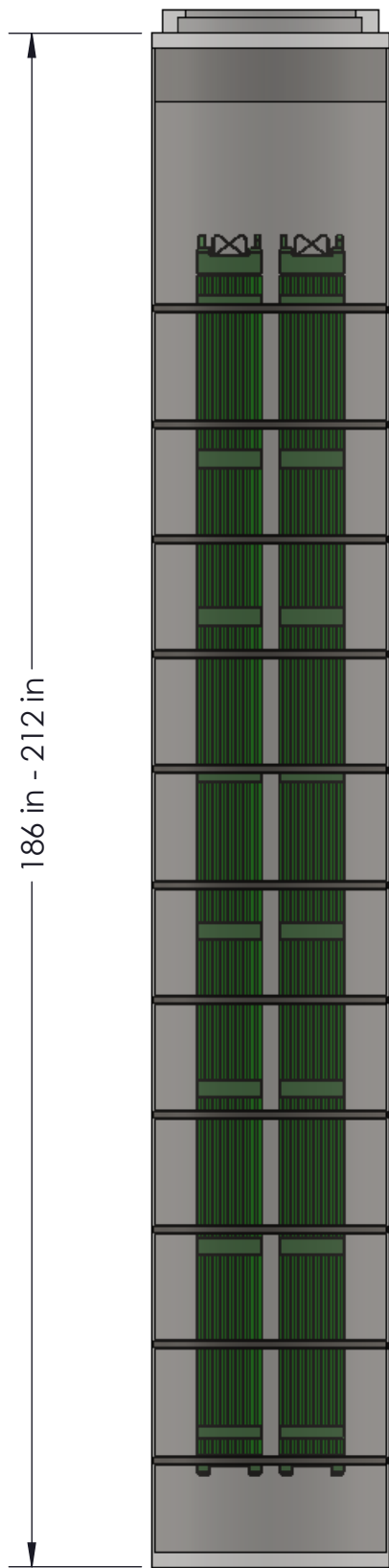


U.S. Department of Energy
Task Order #16
Development of Consolidated
Storage Facility Design Concepts

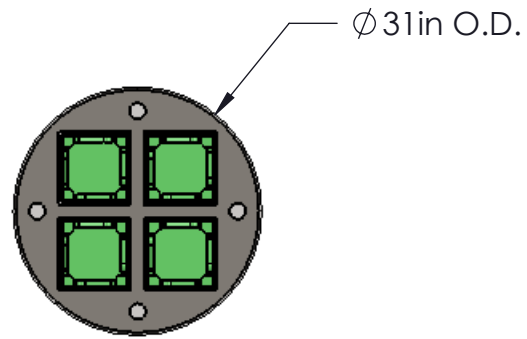
MEDIUM STAD CANISTER

ISF CONTAINERS

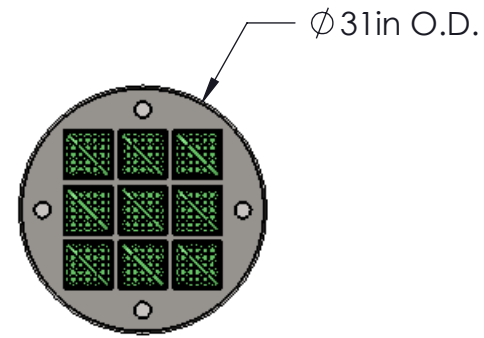
TO16-S1-CPAD-CON-6



Small STAD Canister



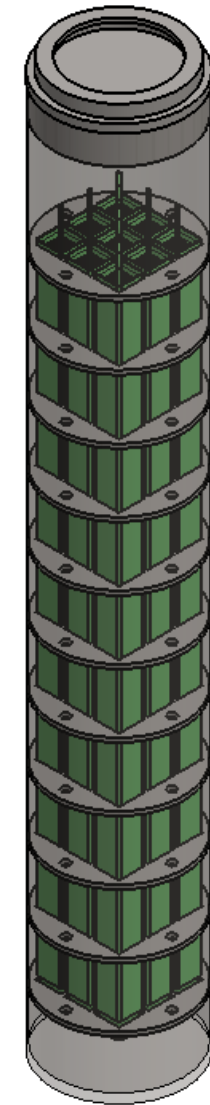
Small STAD Canister
4 PWR



Small STAD Canister
9 BWR



Small STAD Canister
4 PWR



Small STAD Canister
9 PWR

MAX. WEIGHT W/FUEL = 16,600 LBS.

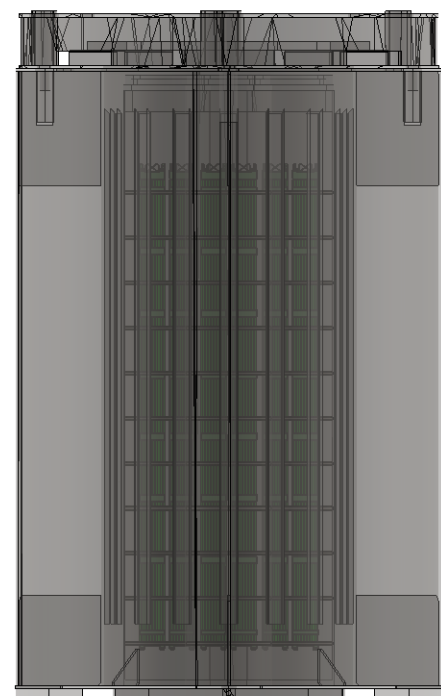
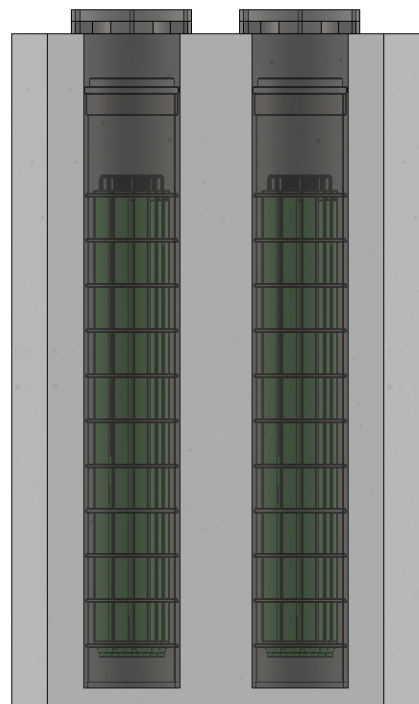
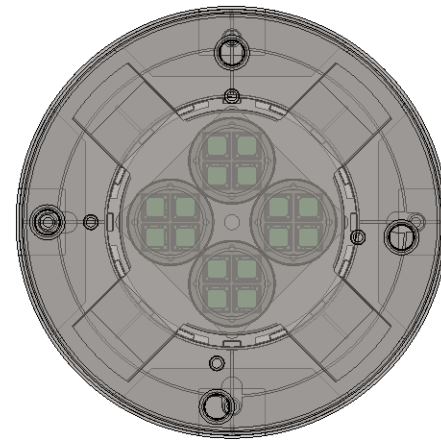
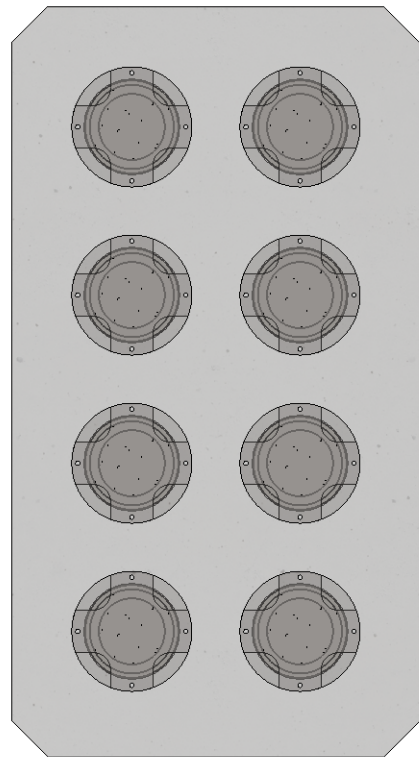


U.S. Department of Energy
Task Order #16
Development of Consolidated
Storage Facility Design Concepts

SMALL STAD CANISTER

ISF CONTAINERS

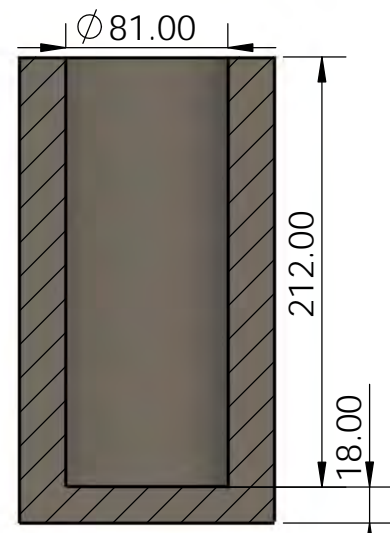
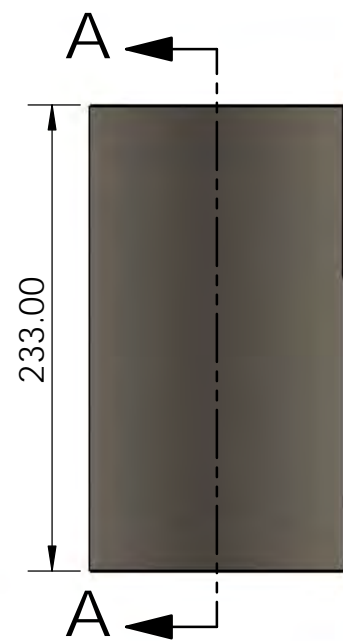
TO16-S1-CPAD-CON-7



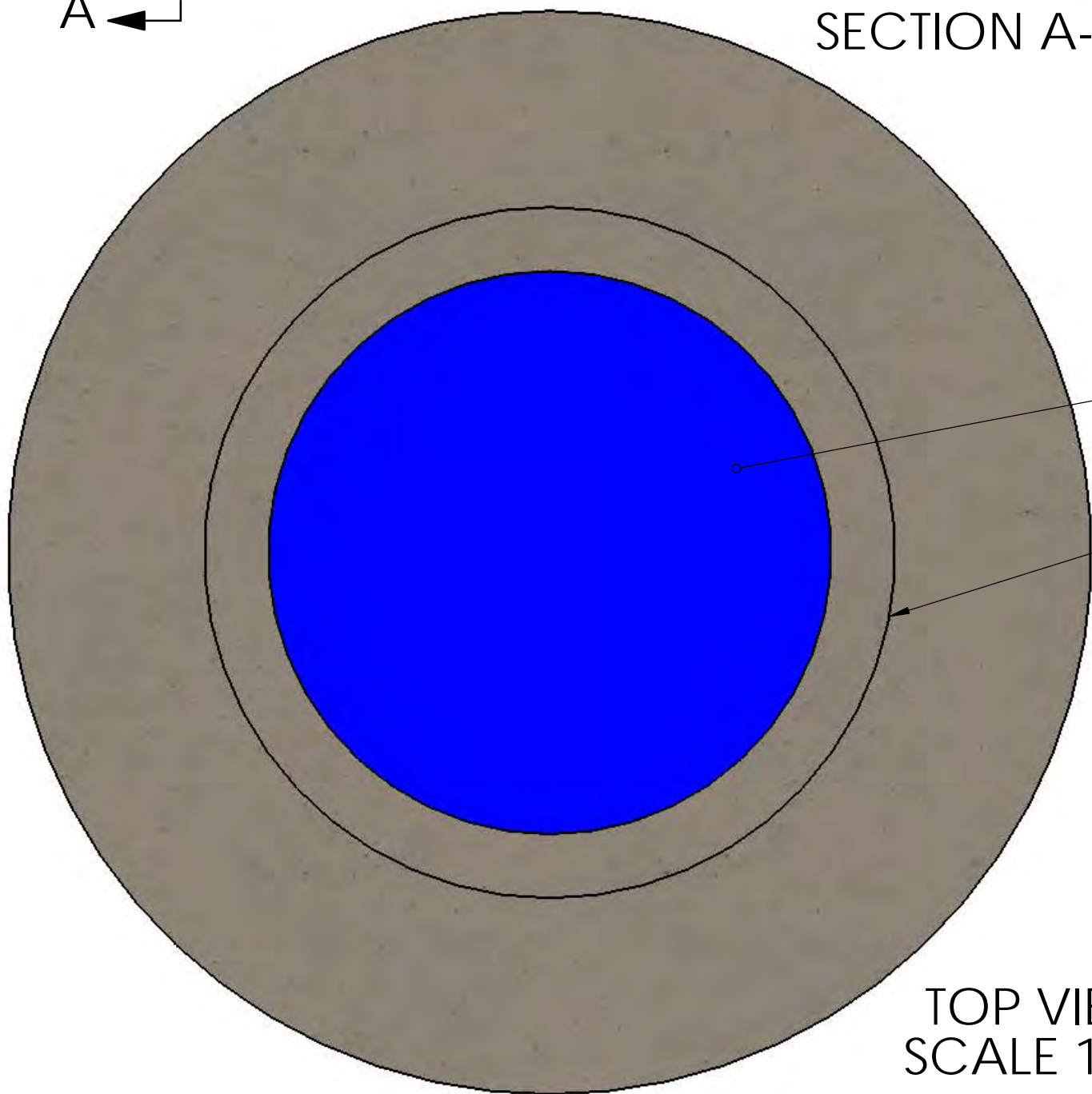
8 BLOCK OVERPACK
W/ 8 Small STAD Canisters

VERTICAL OVERPACK
W/ 4 Small STAD Canisters

	<p>U.S. Department of Energy Task Order #16 Development of Consolidated Storage Facility Design Concepts</p>
<p>SMALL STAD MULTI-CAN ALTERNATIVES</p>	
<p>ISF CONTAINERS</p>	<p>TO16-S1-CPAD-CON-8</p>

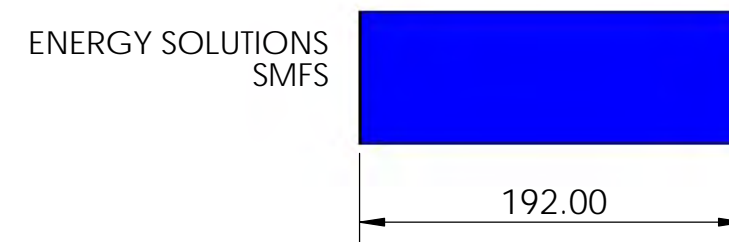


SECTION A-A



TOP VIEW
SCALE 1/18

- 66.00" DIAMETER ENERGY SOLUTIONS SFMS
- 81.00" CASK INNER DIAMETER

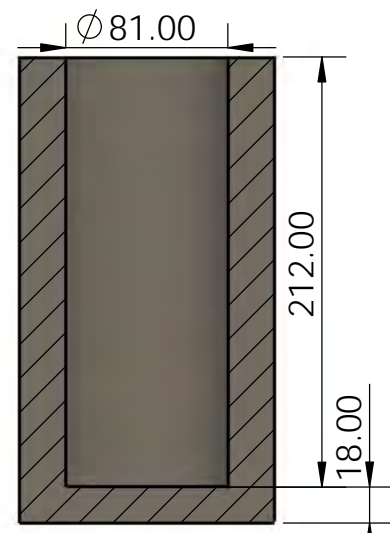
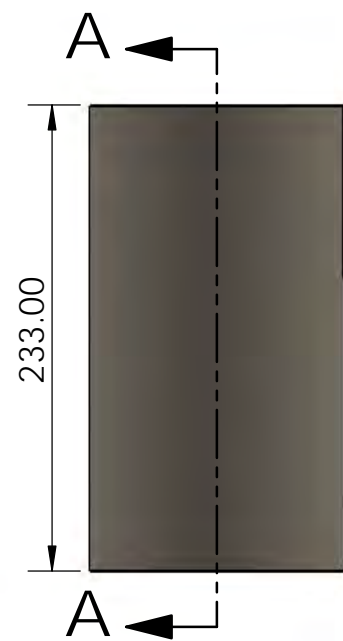


U.S. Department of Energy
Task Order #16
Development of Consolidated
Storage Facility Design Concepts

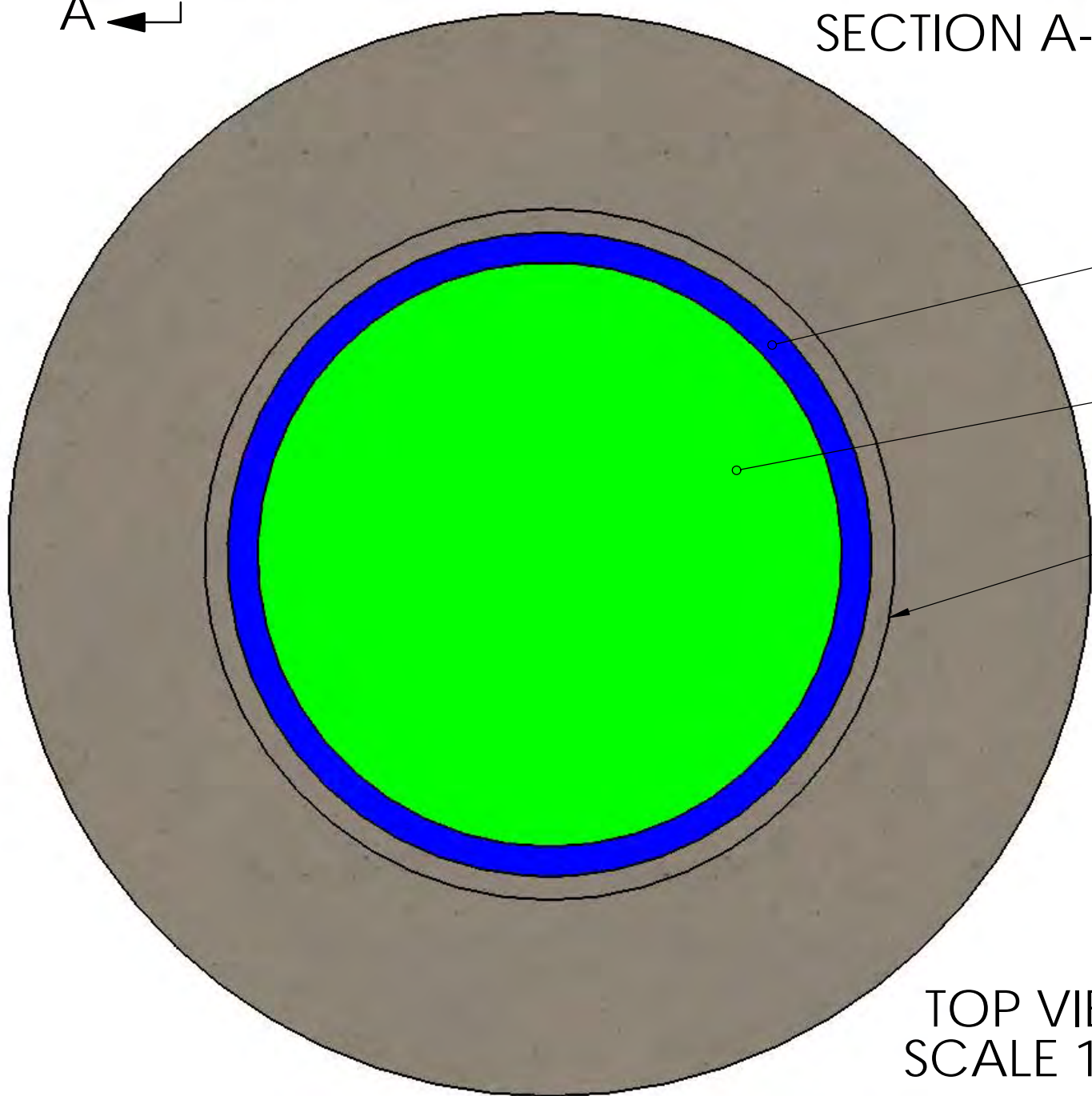
ENERGY SOLUTIONS VERTICAL STANDARD OVERPACK

ISF CONTAINERS

TO16-S1-CSTD-CON-9

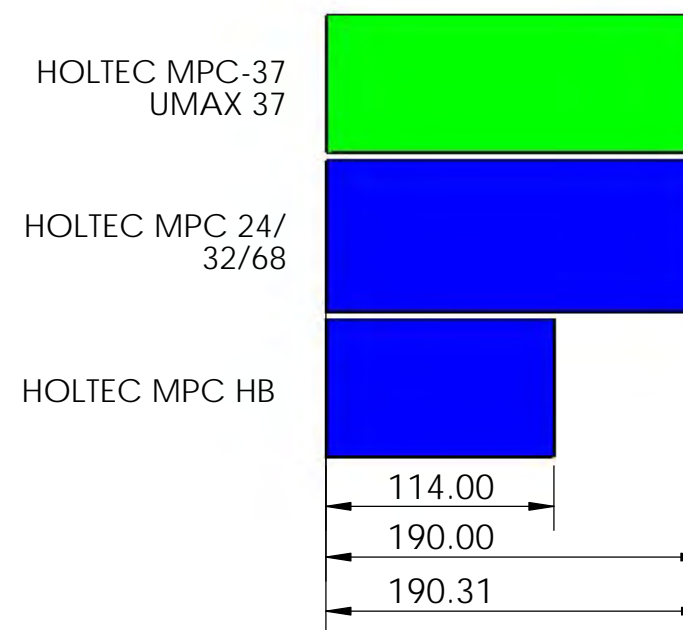


SECTION A-A



TOP VIEW
SCALE 1/18

- 75.50" DIAMETER
HOLTEC MPC 37
HOLTEC UMAX 37
- 68.50" DIAMETER
HOLTEC MPC 24/32/68
HOLTEC MPC HB
- 81.00" CASK INNER DIAMETER

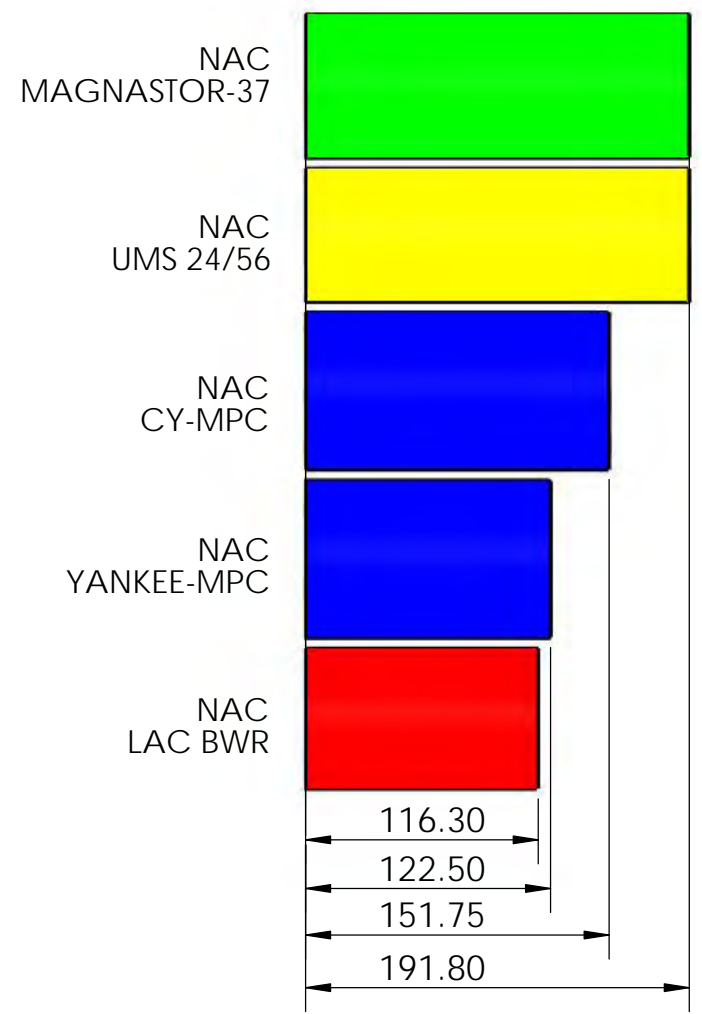
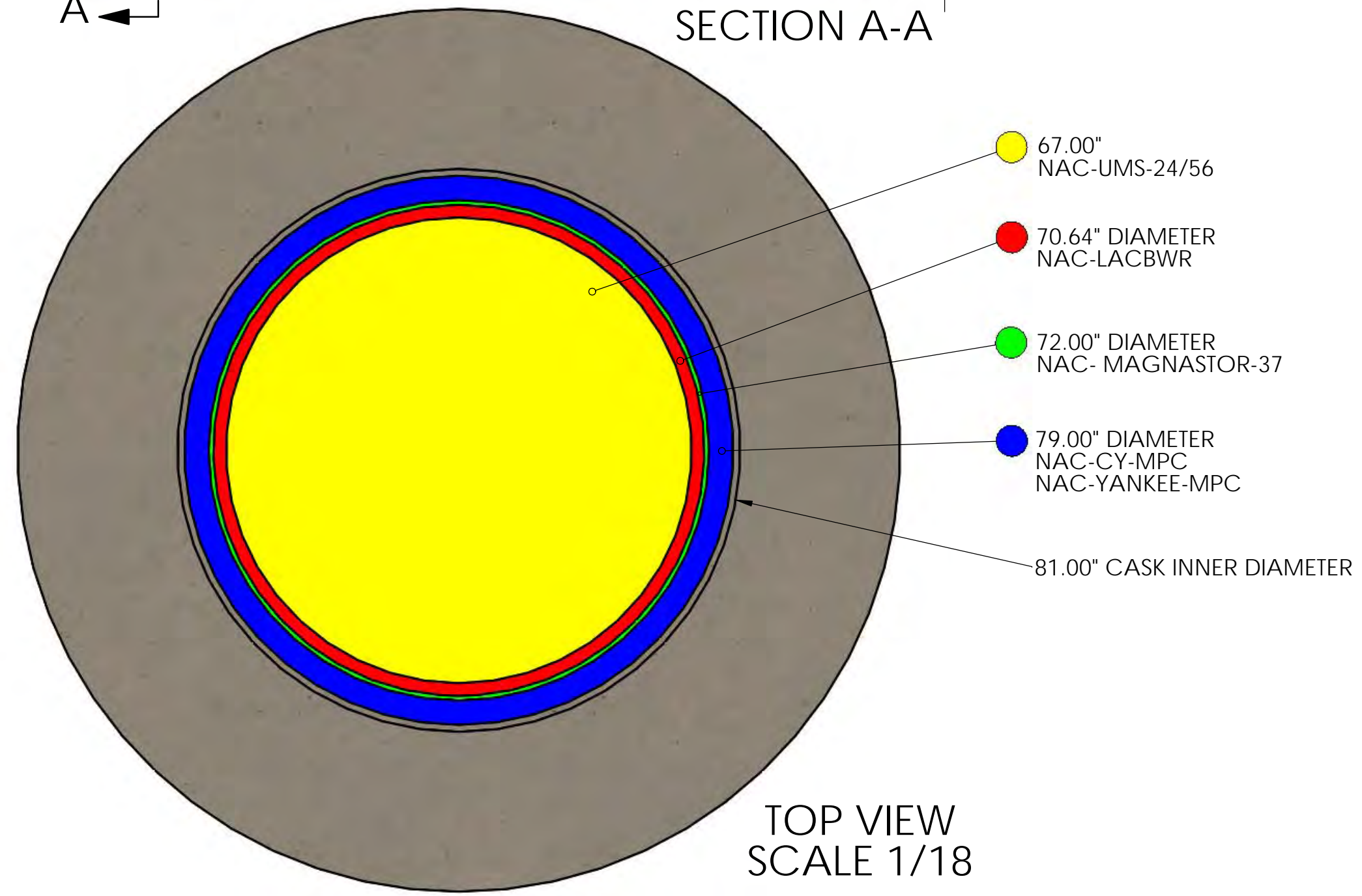
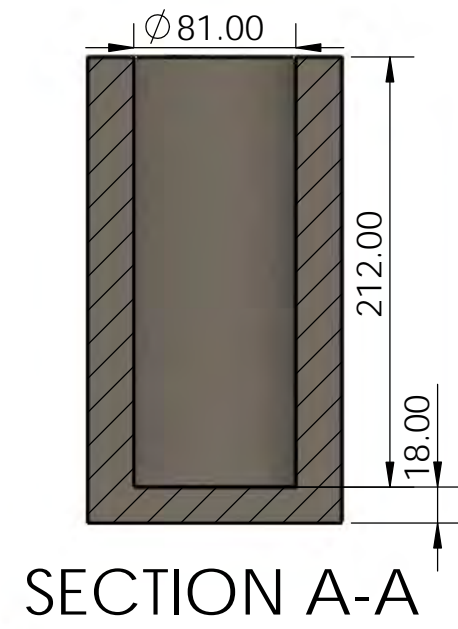
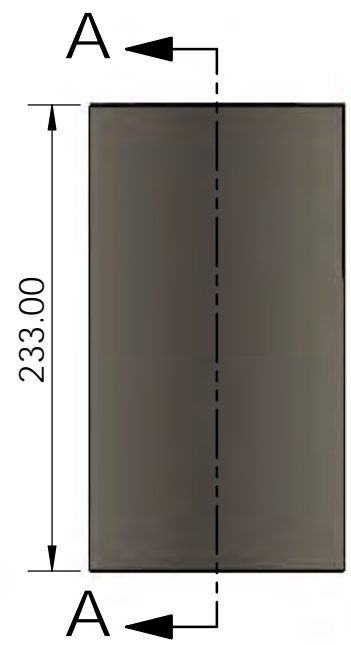


U.S. Department of Energy
Task Order #16
Development of Consolidated
Storage Facility Design Concepts

HOLTEC VERTICAL STANDARD OVERPACK

ISF CONTAINERS

TO16-S1-CSTD-CON-10

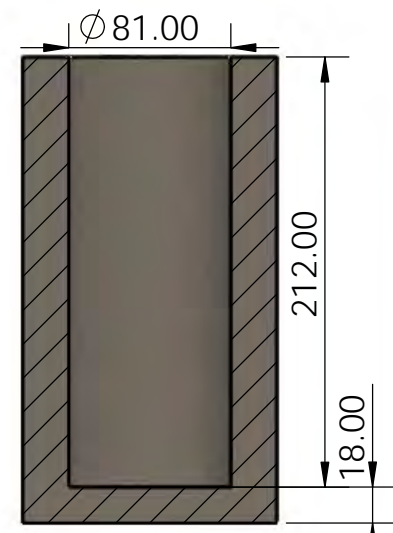
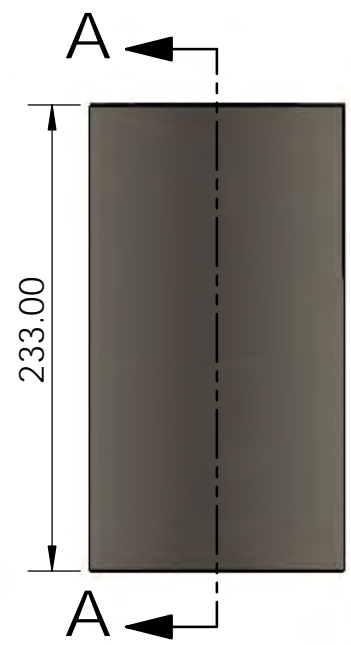


U.S. Department of Energy
 Task Order #16
 Development of Consolidated
 Storage Facility Design Concepts

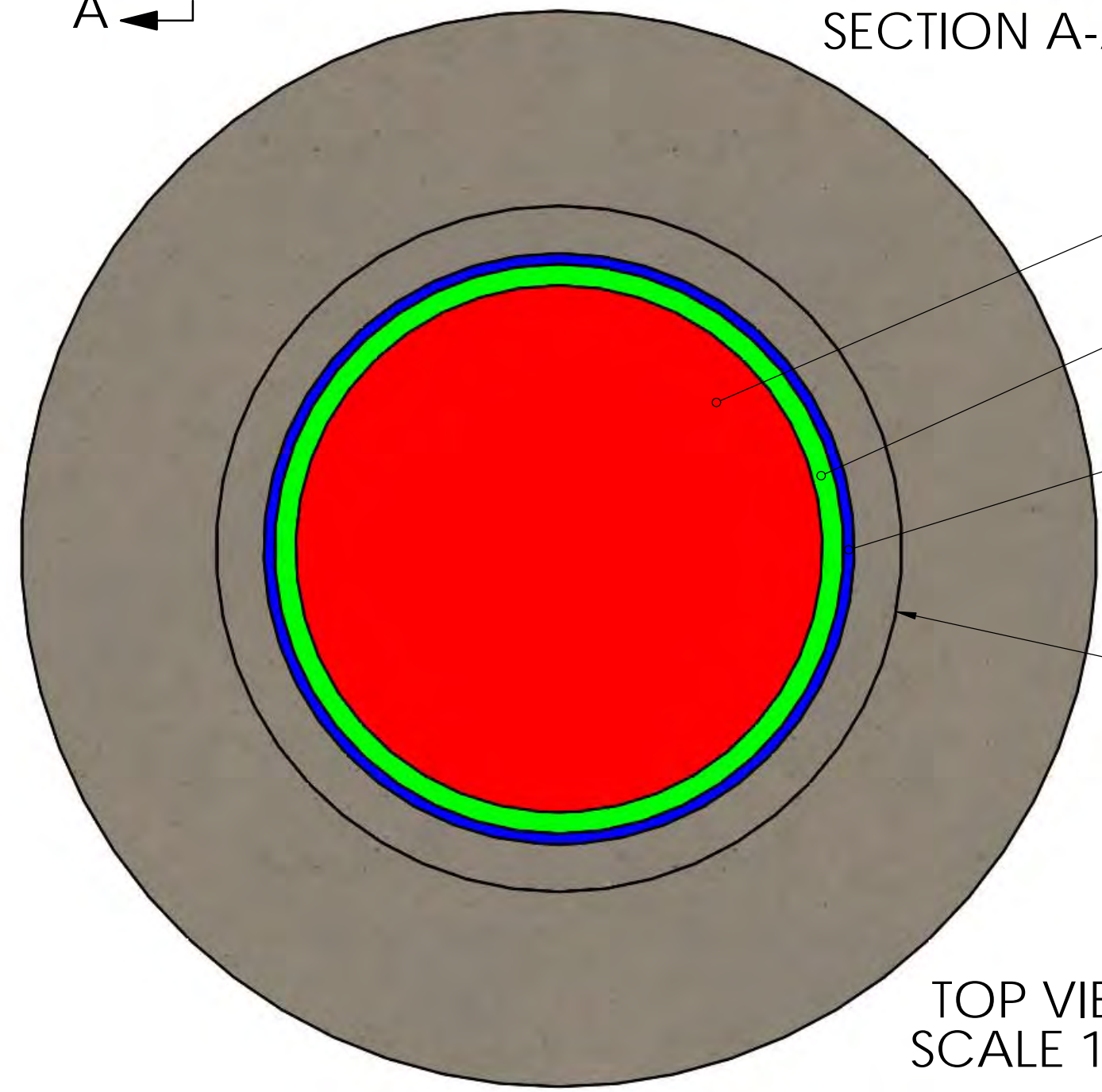
NAC VERTICAL STANDARD OVERPACK

ISF CONTAINERS

TO16-S1-CSTD-CON-11

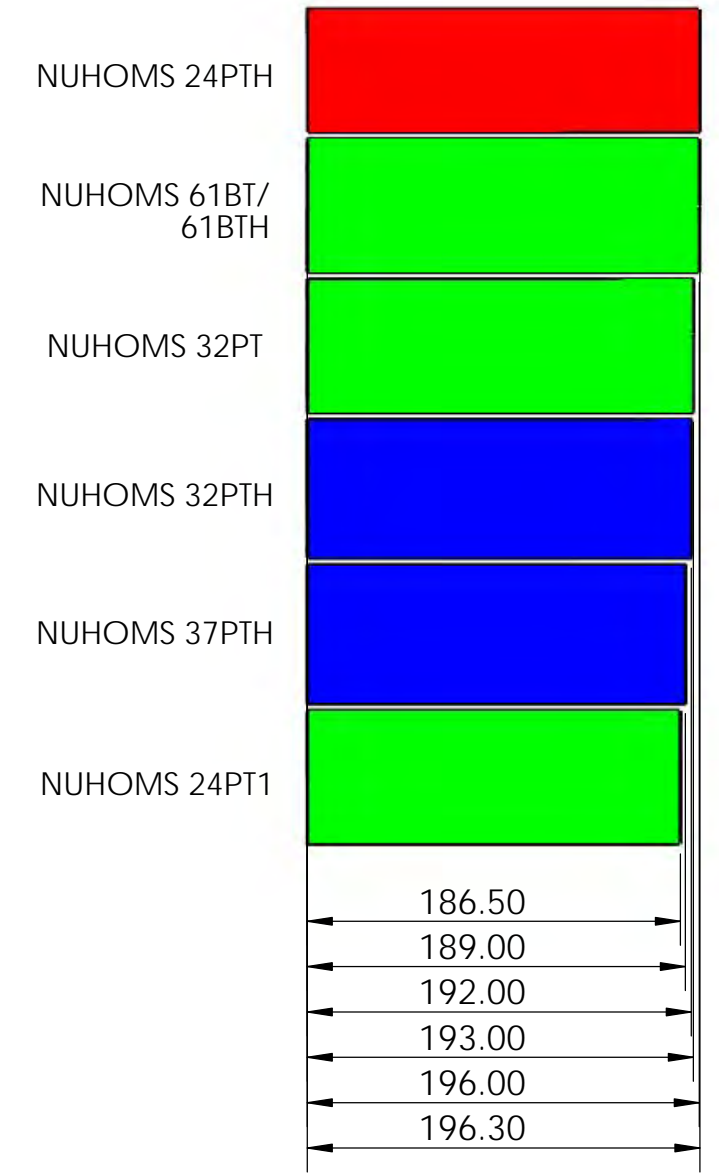


SECTION A-A



TOP VIEW
SCALE 1/18

- 69.75" DIAMETER
NUHOMS 32PTH
37PTH
 - 67.00-67.20" DIAMETER
NUHOMS 24PT1/PT4
61BT/BTH
32PT
 - 62.20" DIAMETER
NUHOMS 24PTH
- 81.00" CASK INNER DIAMETER

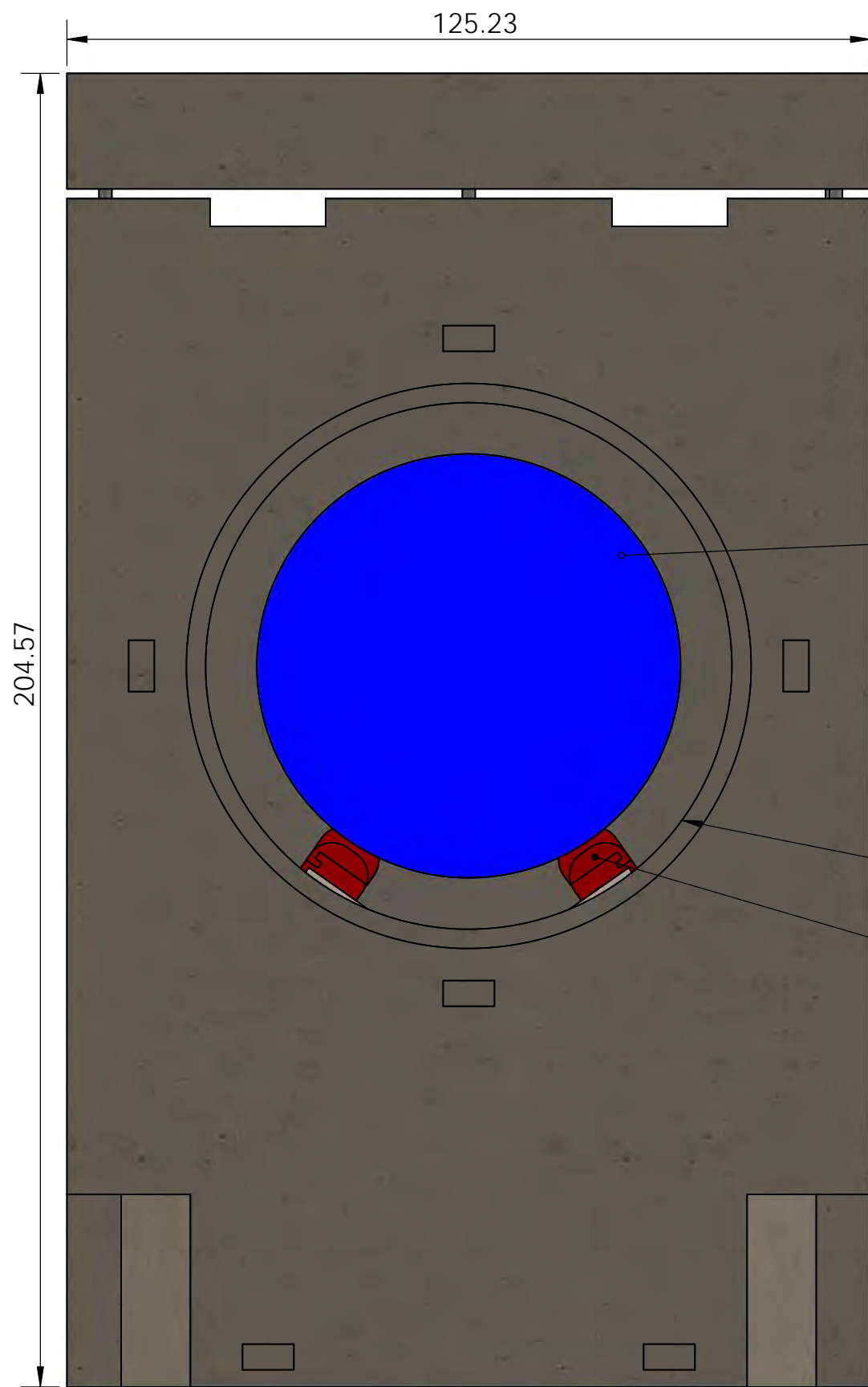


U.S. Department of Energy
Task Order #16
Development of Consolidated
Storage Facility Design Concepts

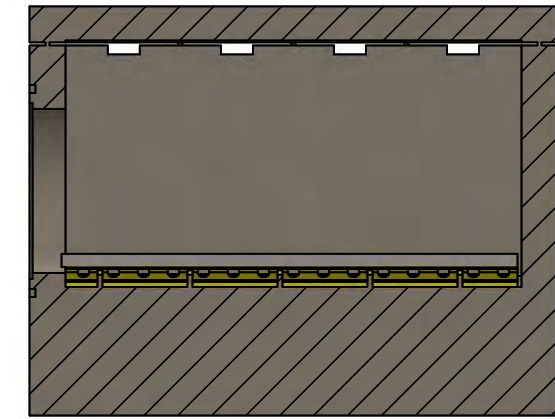
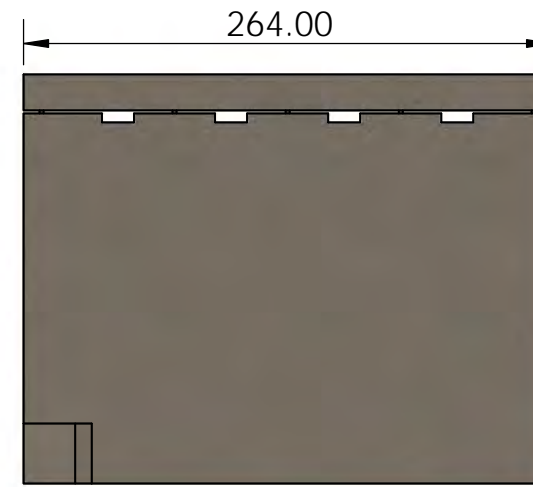
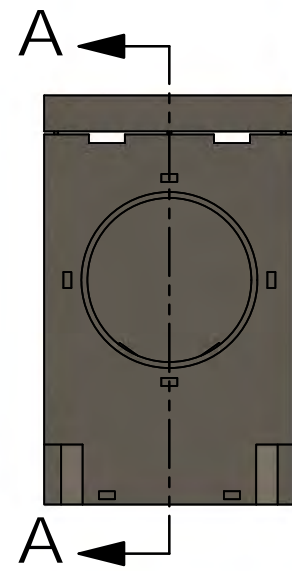
NUHOMS VERTICAL STANDARD OVERPACK

ISF CONTAINERS

TO16-S1-CSTD-CON-12



FRONT ELEVATION
SCALE 1:24



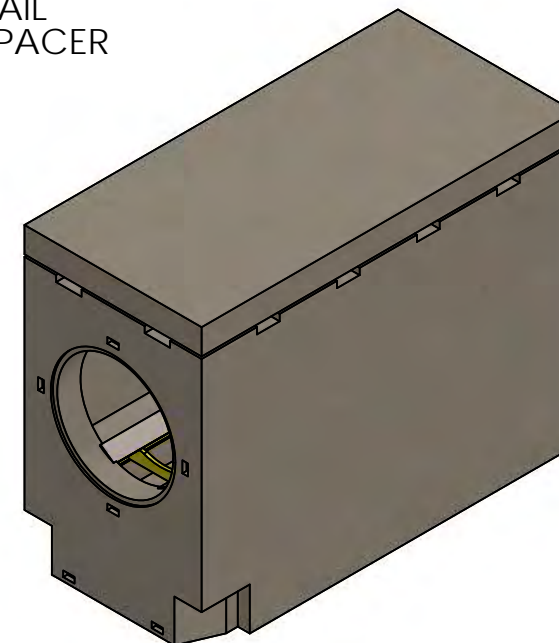
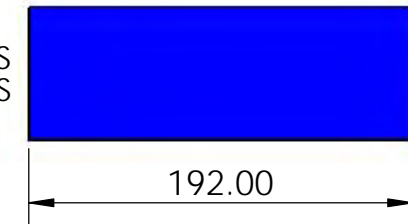
SECTION A-A

66.00" DIAMETER
ENERGY SOLUTIONS SFMS

81.00" MAXIMUM
CASK DIAMETER

ADJUSTABLE
RAIL
SPACER

ENERGY SOLUTIONS
SMFS

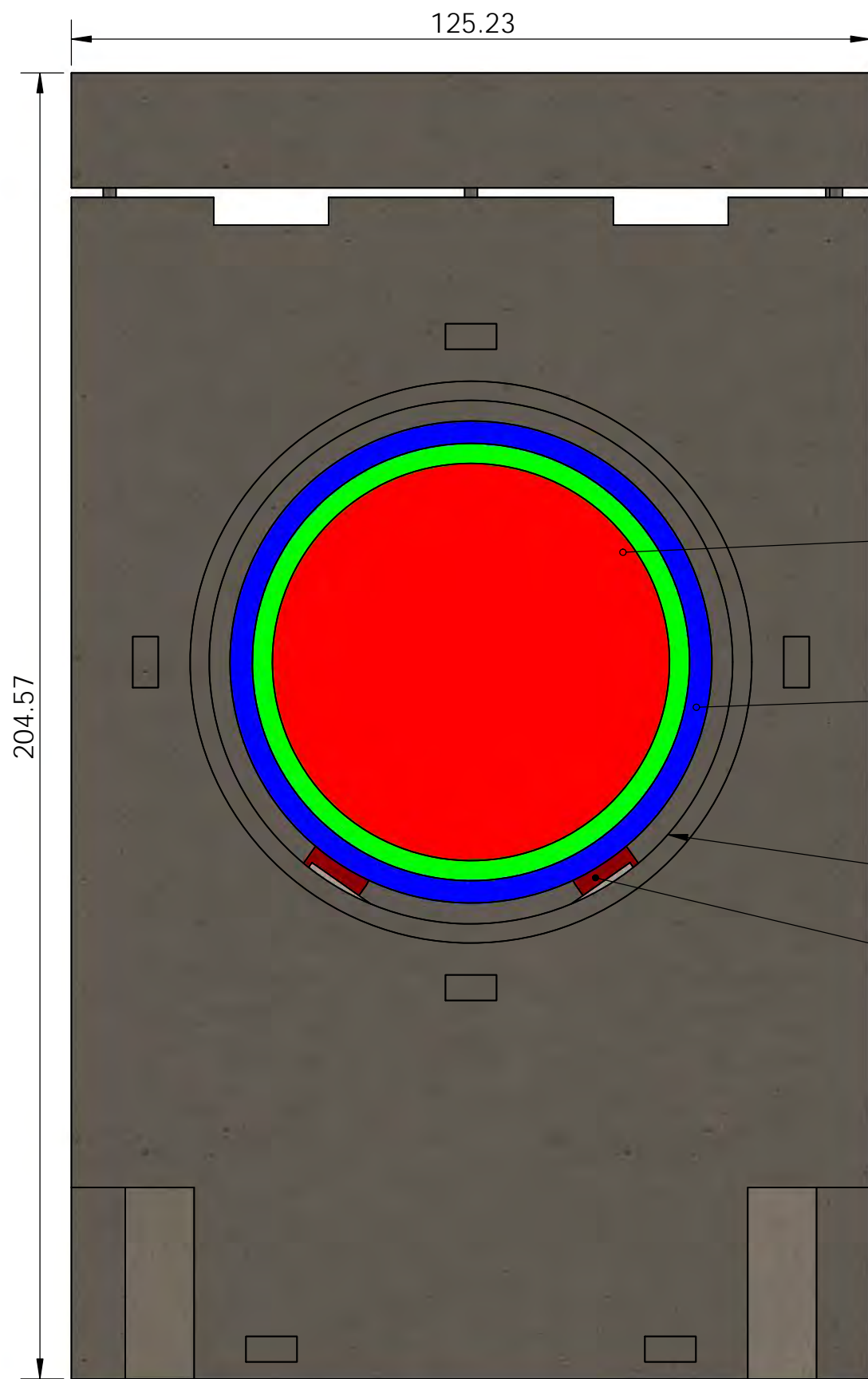


U.S. Department of Energy
Task Order #16
Development of Consolidated
Storage Facility Design Concepts

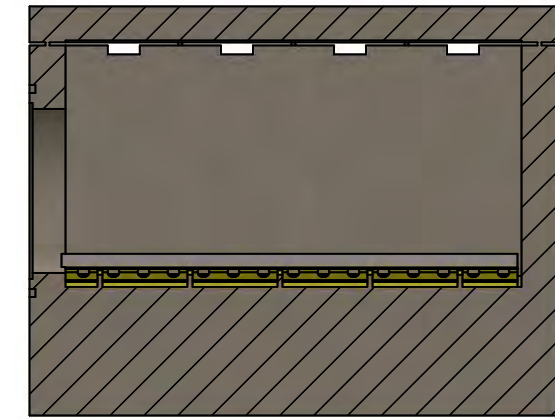
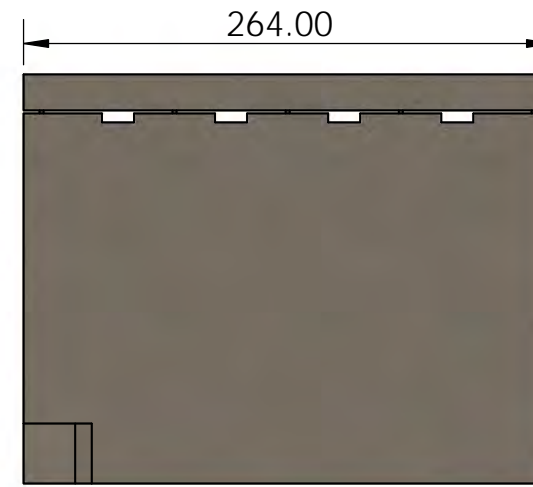
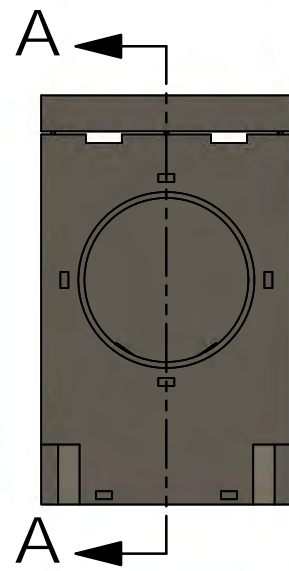
ENERGY SOLUTIONS HORIZONTAL STANDARD OVERPACK

ISF CONTAINERS

TO16-S1-CSTD-CON-13



FRONT ELEVATION
SCALE 1:24



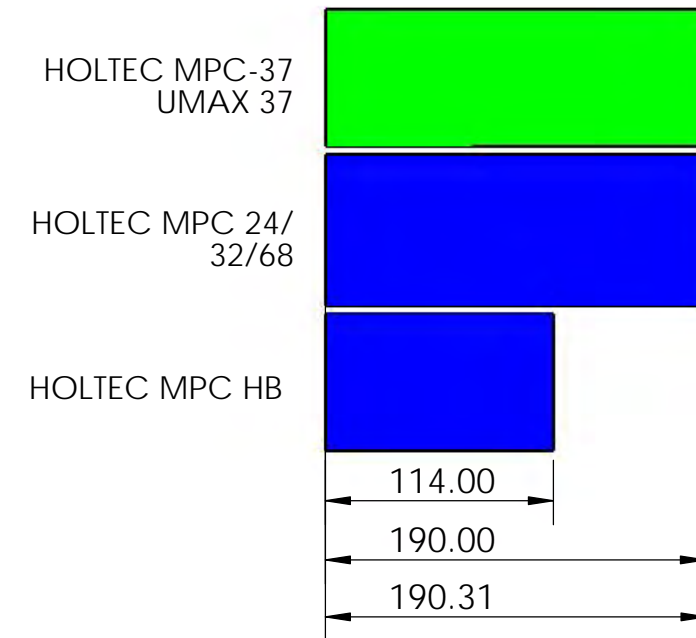
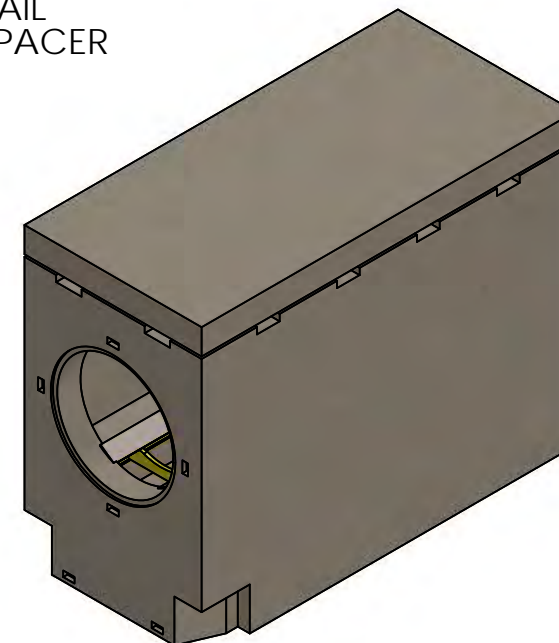
SECTION A-A

● 68.50" DIAMETER
HOLTEC MPC 24/32/68
HOLTEC MPC HB

● 75.50" DIAMETER
HOLTEC MPC 37
HOLTEC UMAX 37

81.00" MAXIMUM
CASK DIAMETER

ADJUSTABLE
RAIL
SPACER

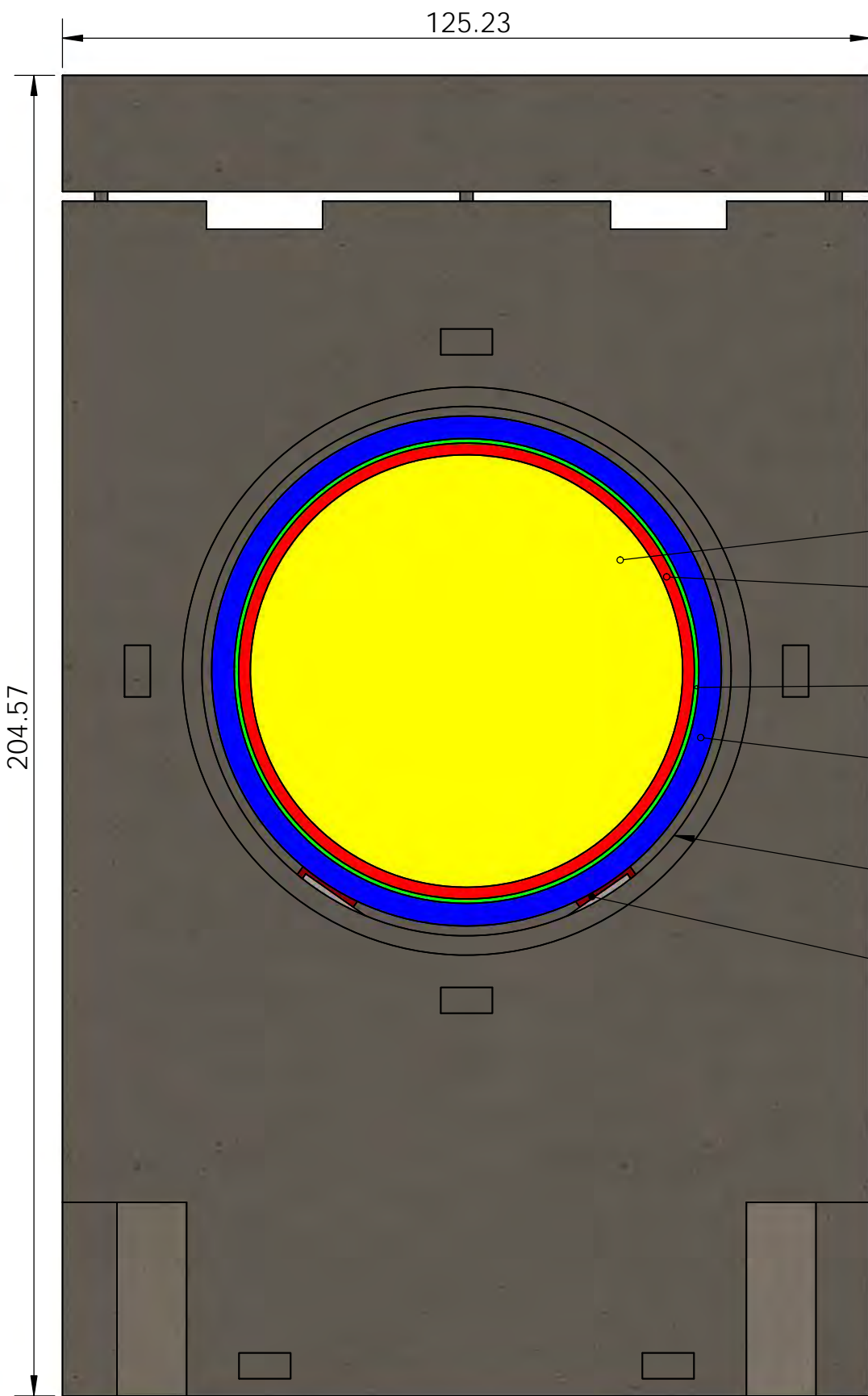


U.S. Department of Energy
Task Order #16
Development of Consolidated
Storage Facility Design Concepts

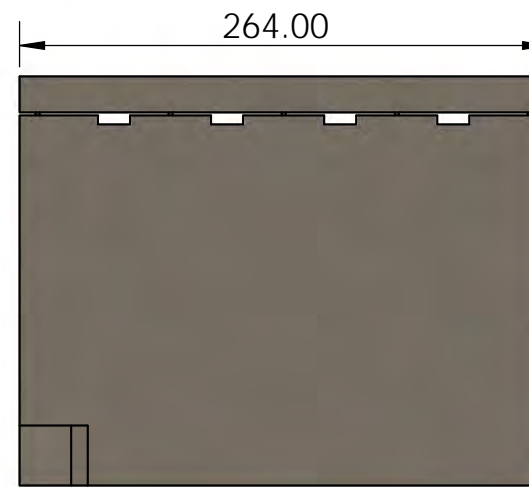
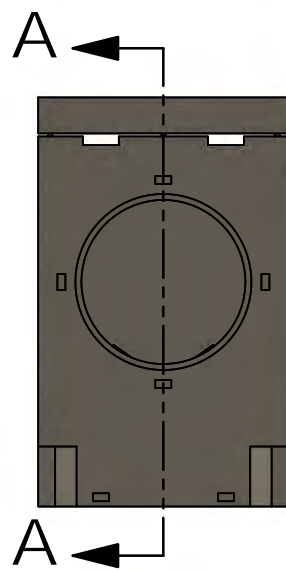
HOLTEC HORIZONTAL STANDARD OVERPACK

ISF CONTAINERS

TO16-S1-CSTD-CON-14

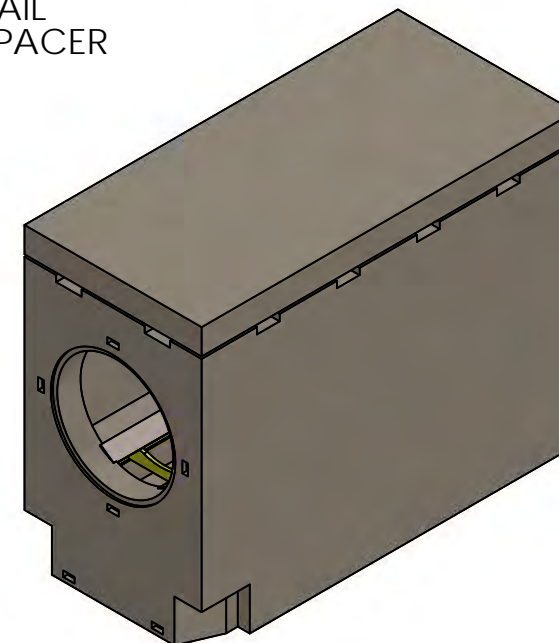
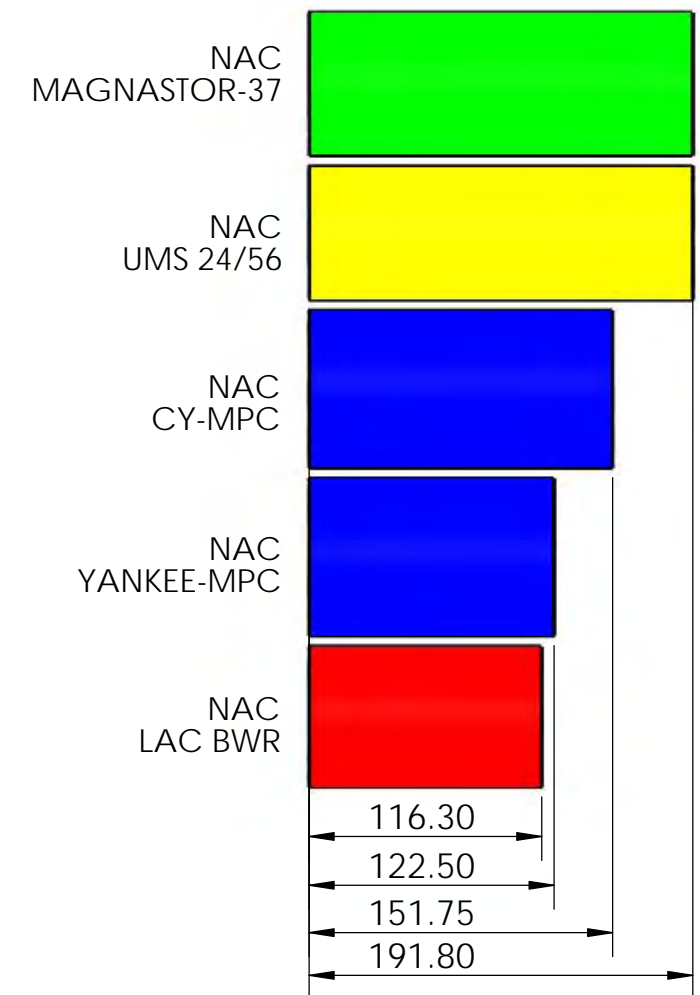


FRONT ELEVATION
SCALE 1:24



SECTION A-A

- 67.00" NAC-UMS-24/56
- 70.64" DIAMETER NAC-LACBWR
- 72.00" DIAMETER NAC- MAGNASTOR-37
- 79.00" DIAMETER NAC-CY-MPC
NAC-YANKEE-MPC
- 81.00" MAXIMUM CASK DIAMETER
- ADJUSTABLE RAIL SPACER

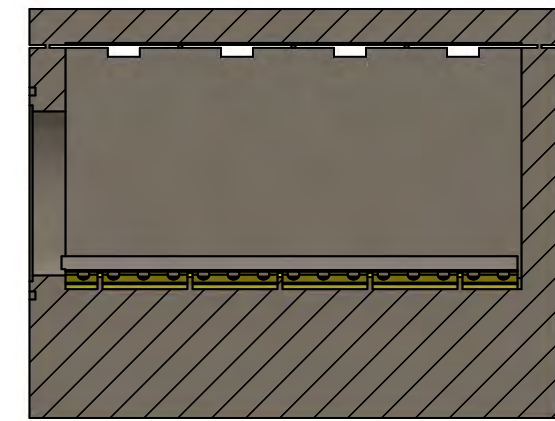
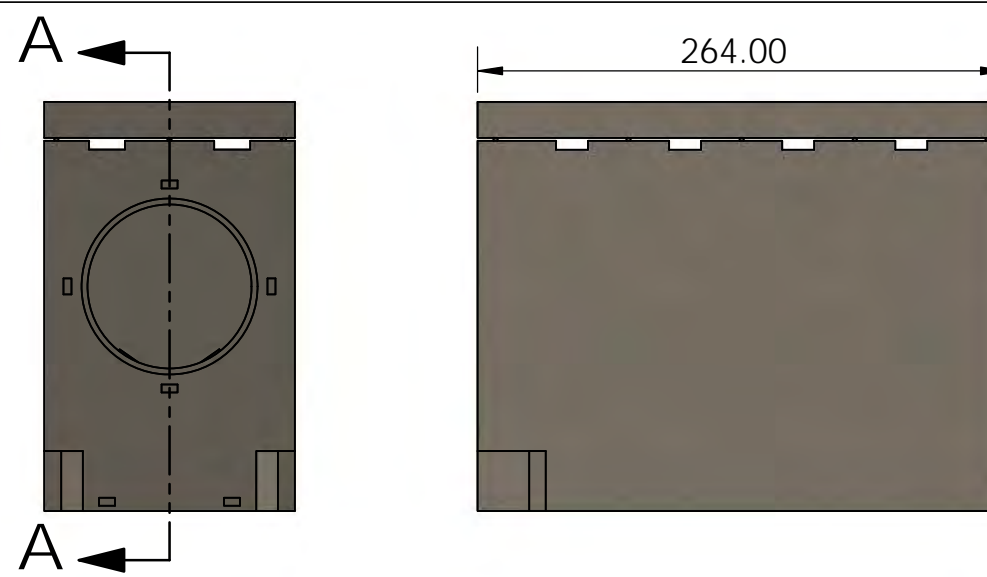
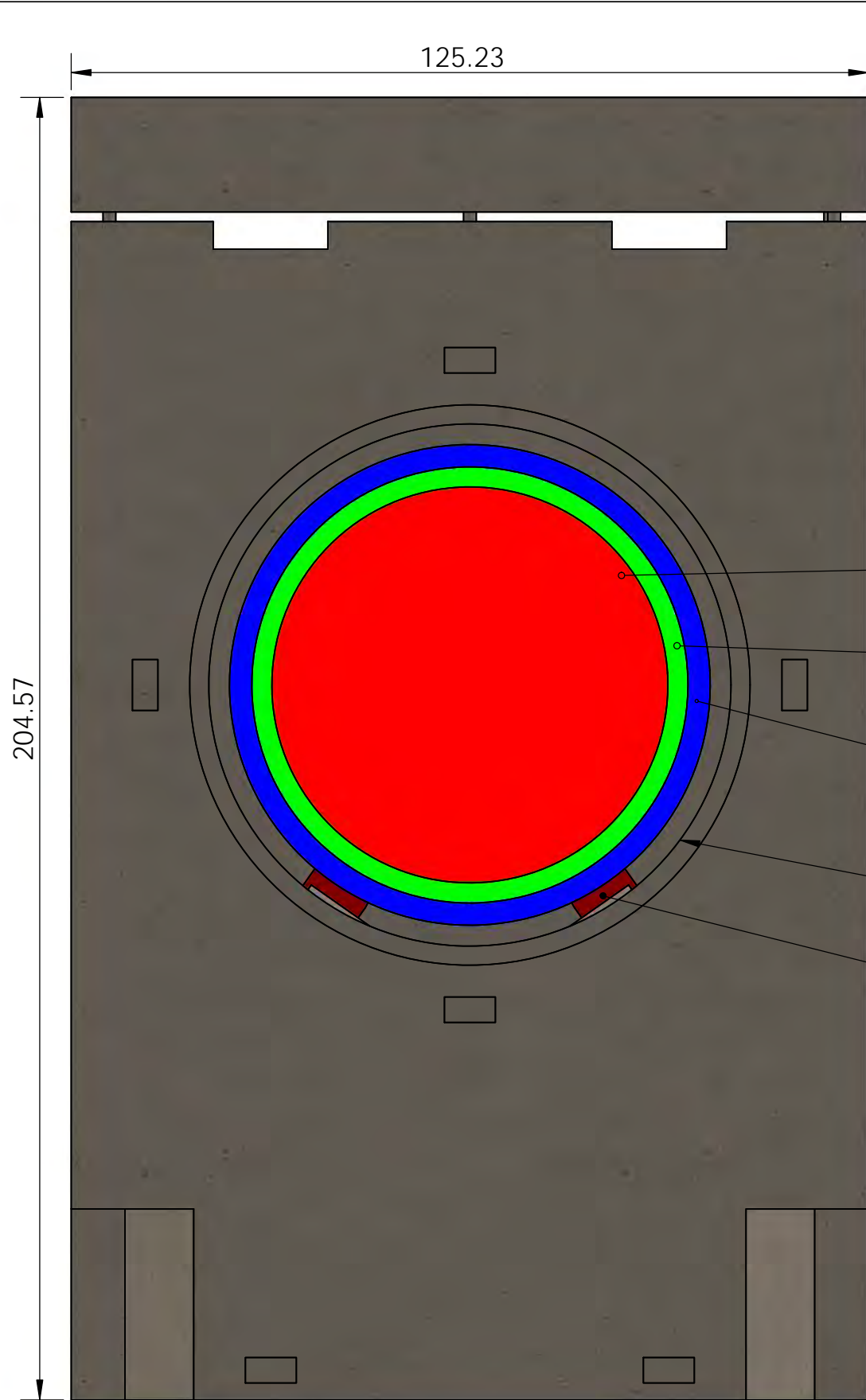


U.S. Department of Energy
Task Order #16
Development of Consolidated
Storage Facility Design Concepts

NAC HORIZONTAL STANDARD OVERPACK

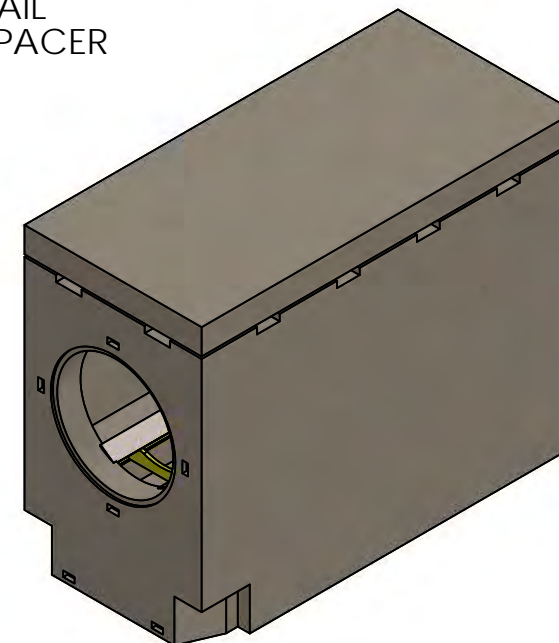
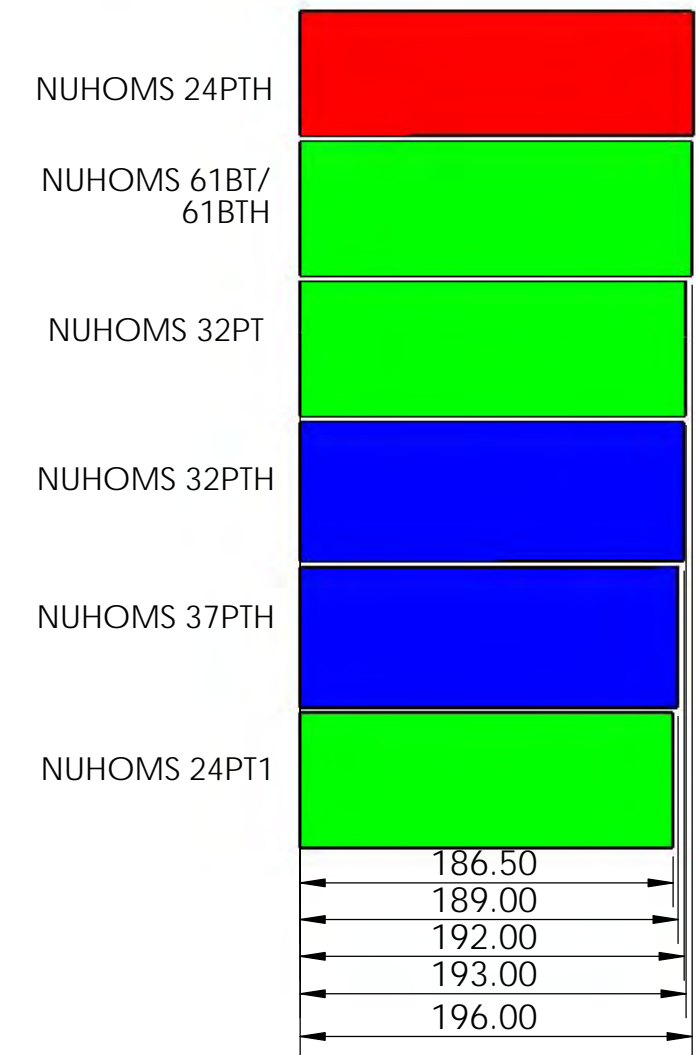
ISF CONTAINERS

TO16-S1-CSTD-CON-15



SECTION A-A

- 62.20" DIAMETER NUHOMS 24PTH
- 67.00-67.20" DIAMETER NUHOMS 24PT1/PT4 61BT/BTH 32PT
- 69.75" DIAMETER NUHOMS 32PTH 37PTH
- 81.00" MAXIMUM CASK DIAMETER
- ADJUSTABLE RAIL SPACER



FRONT ELEVATION
SCALE 1:24



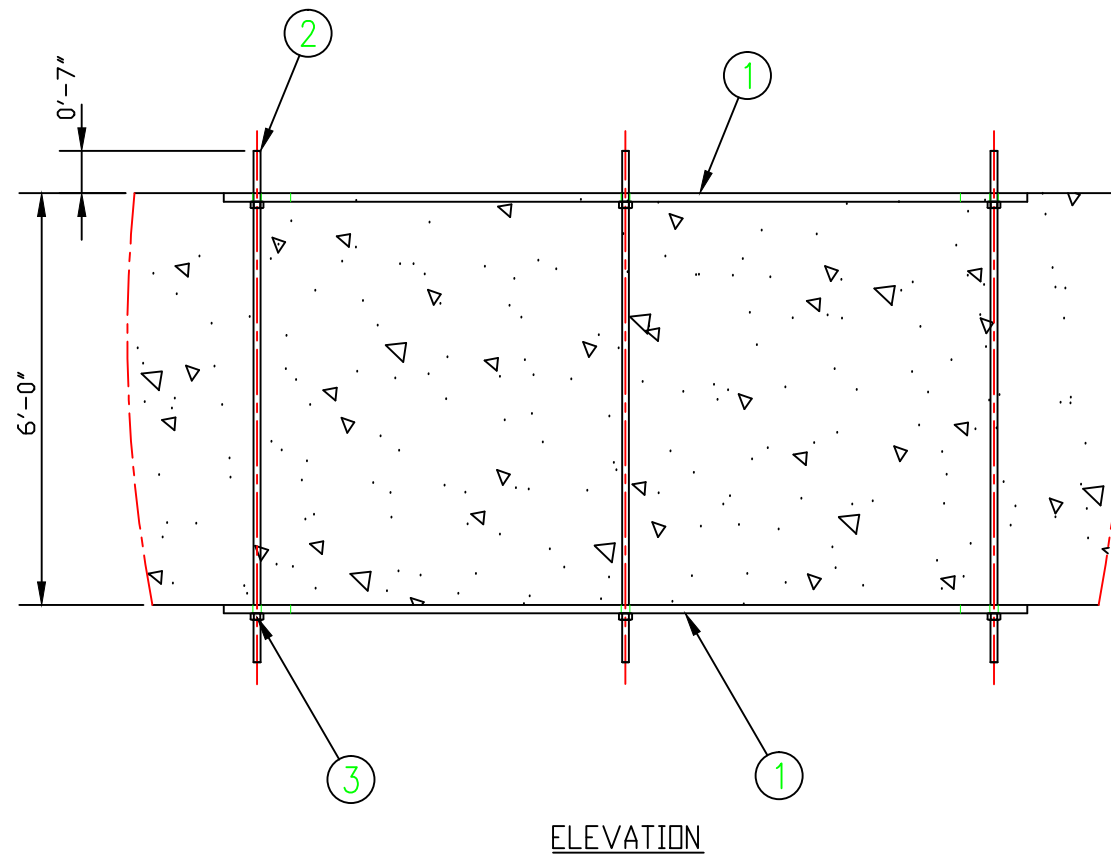
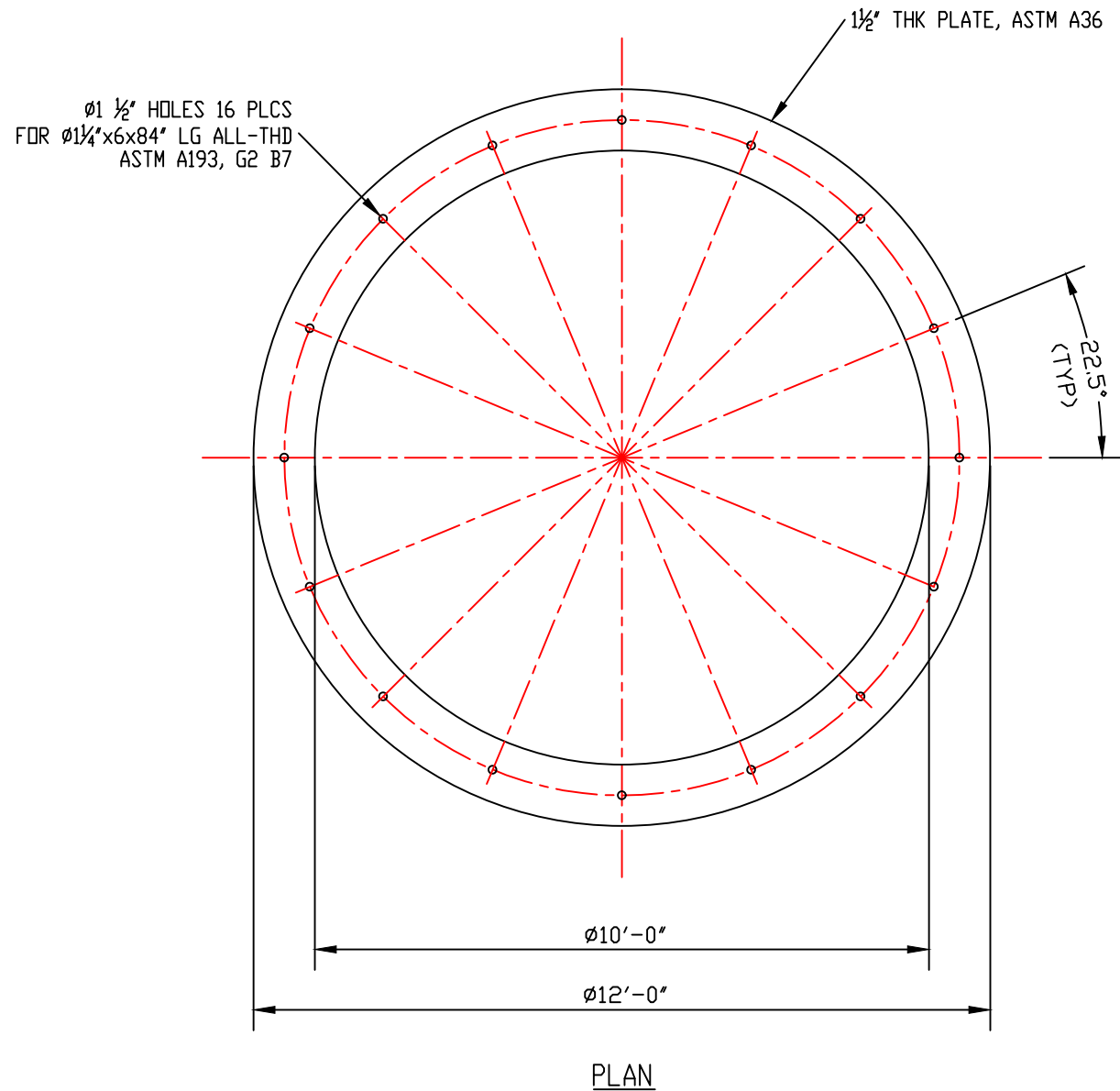
U.S. Department of Energy
Task Order #16
Development of Consolidated
Storage Facility Design Concepts

NUHOMS HORIZONTAL STANDARD OVERPACK

ISF CONTAINERS

TO16-S1-CSTD-CON-16

BILL OF MATERIAL				
ITEM	QTY	DESCRIPTION	MATERIAL/MANUFACTURE	REMARKS
1	2	SUPPORT RING	PLATE $\phi 12' \times 1\frac{1}{2}"$ THK ASTM A36	
2	16	TIE ROD	$\phi 1\frac{1}{4}" - 6 \times 84"$ LG ALL THD ROD ASTM A193 GR B7	
3	32	HEX NUT	$\phi 1\frac{1}{4}" - 6$ HEX NUT ASTM A194 GR B7	

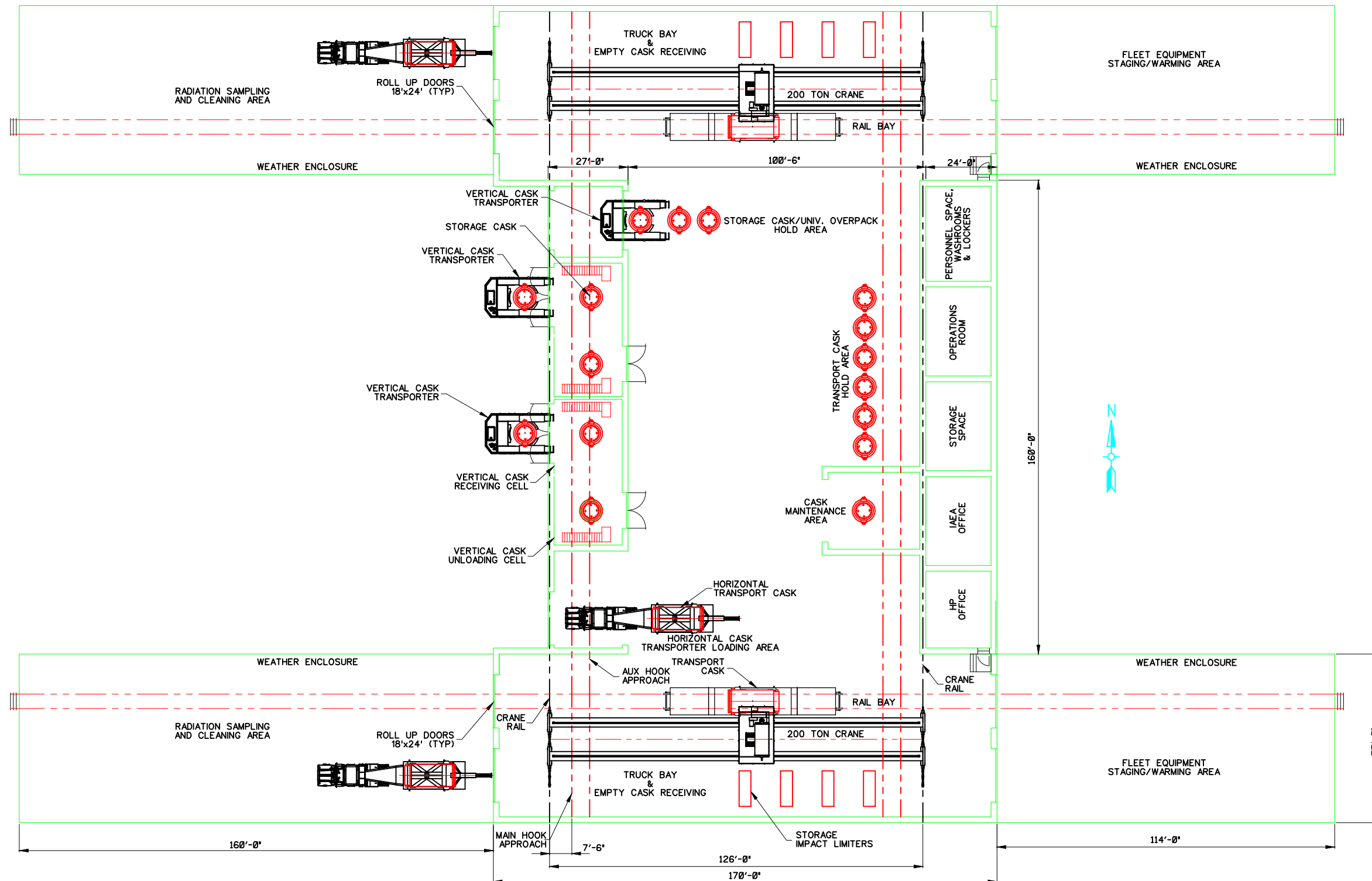


U.S. Department of Energy
Task Order #16
Development of Consolidated
Storage Facility Design Concepts

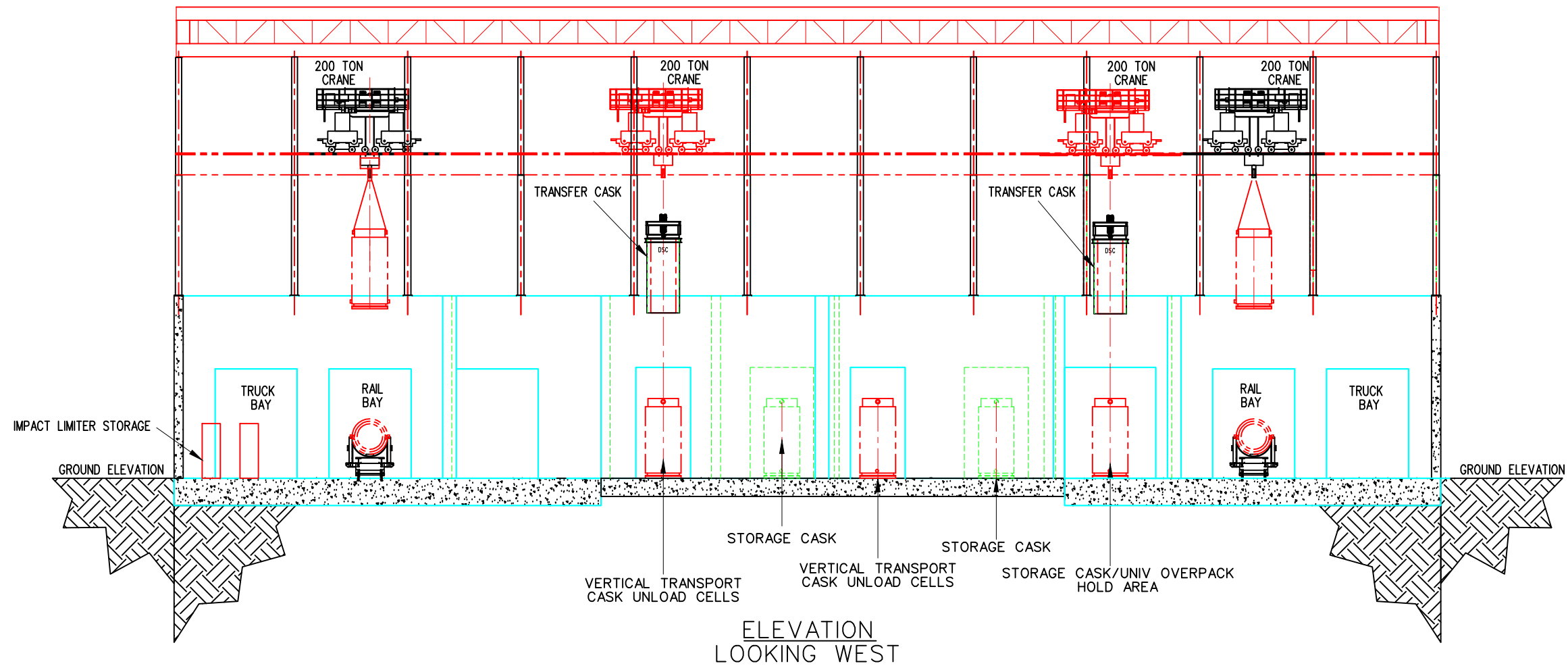
VERTICAL STORAGE CASK PAD SEISMIC RESTRAINTS

ISF CONTAINERS

TO16-S1-CPAD-DET-17



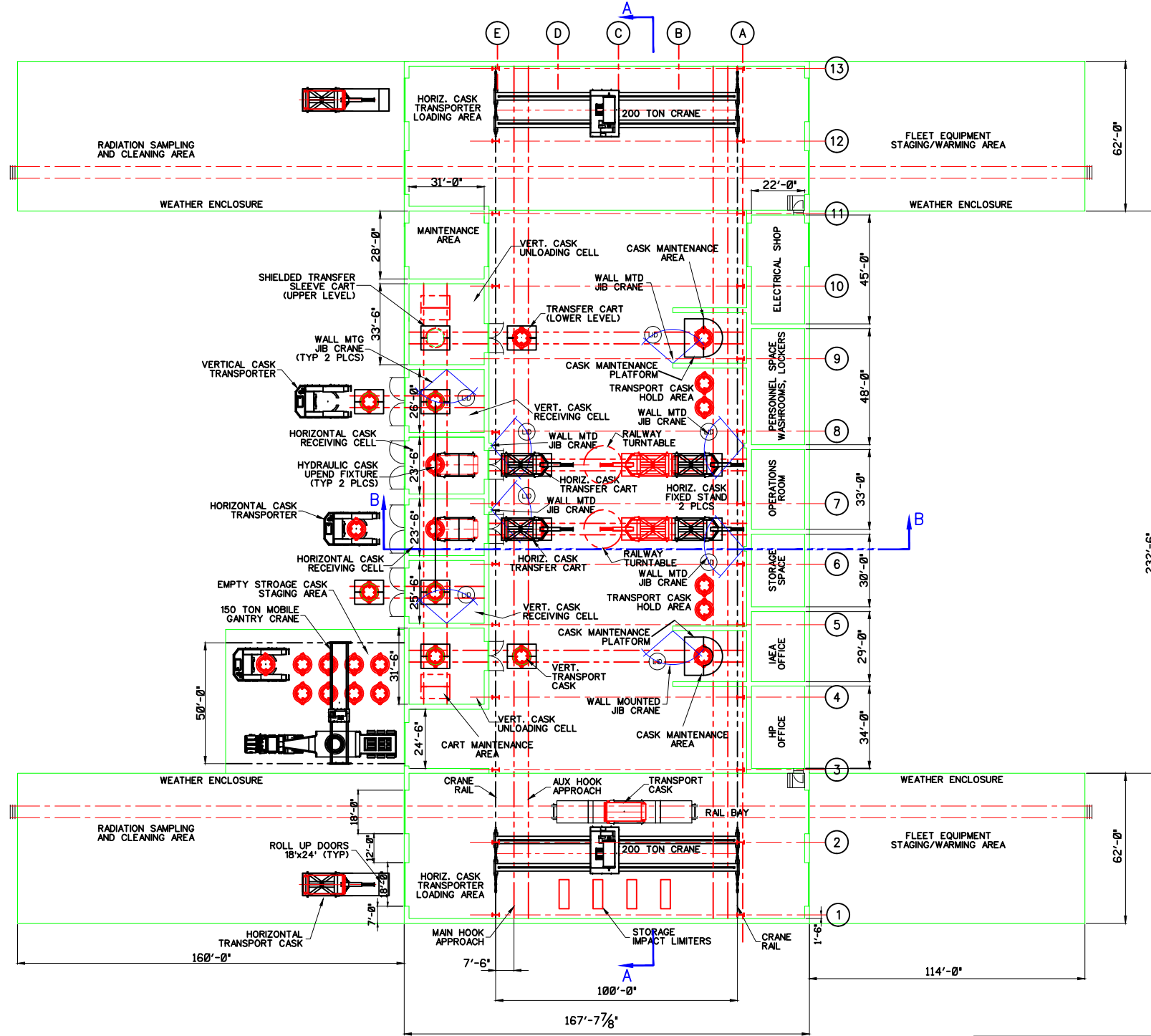
U.S. Department of Energy
 Task Order #16
 Development of Consolidated
 Storage Facility Design Concepts



U.S. Department of Energy
Task Order #16
Development of Consolidated
Storage Facility Design Concepts

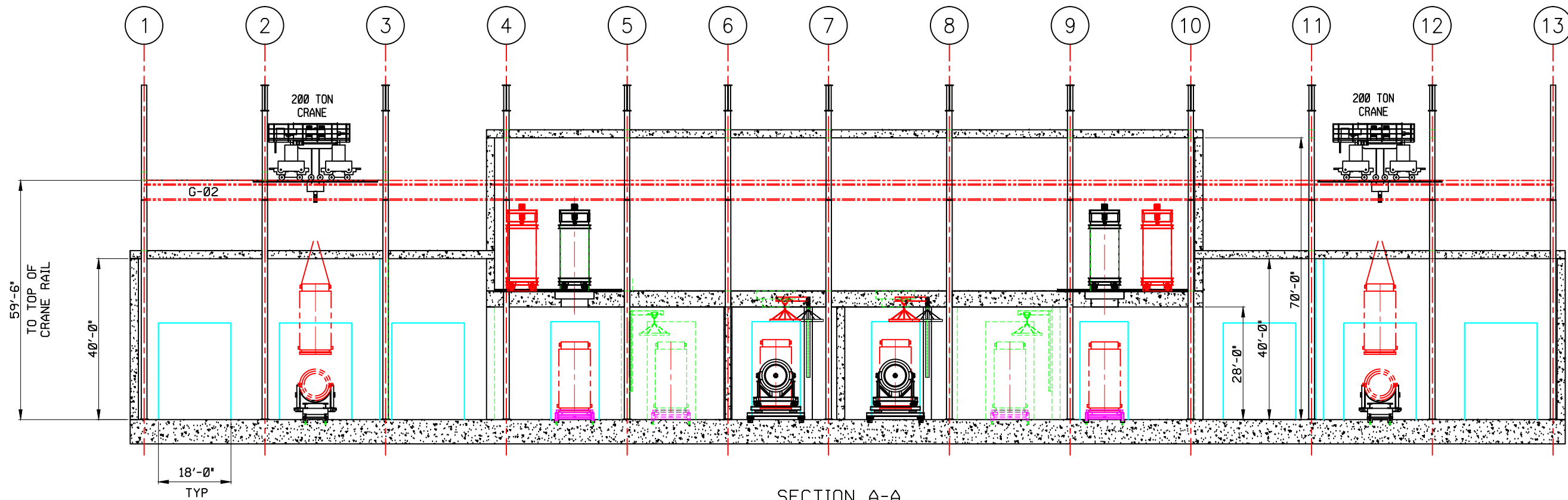
CASK HANDLING BUILDING-ELEV-CONVENTIONAL

STUDY #2-ALTERNATIVE CASK HANDLING METHODS | T016-S2-COPS-CHB-2

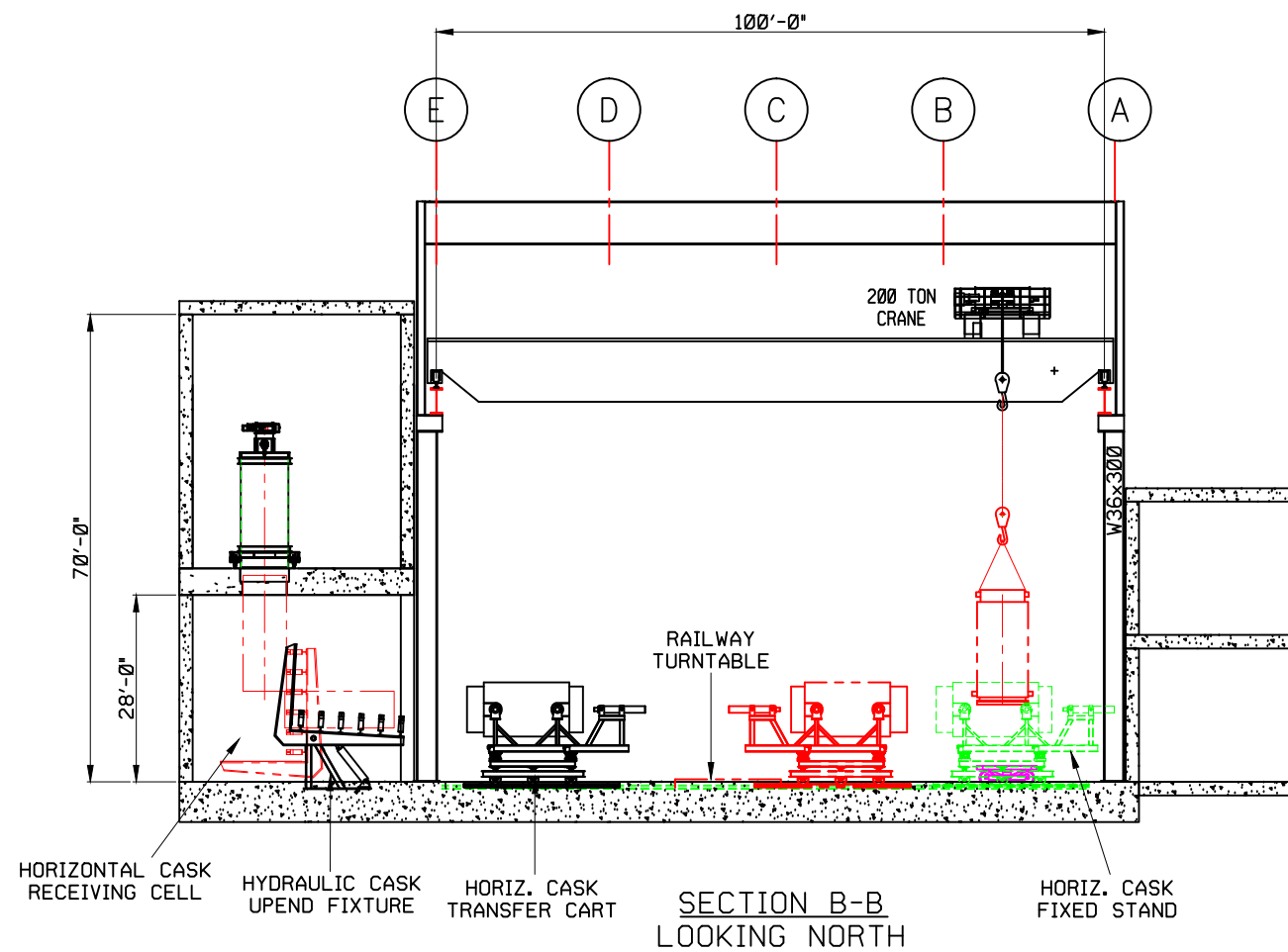


U.S. Department of Energy
 Task Order #16
 Development of Consolidated
 Storage Facility Design Concepts

CASK HANDLING BUILDING PLAN-AUTOMATED
 STUDY #2-ALTERNATIVE CASK HANDLING METHODS | T016-S2-AOPS-CHB-3



SECTION A-A
LOOKING WEST



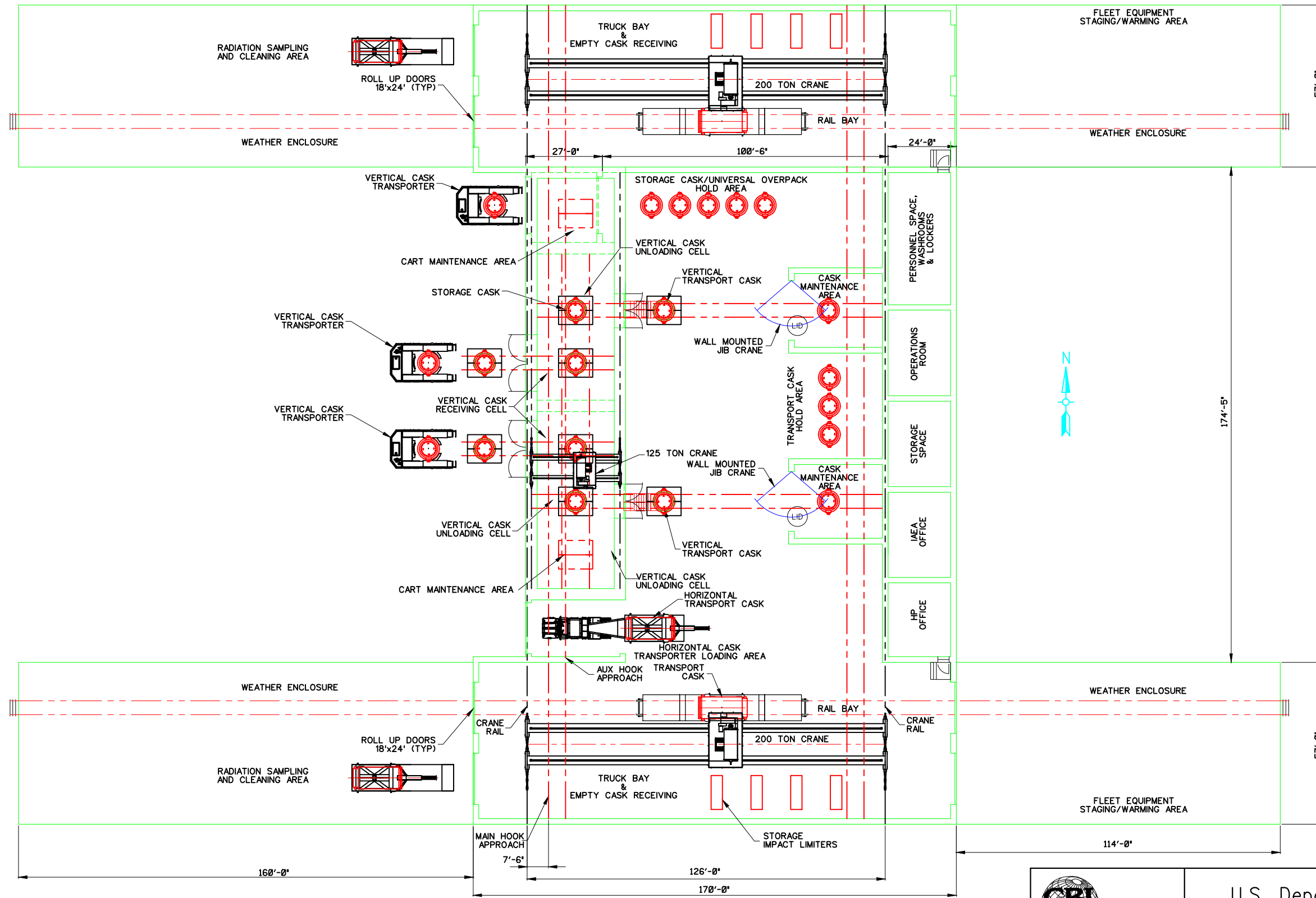
SECTION B-B
LOOKING NORTH



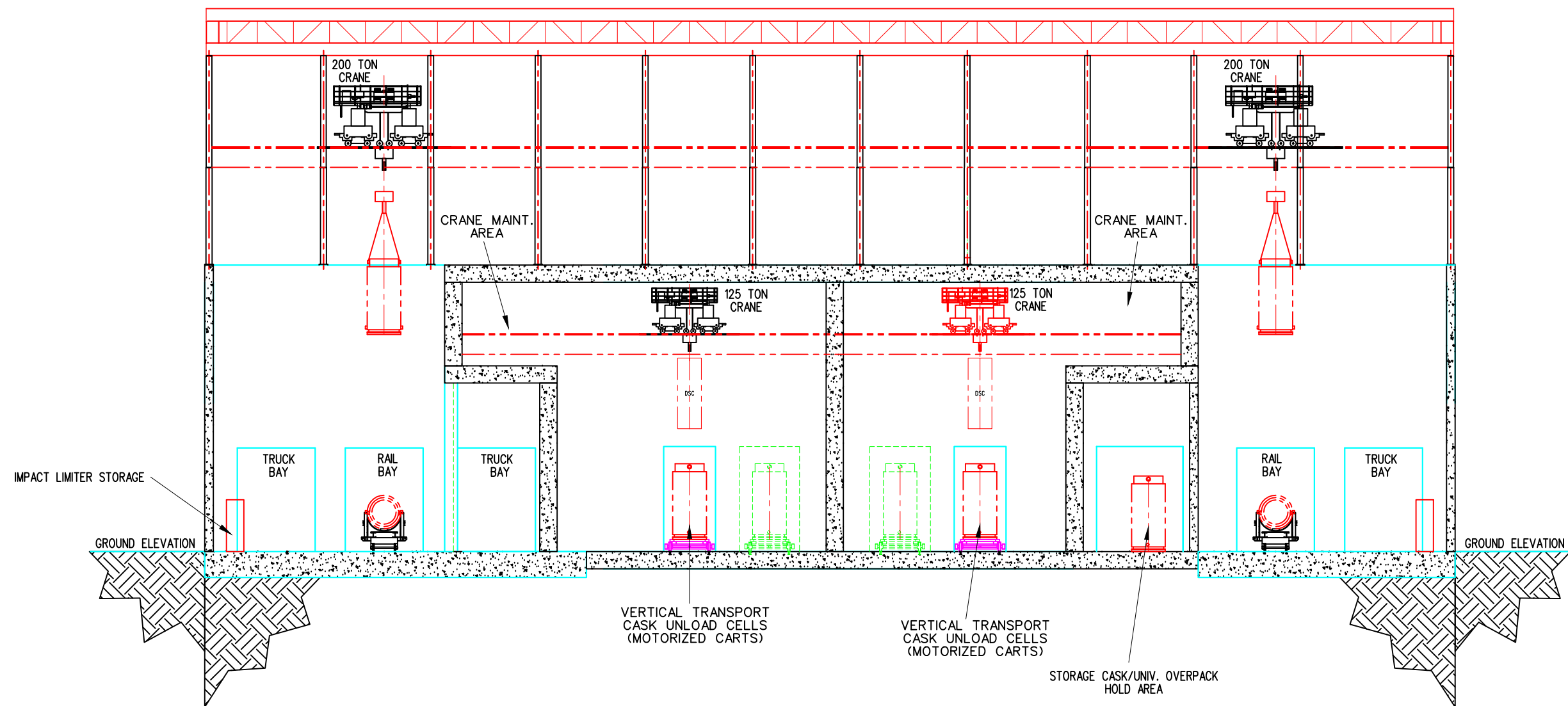
U.S. Department of Energy
Task Order #16
Development of Consolidated
Storage Facility Design Concepts

CASK HANDLING BUILDING-ELEV-CONVENTIONAL

STUDY #2-ALTERNATIVE CASK HANDLING METHODS | T016-S2-AOPS-CHB-4



U.S. Department of Energy
 Task Order #16
 Development of Consolidated
 Storage Facility Design Concepts



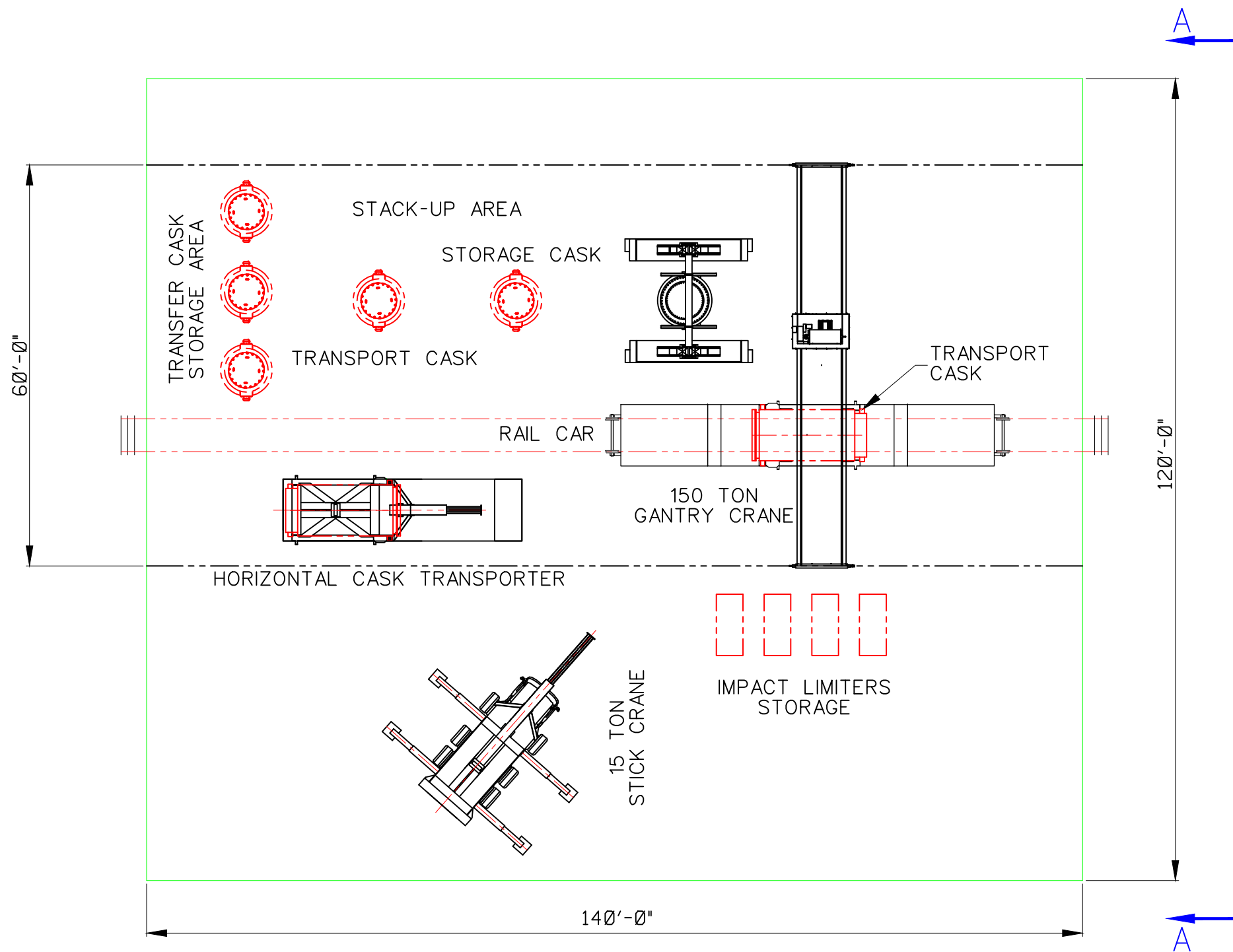
ELEVATION
LOOKING WEST



U.S. Department of Energy
Task Order #16
Development of Consolidated
Storage Facility Design Concepts

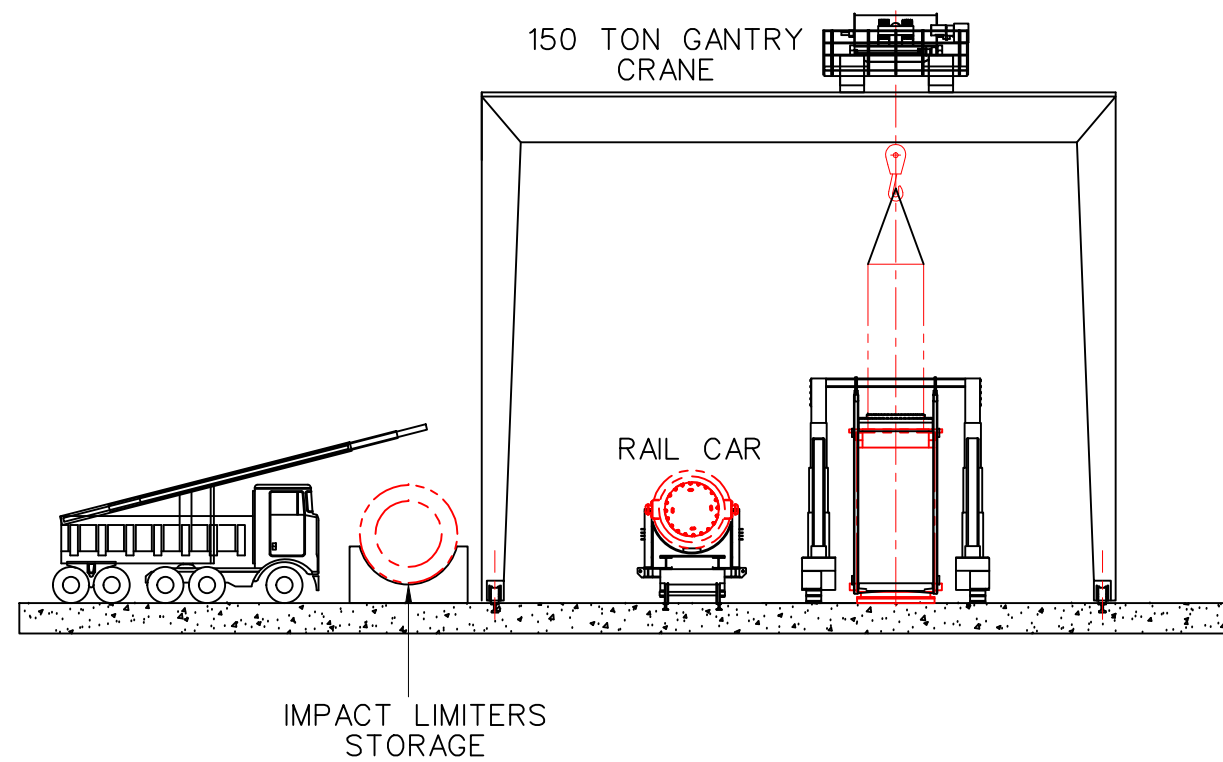
CASK HANDLING BUILDING ELEV REMOTE

STUDY #2-ALTERNATIVE CASK HANDLING METHODS | T016-S2-ROPS-CHB-6



U.S. Department of Energy
 Task Order #16
 Development of Consolidated
 Storage Facility Design Concepts

CASK HANDLING PAD-PLAN-BASIC
 STUDY *2-ALTERNATIVE CASK HANDLING METHODS | T016-S2-SOPS-CHB-7



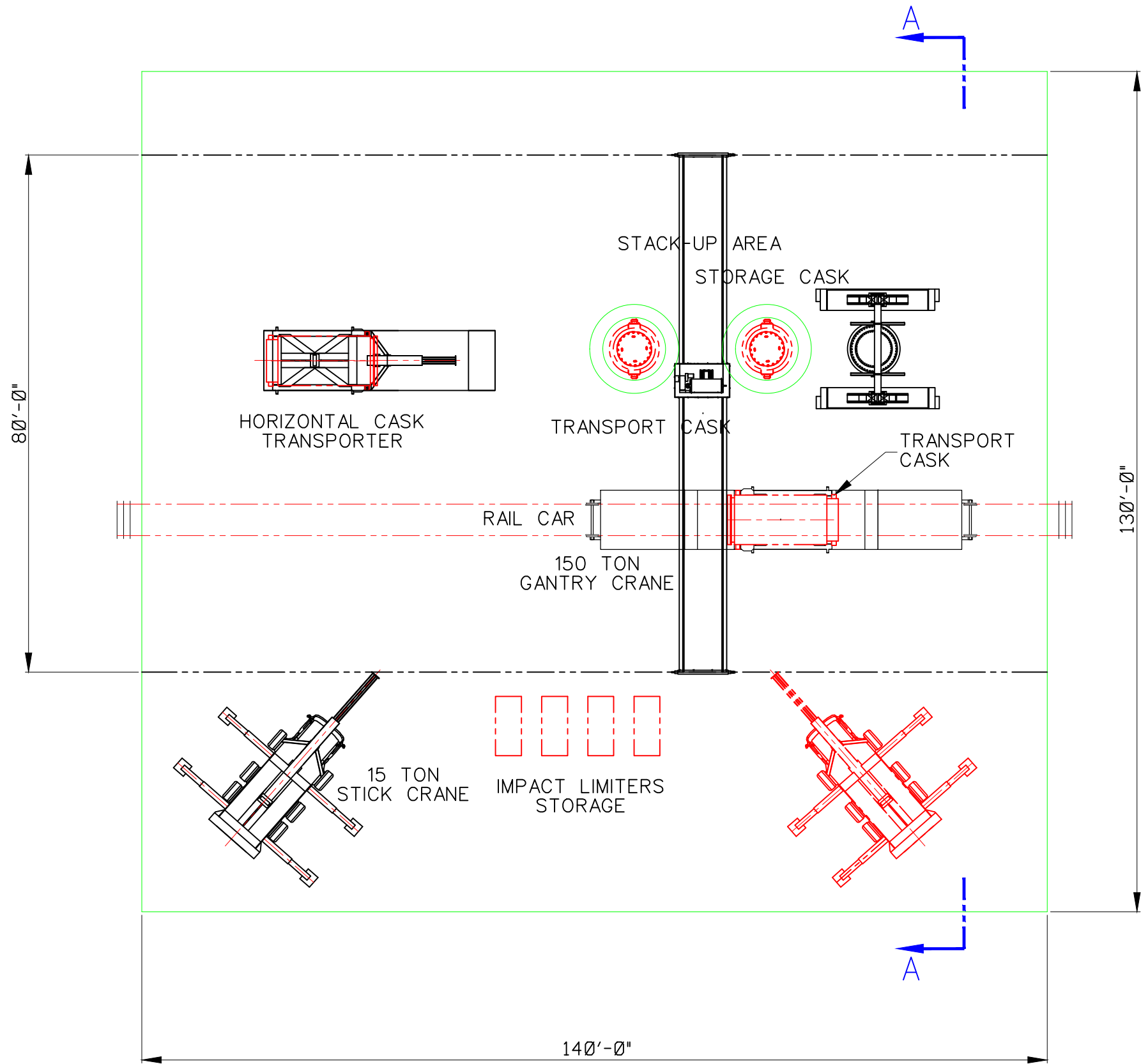
SECTION A-A



U.S. Department of Energy
Task Order #16
Development of Consolidated
Storage Facility Design Concepts

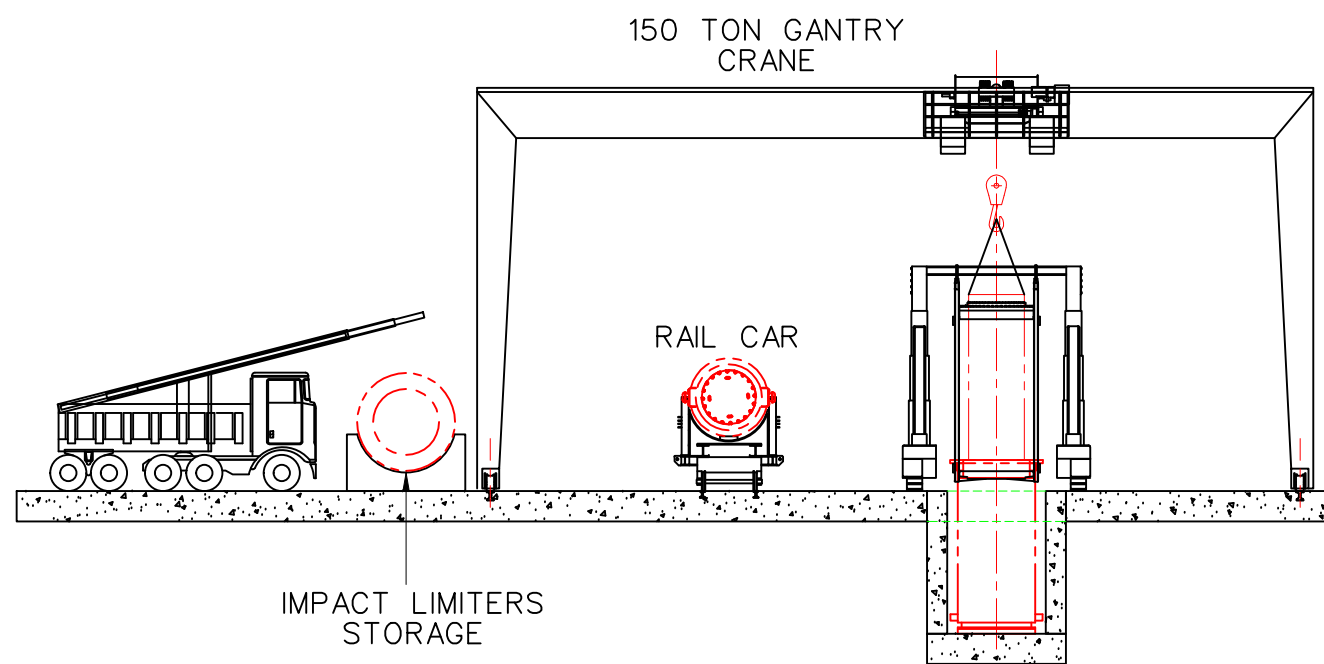
CASK HANDLING PAD-ELEVATION-BASIC

STUDY *2-ALTERNATIVE CASK HANDLING METHODS | T016-S2-SOPS-CHB-8



U.S. Department of Energy
 Task Order #16
 Development of Consolidated
 Storage Facility Design Concepts

CASK HANDLING PIT-PLAN-BASIC



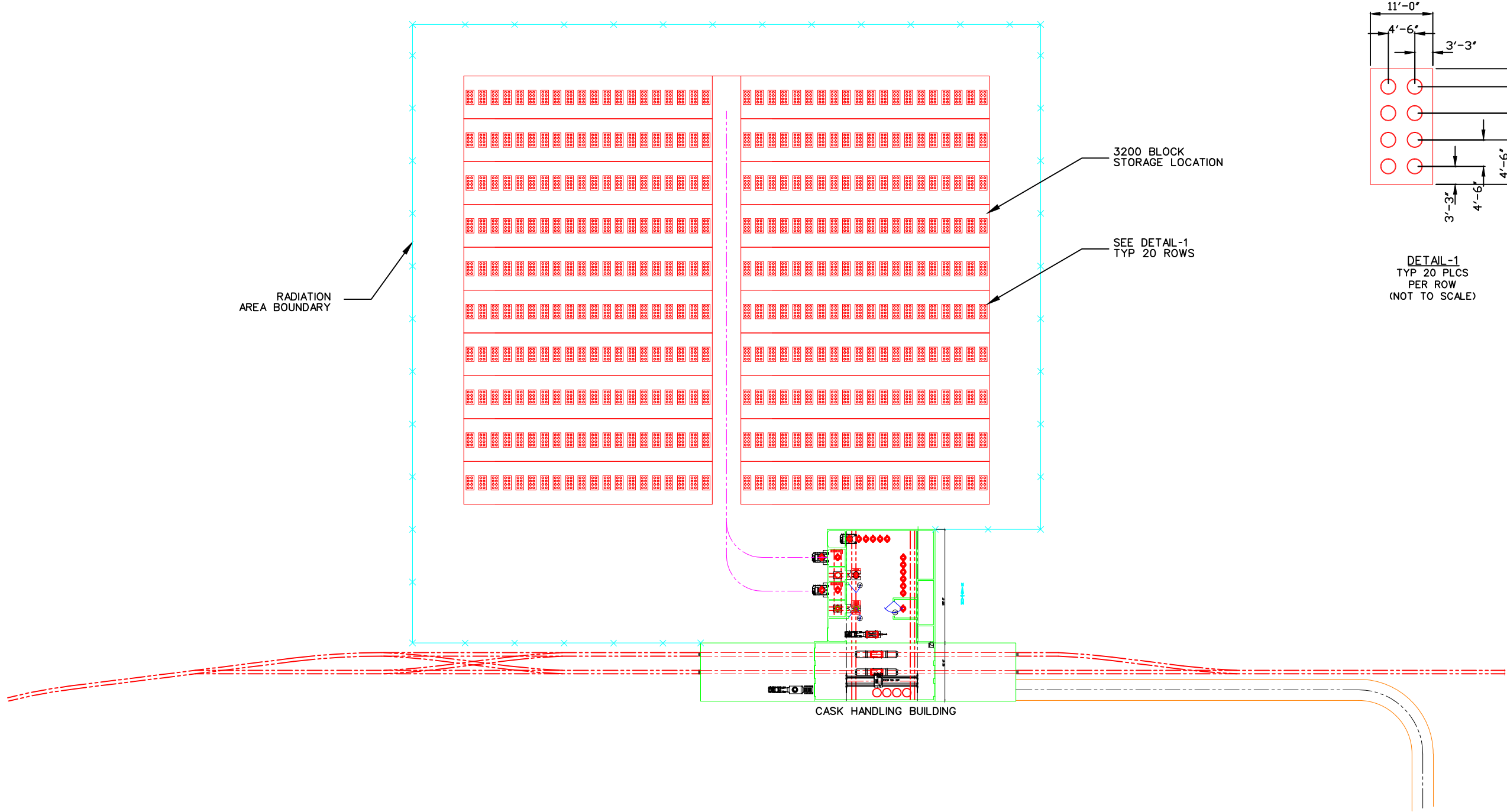
SECTION A-A



U.S. Department of Energy
Task Order #16
Development of Consolidated
Storage Facility Design Concepts

CASK HANDLING PIT-ELEVATION-BASIC

STUDY *2-ALTERNATIVE CASK HANDLING METHODS | T016-S2-SOPS-CHB-10

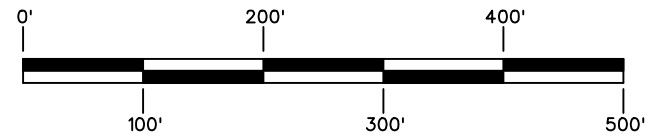
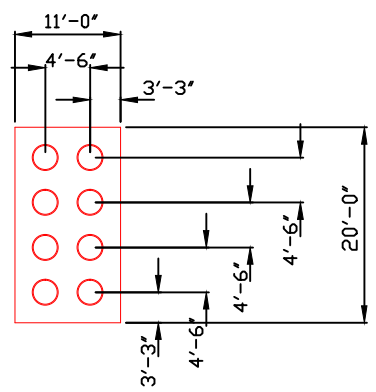


RADIATION
AREA BOUNDARY

3200 BLOCK
STORAGE LOCATION

SEE DETAIL-1
TYP 20 ROWS

CASK HANDLING BUILDING



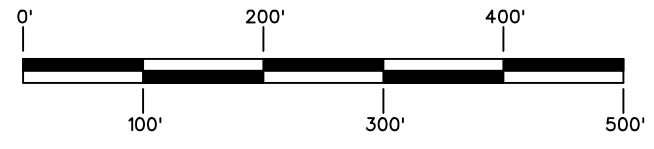
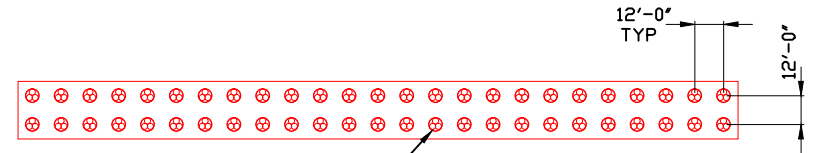
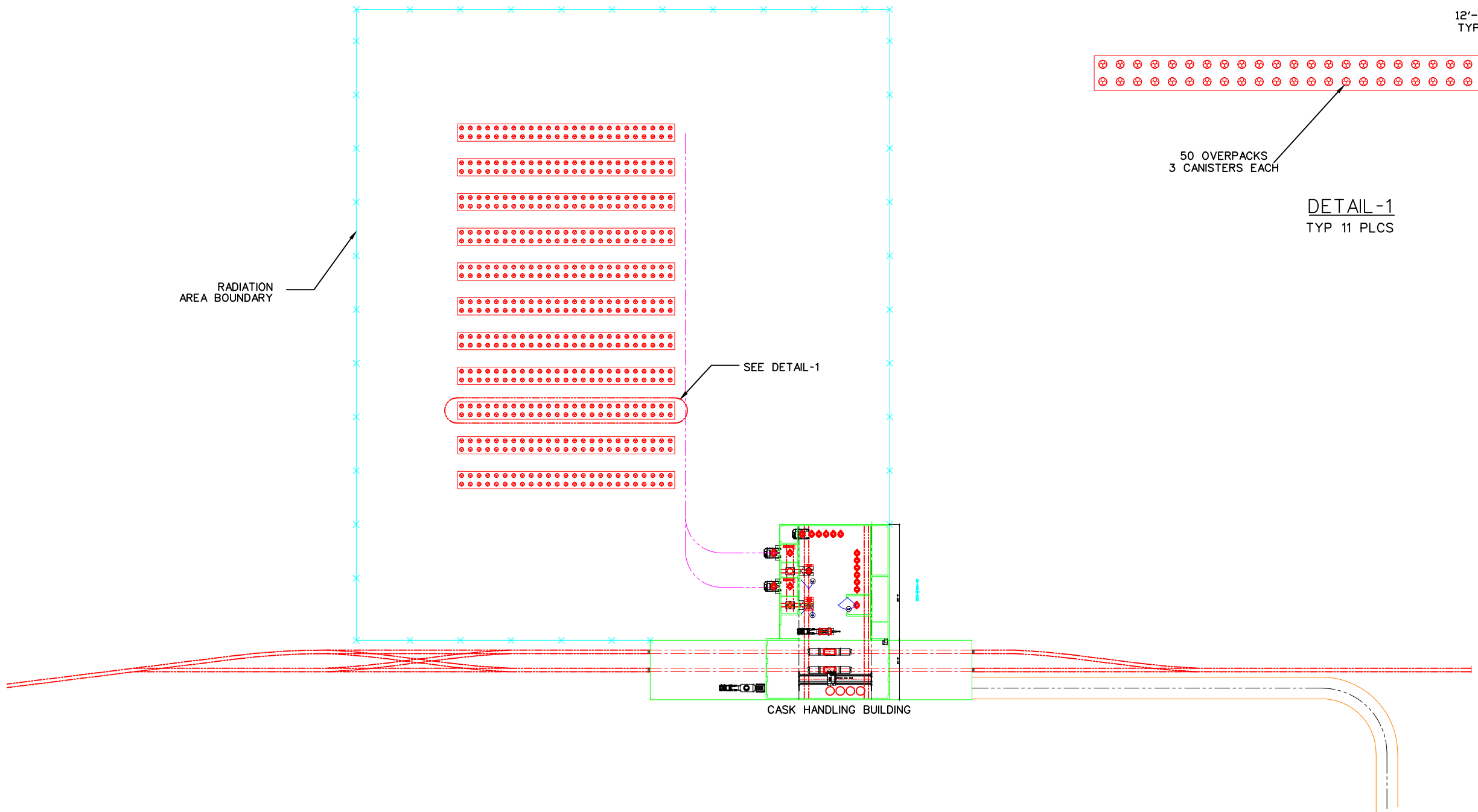
U.S. Department of Energy
Task Order #16
Development of Consolidated
Storage Facility Design Concepts

PARTIAL SITE PLAN-PAD-SMALL STAD STORAGE

5000 MTU PILOT ISF-SPADA

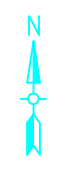
T016-S3-SPAD-SP-1

RADIATION
AREA BOUNDARY

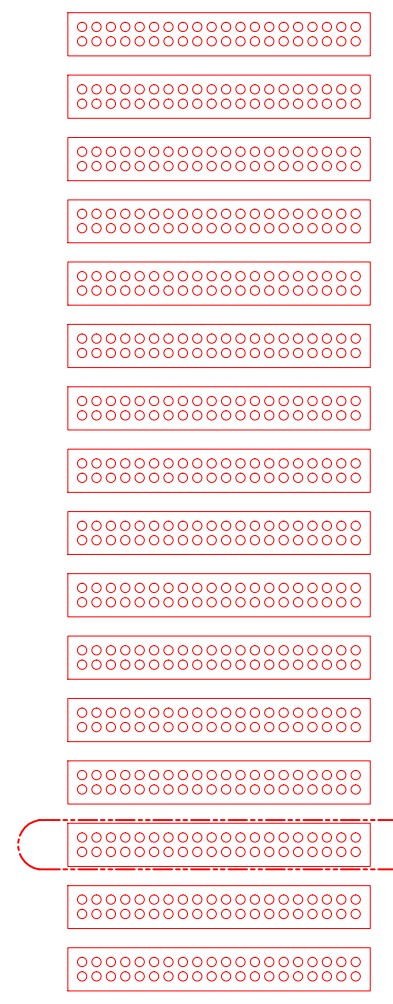


U.S. Department of Energy
Task Order #16
Development of Consolidated
Storage Facility Design Concepts

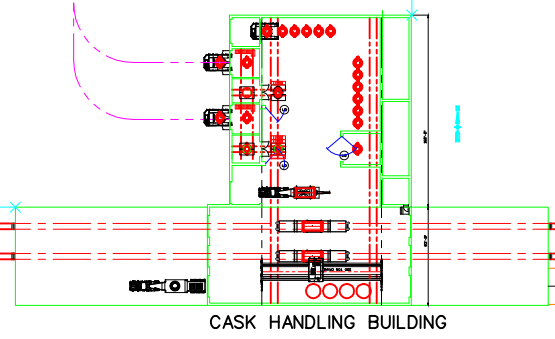
PARTIAL SITE PLAN-PAD-SMALL STAD-MULTI CAN STORAGE
5000 MTU PILOT ISF-SPADA TO16-S3-SPAD-SP-2



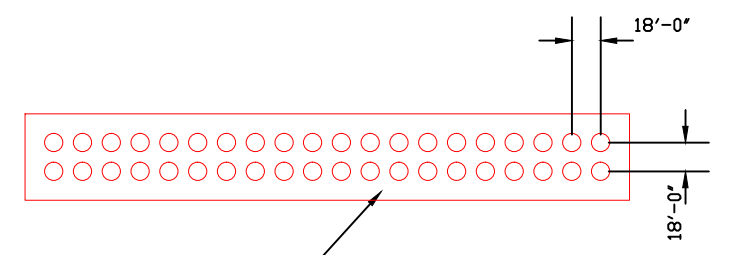
RADIATION
AREA BOUNDARY



SEE DETAIL-1

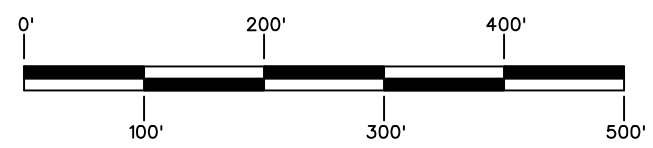


CASK HANDLING BUILDING



2 ROWS OF 20 OVERPACKS

DETAIL-1
TYP 16 PLCS



U.S. Department of Energy
Task Order #16
Development of Consolidated
Storage Facility Design Concepts

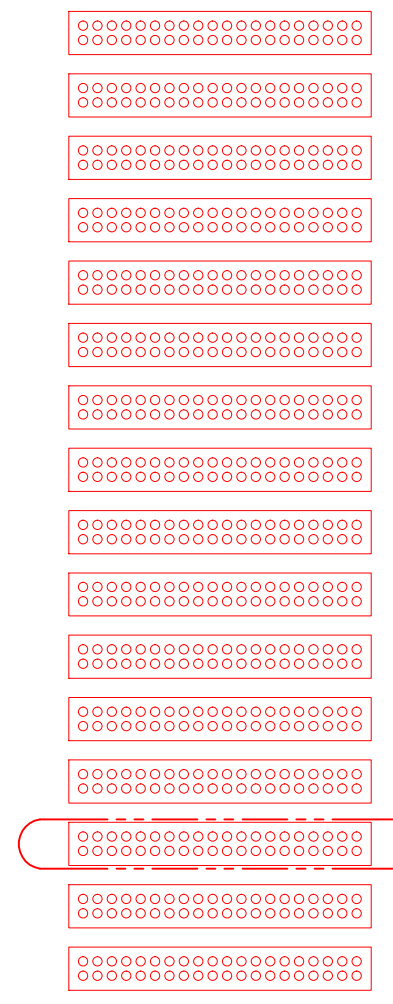
PARTIAL SITE PLAN-PAD-MEDIUM STAD

5000 MTU PILOT ISF-SPADB

TO16-S3-SPAD-SP-3



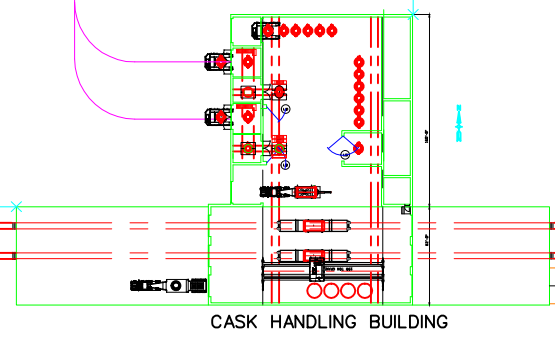
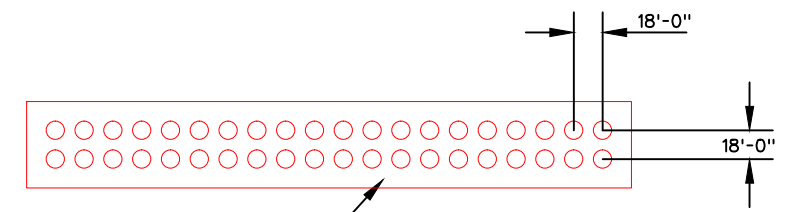
RADIATION
AREA BOUNDARY



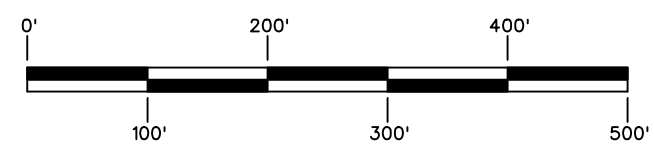
SEE DETAIL-1

2 ROWS OF 20 OVERPACKS

DETAIL-1
TYP 16 PLCS

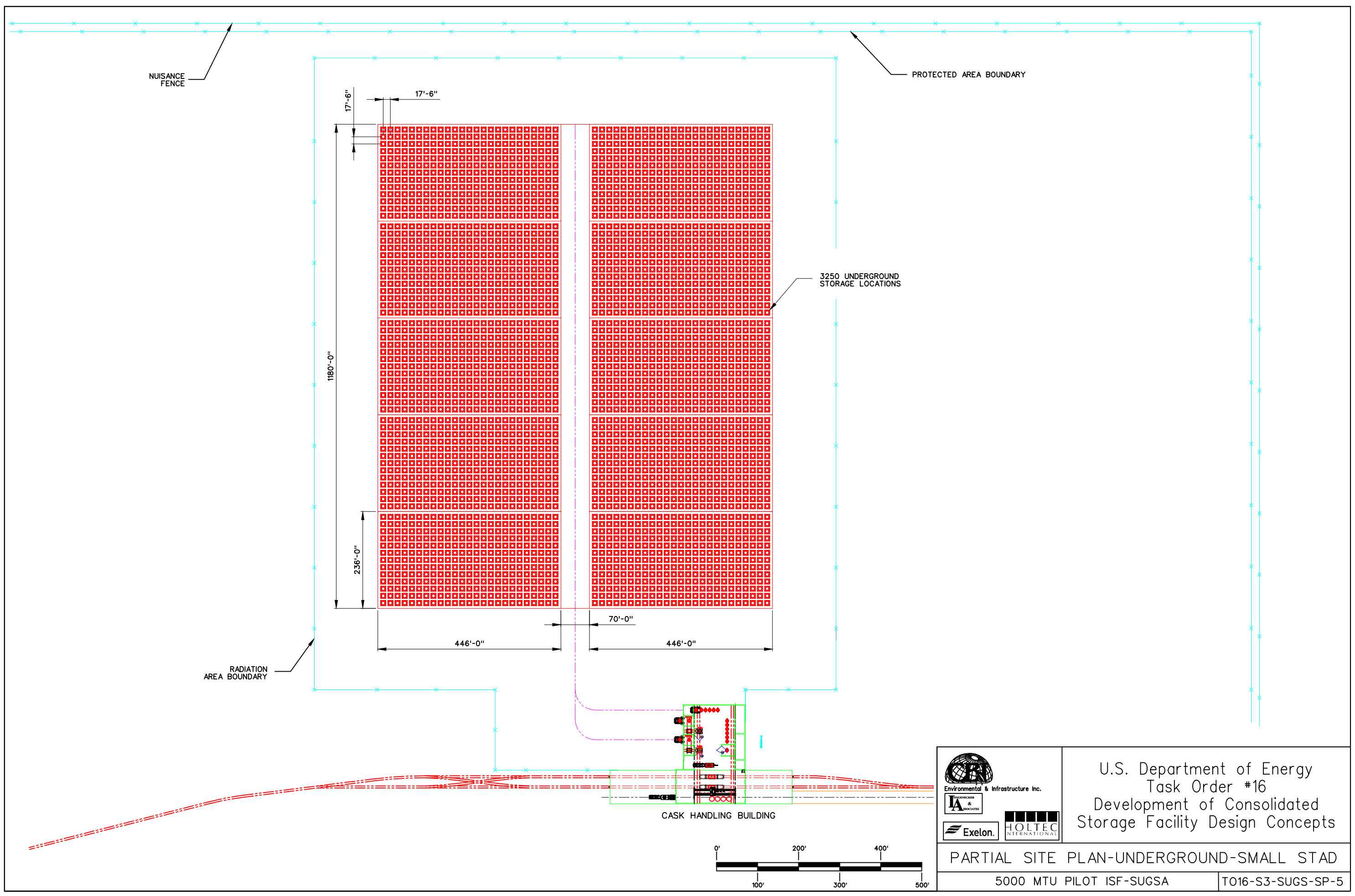


CASK HANDLING BUILDING



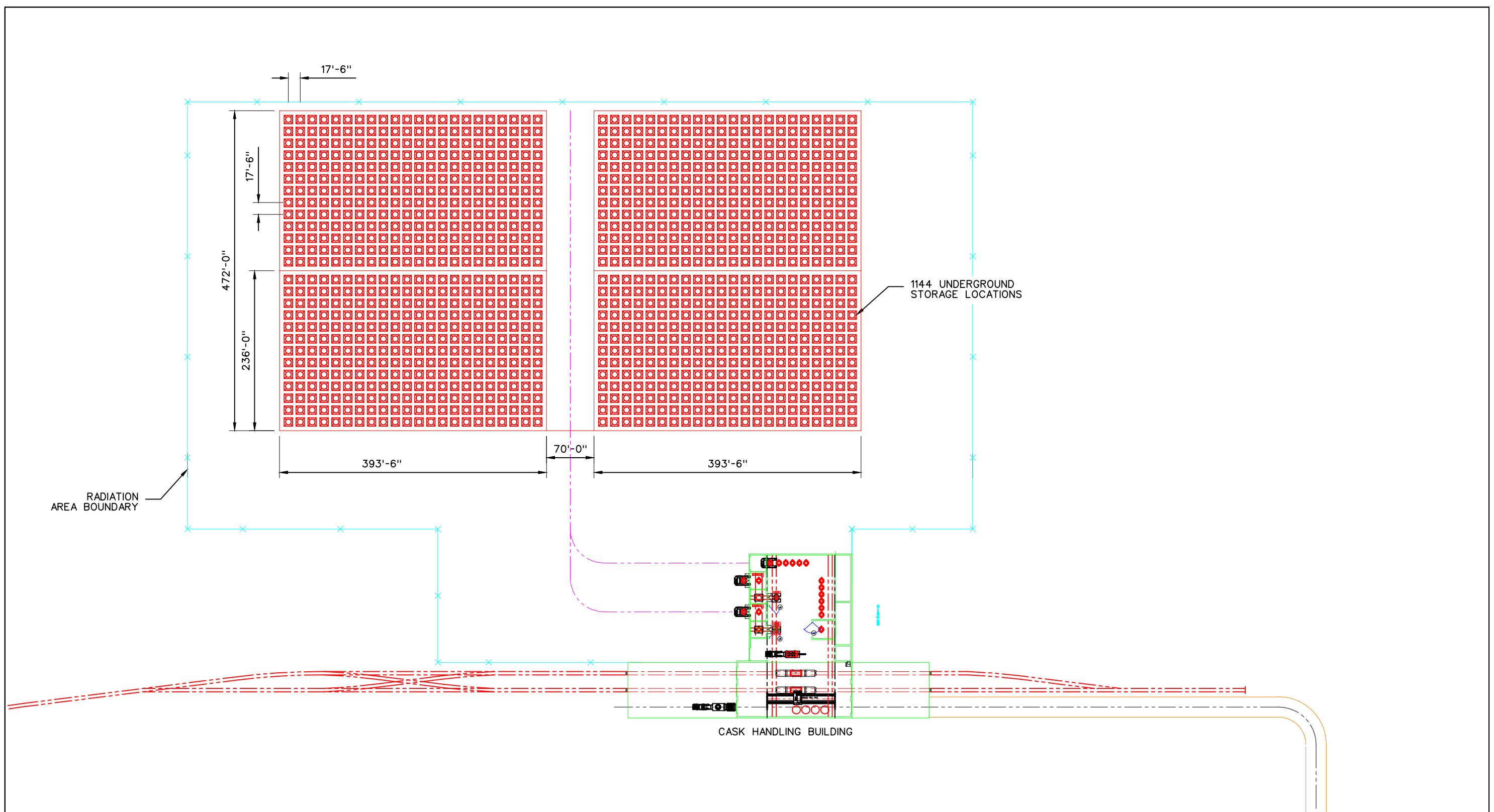
U.S. Department of Energy
Task Order #16
Development of Consolidated
Storage Facility Design Concepts

PARTIAL SITE PLAN-PAD-LARGE STAD
5000 MTU PILOT ISF-SPADC | T016-S3-SPAD-SP-4

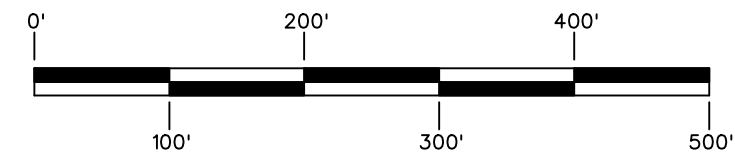


U.S. Department of Energy
 Task Order #16
 Development of Consolidated
 Storage Facility Design Concepts

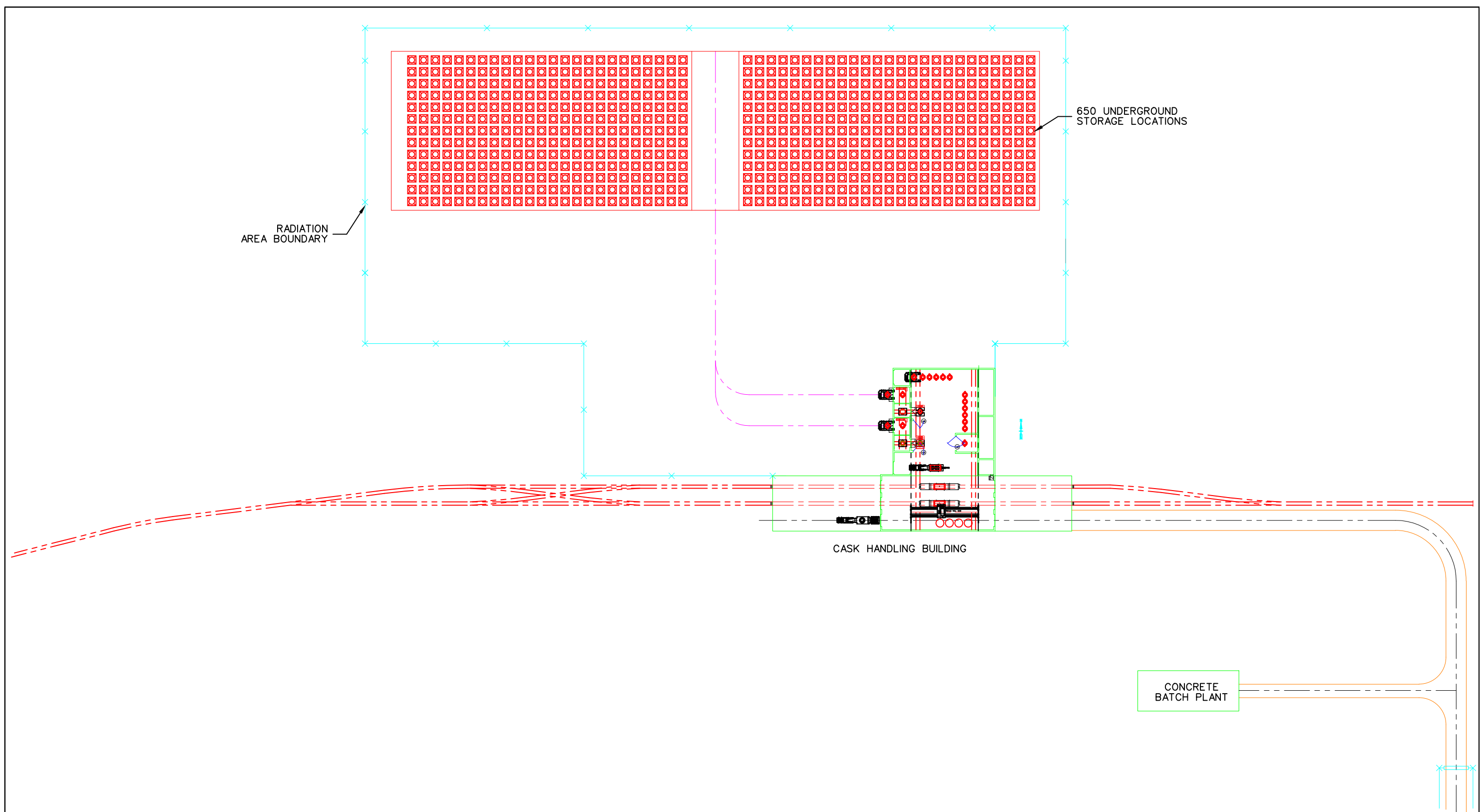
PARTIAL SITE PLAN-UNDERGROUND-SMALL STAD
 5000 MTU PILOT ISF-SUGSA | T016-S3-SUGS-SP-5



U.S. Department of Energy
 Task Order #16
 Development of Consolidated
 Storage Facility Design Concepts



PARTIAL SITE PLAN-UNDERGROUND-MEDIUM STAD
 5000 MTU PILOT ISF-SUGSB | T016-S3-SUGS-SP-6

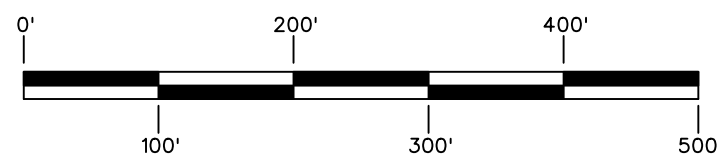


RADIATION
AREA BOUNDARY

650 UNDERGROUND
STORAGE LOCATIONS

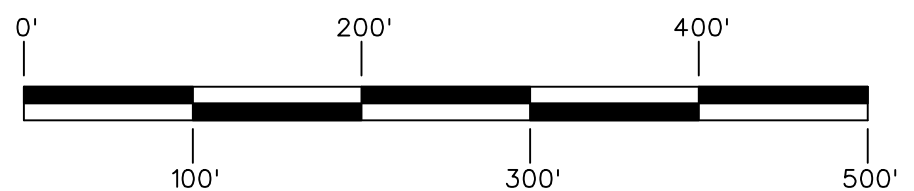
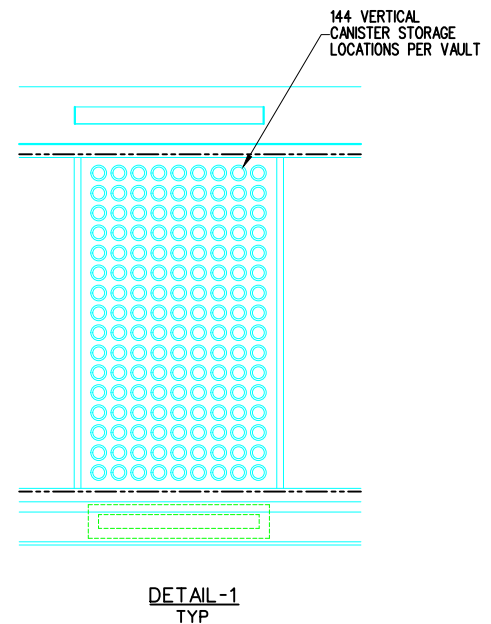
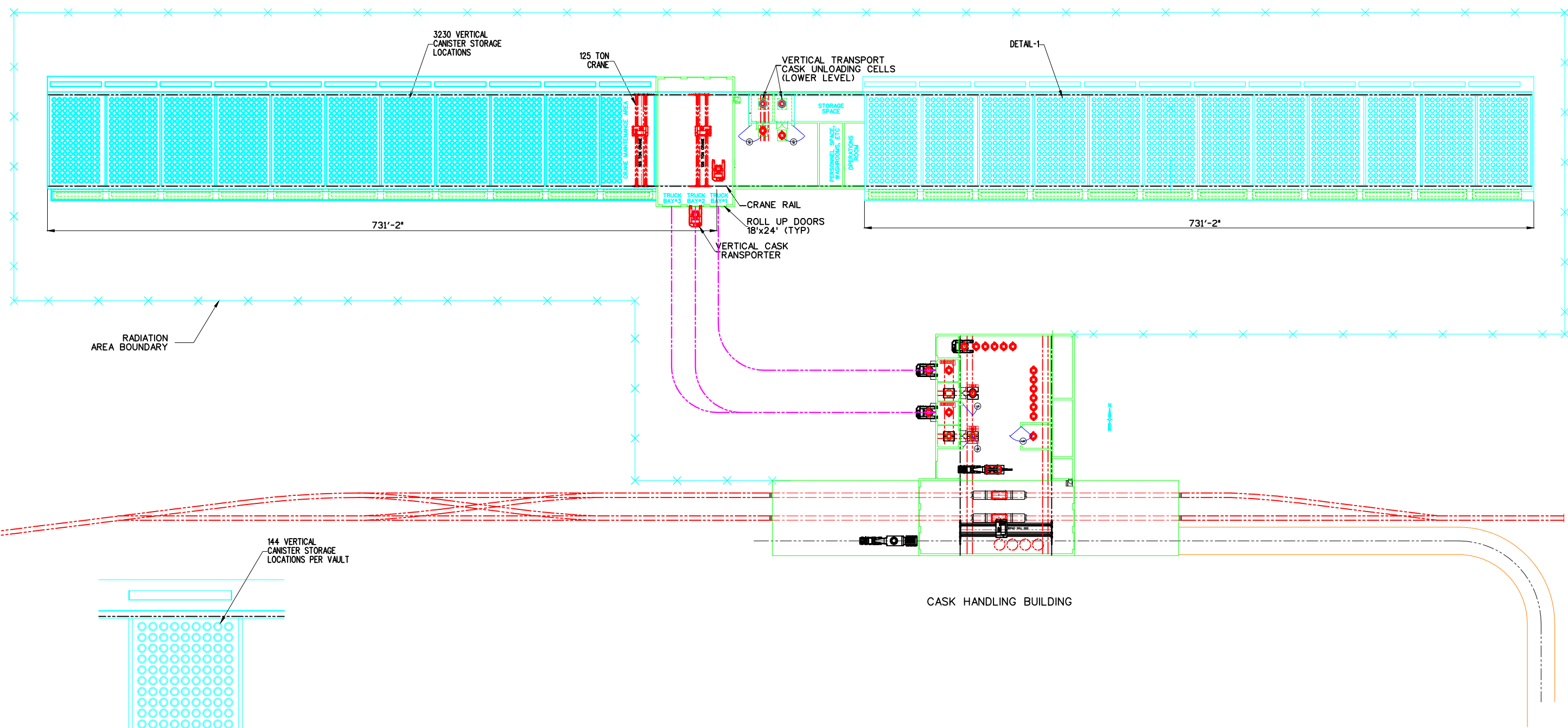
CASK HANDLING BUILDING

CONCRETE
BATCH PLANT



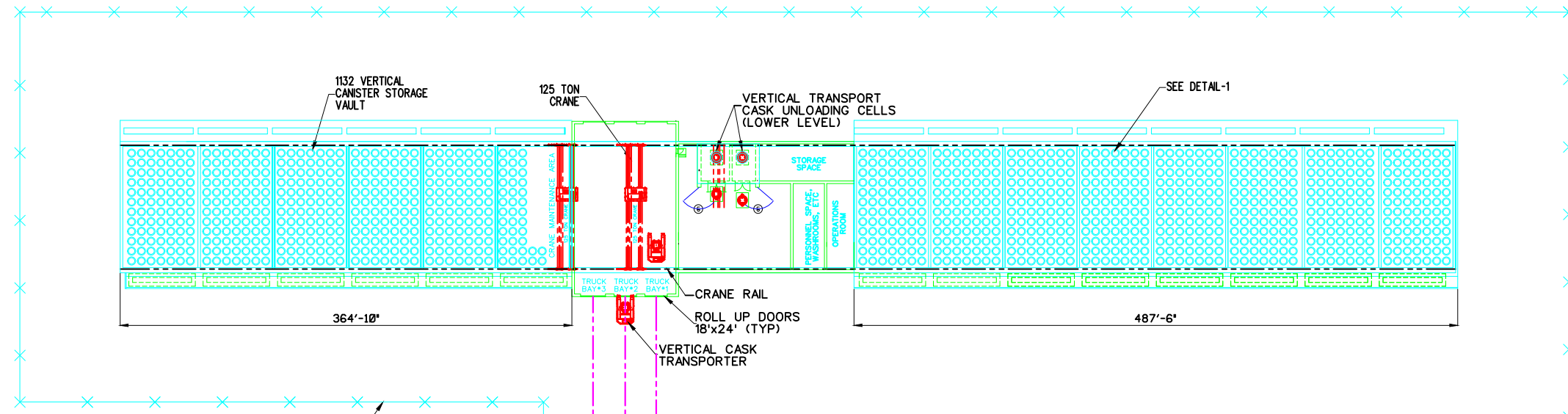
U.S. Department of Energy
Task Order #16
Development of Consolidated
Storage Facility Design Concepts

PARTIAL SITE PLAN-UNDERGROUND-LARGE STAD
5000 MTU PILOT ISF-SUGSC | T016-S3-SUGS-SP-7



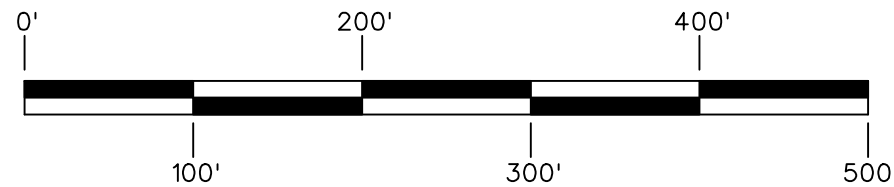
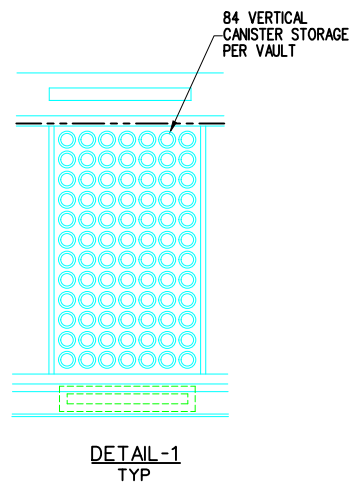
U.S. Department of Energy
 Task Order #16
 Development of Consolidated
 Storage Facility Design Concepts

PARTIAL SITE PLAN-VAULT-SMALL STAD
 5000 MTU PILOT ISF-SAGVA, SBGVA | T016-S3-SBGV-SP-8



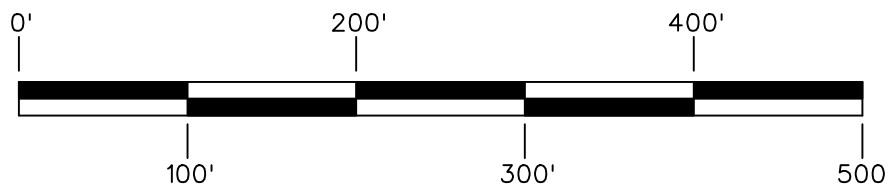
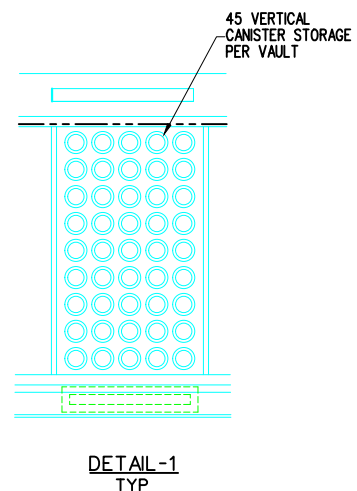
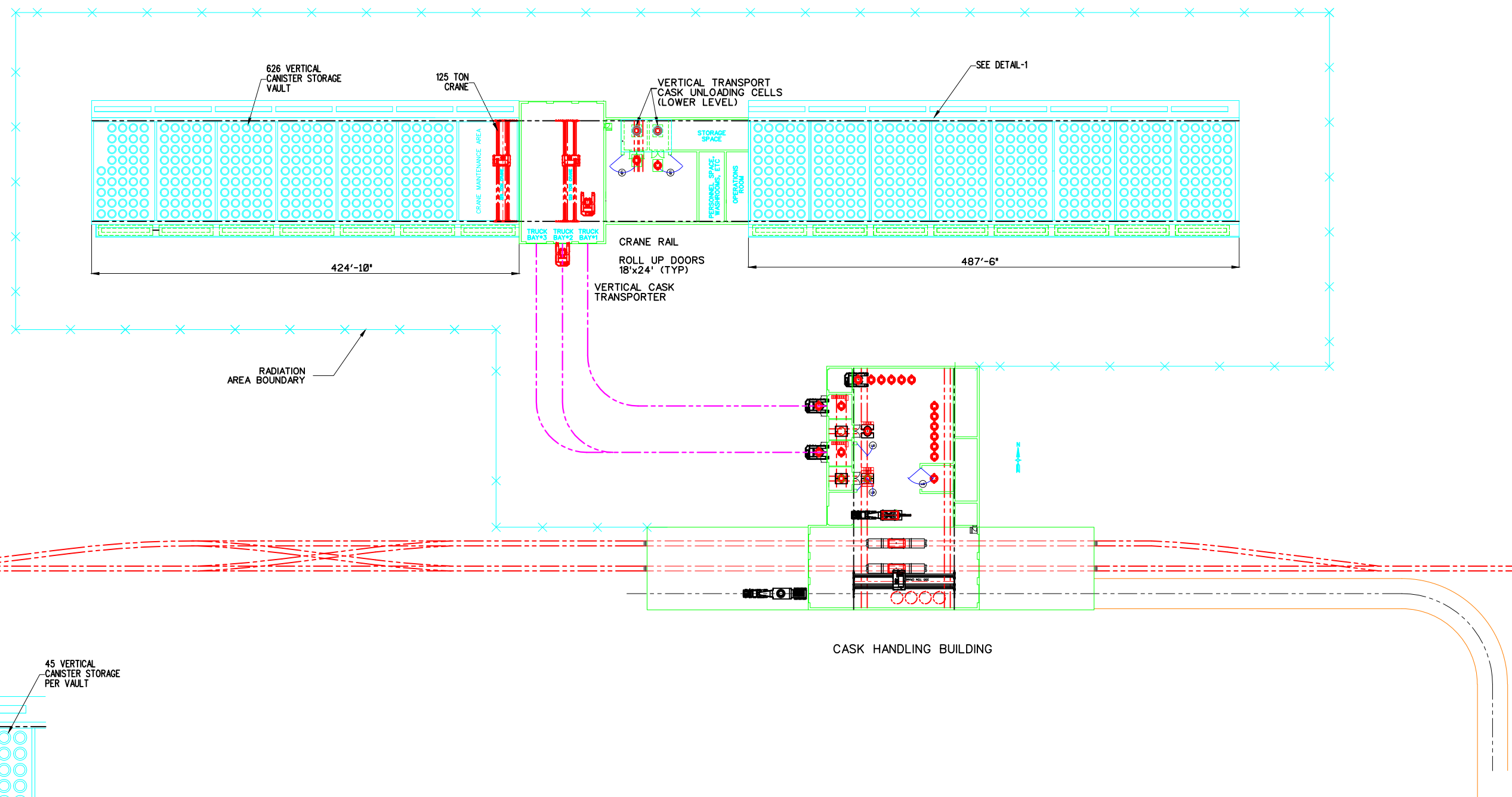
RADIATION
AREA
BOUNDARY

CASK HANDLING BUILDING



U.S. Department of Energy
Task Order #16
Development of Consolidated
Storage Facility Design Concepts

PARTIAL SITE PLAN-VAULT-MEDIUM STAD
5000 MTU PILOT ISF-SAGVB, SBGVB | T016-S3-SBGV-SP-9



U.S. Department of Energy
 Task Order #16
 Development of Consolidated
 Storage Facility Design Concepts

PARTIAL SITE PLAN-VAULT-LARGE STAD

5000 MTU PILOT ISF-SAGVC, SBGVC

T016-S3-SBGV-SP-10