
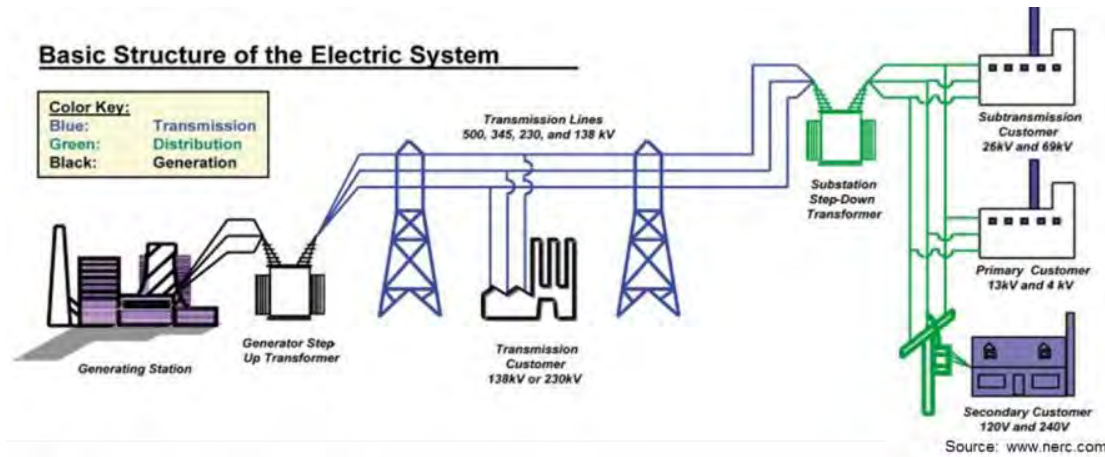


Electric Vehicle Infrastructure

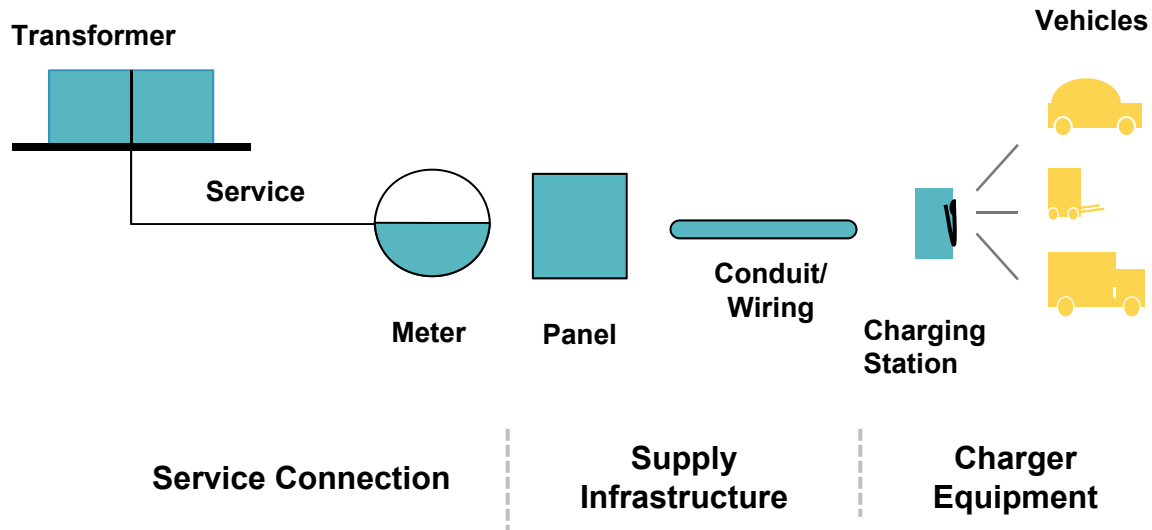
Energy Lawyers and Contracting Officers Forum
November 16, 2017
Ontario, CA

A solid blue horizontal bar spanning the width of the slide, located at the bottom.

Charging Infrastructure

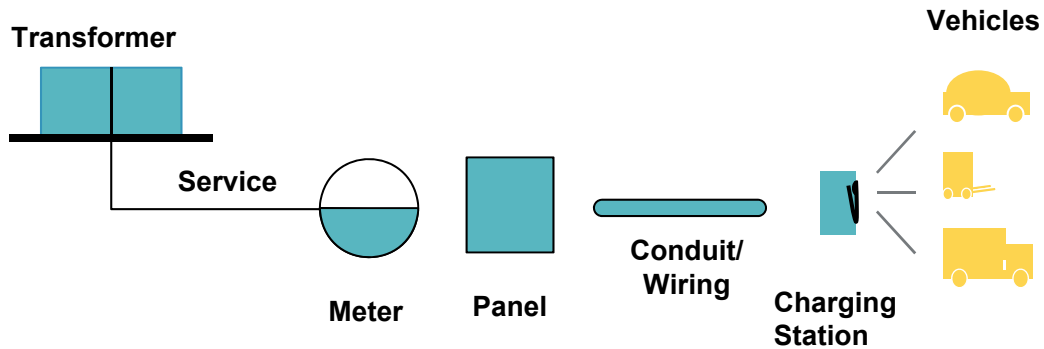


Electric Grid



Charging Infrastructure

Program Approaches



Service Connection	Supply Infrastructure	Charger Equipment	
Electric Company	Customer		<i>Business As Usual</i>
Electric Company		Customer	<i>"Make Ready"</i>
Electric Company	Customer	Electric Company	<i>Charger Only</i>
Electric Company			<i>Full Ownership</i>

Policy Approaches

Market acceleration to meet state-level goals (e.g., ZEV)

- California (SDG&E, PG&E, SCE)
- Massachusetts (Eversource, National Grid)
- Maryland stakeholder process
- Rhode Island stakeholder process

Legislative enabling policy

- Utah (SB 115 → Rocky Mountain Power)
- Oregon (SB 1547 → Portland General Electric, Pacific Power)
- Washington (HB 1853 → Avista)
- California (SB 350 → SDG&E, PG&E, SCE)
- Nevada (SB 145)

Customer need / market growth

- Indiana (Indianapolis Power & Light)
- Missouri (KCP&L, Ameren)
- Kansas (KCP&L)
- Georgia (Georgia Power)
- Michigan (Consumers Energy → technical conference)
- Hawaii (Hawaiian Electric)
- Kentucky (LG&E and KU)
- Florida (Gulf Power, Duke Energy)
- Ohio (AEP Ohio)
- DC (Pepco)

The Edison Electric Institute (EEI) is the association that represents the U.S. investor-owned electric industry. Our members provide electricity for 220 million Americans, operate in all 50 states and the District of Columbia, and directly employ more than 500,000 workers. Safe, reliable, affordable, and clean electricity powers the economy and enhances the lives of all Americans.

The EEI membership also includes dozens of international electric companies as International Members, and hundreds of industry suppliers and related organizations as Associate Members.

Since 1933, EEI has provided public policy leadership, strategic business intelligence, and essential conferences and forums for the energy industry.

For more information, visit our Web site at www.eei.org.

Kellen Schefter
kschefter@eei.org

